

# PRODUCT INFORMATION PACKET

Model No: 405TTDS7697

Catalog No: Y211

Other Purpose Motor, 60 HP, 3 Ph, 60 Hz, 460/796 V, 1200 RPM, 405T Frame, DP



Regal and are trademarks of Regal Rexnord Corporation or one of its affiliated companies.  
©2022 Regal Rexnord Corporation, All Rights Reserved. MC017097E

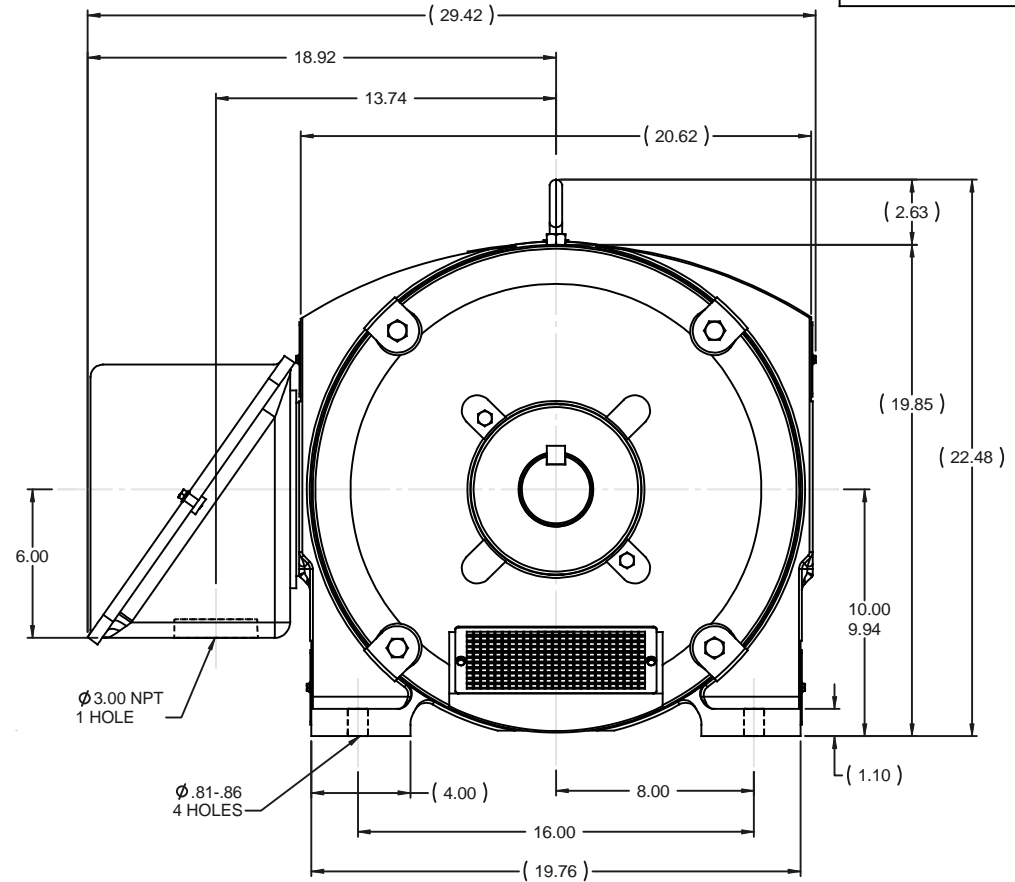
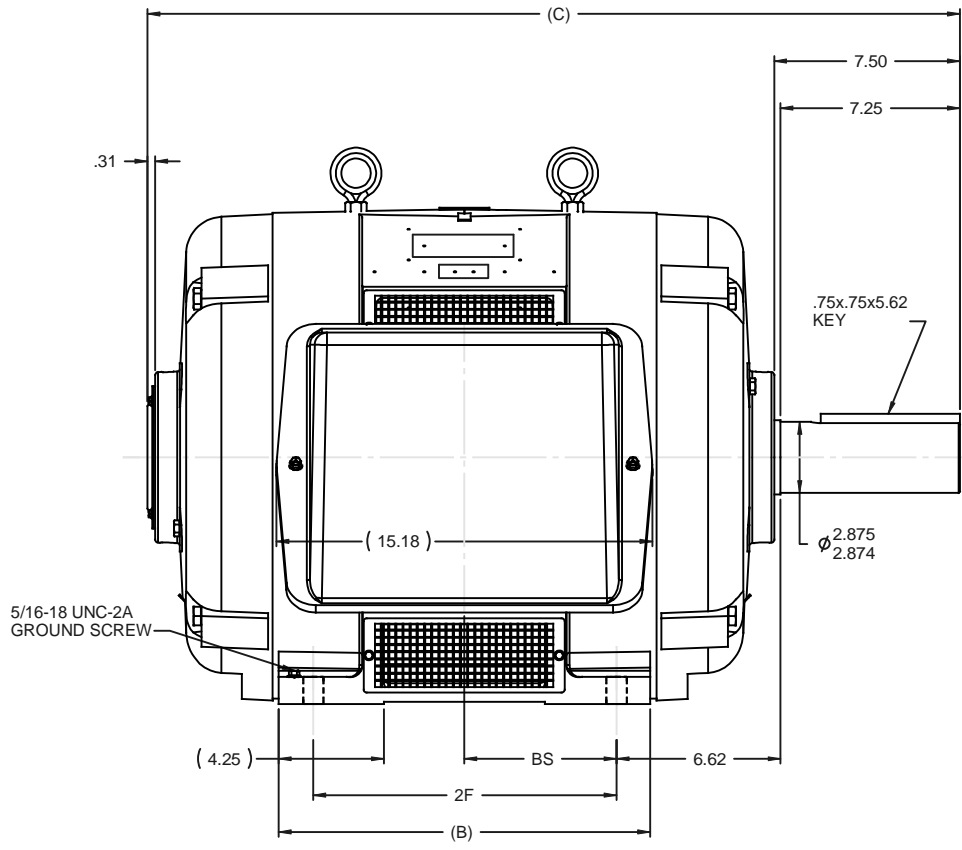
### Nameplate Specifications

Output HP	<b>60 Hp</b>	Output KW	<b>45.0 kW</b>
Frequency	<b>60 Hz</b>	Voltage	<b>460/796 V</b>
Current	<b>71.0/41.0 A</b>	Speed	<b>1115 rpm</b>
Service Factor	<b>1.15</b>	Phase	<b>3</b>
Efficiency	<b>87.5 %</b>	Power Factor	<b>90.5</b>
Duty	<b>Oil Well</b>	Insulation Class	<b>F</b>
Design Code	<b>D</b>	KVA Code	<b>G</b>
Frame	<b>405T</b>	Enclosure	<b>Drip Proof</b>
Thermal Protection	<b>No Protection</b>	Ambient Temperature	<b>40 °C</b>
Drive End Bearing Size	<b>6316</b>	Opp Drive End Bearing Size	<b>6316</b>
UL	<b>No</b>	CSA	<b>N</b>
CE	<b>N</b>	IP Code	<b>22</b>
Number of Speeds	<b>1</b>		

### Technical Specifications

Electrical Type	<b>Squirrel Cage Induction Run</b>	Starting Method	<b>Across The Line</b>
Poles	<b>6</b>	Rotation	<b>Reversible</b>
Resistance Main	<b>.136 Ohms</b>	Mounting	<b>Rigid Base</b>
Motor Orientation	<b>Horizontal</b>	Drive End Bearing	<b>Ball</b>
Opp Drive End Bearing	<b>Ball</b>	Frame Material	<b>Cast Iron</b>
Shaft Type	<b>T</b>	Overall Length	<b>34.31 in</b>
Frame Length	<b>17.00 in</b>	Shaft Diameter	<b>2.875 in</b>
Shaft Extension	<b>7.5 in</b>	Assembly/Box Mounting	<b>F2/F1 Capable</b>
Connection Drawing	<b>A-EE7304H</b>	Outline Drawing	<b>B-SS513937-1700</b>

This is an uncontrolled document once printed or downloaded and is subject to change without notice. Date Created:09/07/2022

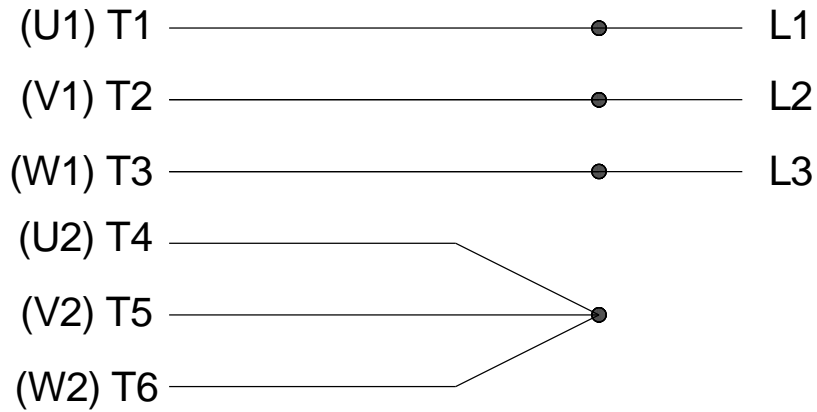


- NOTES:  
 1- BOX CAN BE ROTATED IN 90° STEPS  
 2- BOX CAN BE MOUNTED ON OPPOSITE SIDE BY REMOVING BRACKETS AND TURNING FRAME 180°  
 3- NAMEPLATES TO BE READ FROM CONDUIT BOX SIDE OF MOTOR

DASH	FRAME	B	C	2F	BS
1550	404T	15.00	32.81	12.25	6.12
1700	405T	16.50	34.31	13.75	6.88

		TOLERANCES UNLESS SPECIFIED		MARATHON ELECTRIC		DRAWN DA 02-06-1991
		DEC	INCHES			CHK TB 02-11-1991
4	C'BOX LEAD HOLE WAS Ø2.50 NPT 2 HOLES CN 32922	DRS 12-07-2004	ML	x	±.1	APPR ML 02-11-1991
3	UPDATED C'BOX GEOMETRY CN 28063	DRS 12-07-2004	.XX		±.03	SCALE 1:5
2	ADDED SCREENS TO FRONT & REAR BRACKETS 4041416	DJK 06-18-1993	.XXX		±.005	REF
1	NEW DRAWING CN 13005	DA 02-06-1991	.XXX		±.0005	FMF
NO	REVISION	BY & DATE	CHK	ANG	±7'30"	FINISH
THIS DRAWING IN DESIGN AND DETAIL IS OUR PROPERTY AND MUST NOT BE USED EXCEPT IN CONNECTION WITH OUR WORK. ALL RIGHTS OF DESIGN AND INVENTION ARE RESERVED. THIS IS AN ELECTRONICALLY GENERATED DOCUMENT - DO NOT SCALE THIS PRINT		RFP	CAD FILE SS513937		SIZE	DRAWING NO
		DIST	WA	SIZE	<b>B</b>	<b>SS513937</b>
						REV
						<b>4</b>

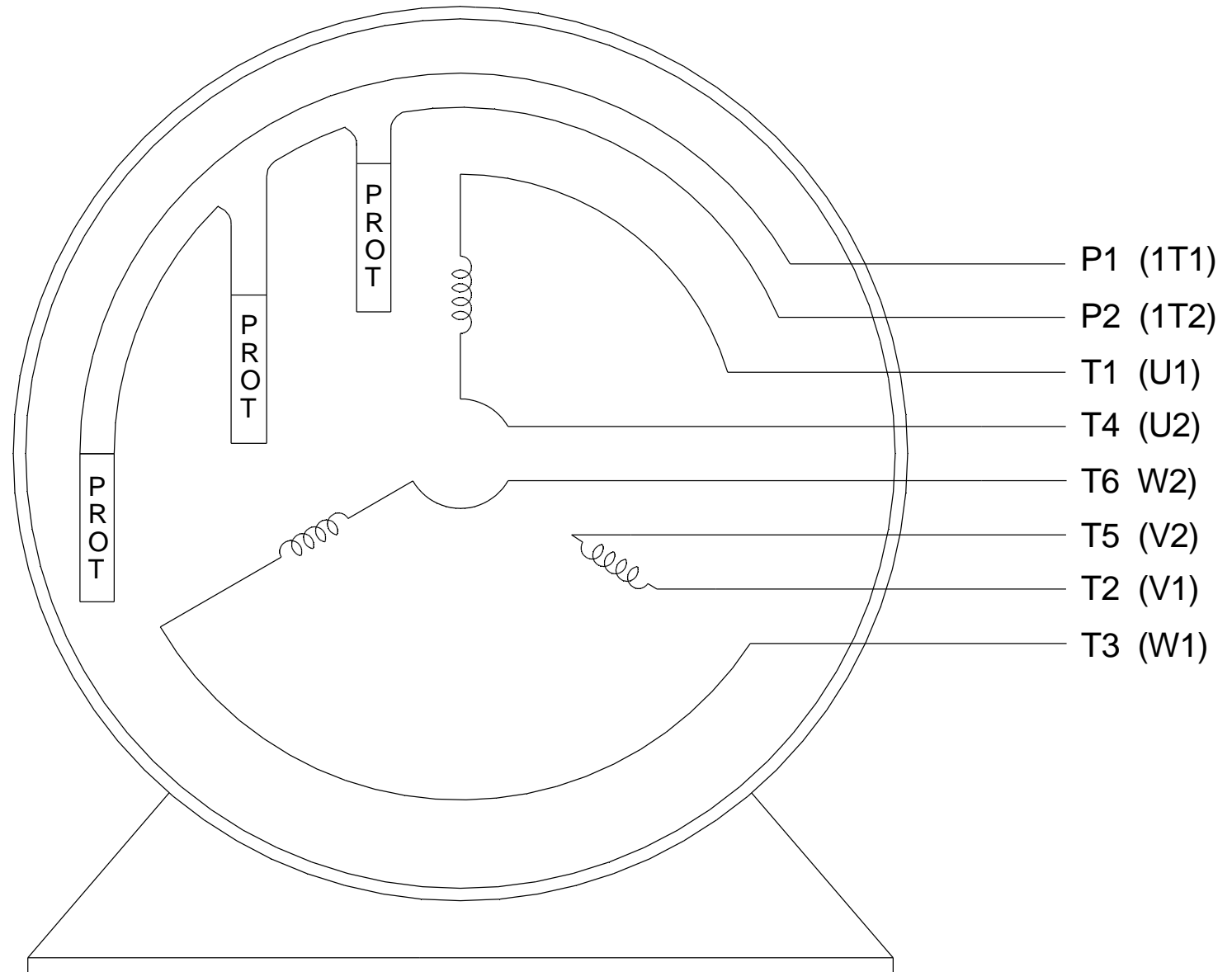
"Y" RUN




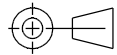
"Δ" BOOST



WHEN MORE THAN ONE  
PROTECTOR IS USED,  
CONNECT IN SERIES



VIEW OF TERMINAL END  
3 ∅ DUAL VOLTAGE MOTOR

DRAWING REVISION A	REVISION BY HV	DATE 12-17-2014	TOLERANCES UNLESS OTHERWISE SPECIFIED: DEC. INCH mm ANGLE .X ±0.1 [±2.5] ±0.5° .XX ±0.01 [±0.25] XXX ±0.005 [±0.127] .XXXX ±0.0005 [±0.0127] REMOVE BURRS & BREAK SHARP EDGES: .003/.015 [.076/.381] CORNER FILLETS: .02 [.51] MACHINED SURFACES: 125/3.2 INCH mm mm SHOWN IN [BRACKETS]	DRAWN BY BLR	 Regal Beloit America, Inc.
ECO ECO-0065198	APPROVED BY EMH	DATE 12-17-2014		DATE 03-07-1998	
ECO DESCRIPTION REDRAWN IN SOLIDWORKS, REMOVED GRND. NOTE				APPROVED BY ML	DESCRIPTION <b>CONN DIAGRAM-EXTERNAL</b> DUAL VOLTAGE - 3 PHASE - 6 LEAD DELTA - Y
COPYRIGHT REGAL BELOIT AMERICA, INC. ALL RIGHTS RESERVED. PROPRIETARY AND CONFIDENTIAL INFORMATION - THIS DOCUMENT IS THE PROPERTY OF REGAL BELOIT AMERICA, INC. ("OWNER") AND CONTAINS OWNER'S PROPRIETARY INFORMATION. ANY PERSON, CORPORATION OR OTHER FIRM RECEIVING IT IS DEEMED, BY RECEIVING IT, TO AGREE THAT IT, AND/OR ANY PART OF IT, SHALL NOT BE DISCLOSED TO ANY PERSON, CORPORATION OR OTHER ENTITY, DUPLICATED, AND/OR USED, EXCEPT AS EXPRESSLY APPROVED IN WRITING IN ADVANCE BY OWNER. THIS DOCUMENT SHALL BE RETURNED TO OWNER UPON REQUEST. IT MAY BE SUBJECT TO CERTAIN RESTRICTIONS UNDER APPLICABLE EXPORT CONTROL LAWS AND REGULATIONS.				DATE 03-23-1998	MATERIAL
				REFERENCE	PROCESS/FINISH
				THIRD ANGLE PROJECTION 	SIZE A
				DRAWING NUMBER <b>EE7304H</b>	SHEET 1 OF 1