

PRODUCT INFORMATION PACKET

Model No: 405TTDS7354

Catalog No: M850

Other Purpose Motor, 125 HP, 3 Ph, 60 Hz, 460 V, 1800 RPM, 405HPV Frame, DP

Regal and are trademarks of Regal Rexnord Corporation or one of its affiliated companies.
©2022 Regal Rexnord Corporation, All Rights Reserved. MC017097E

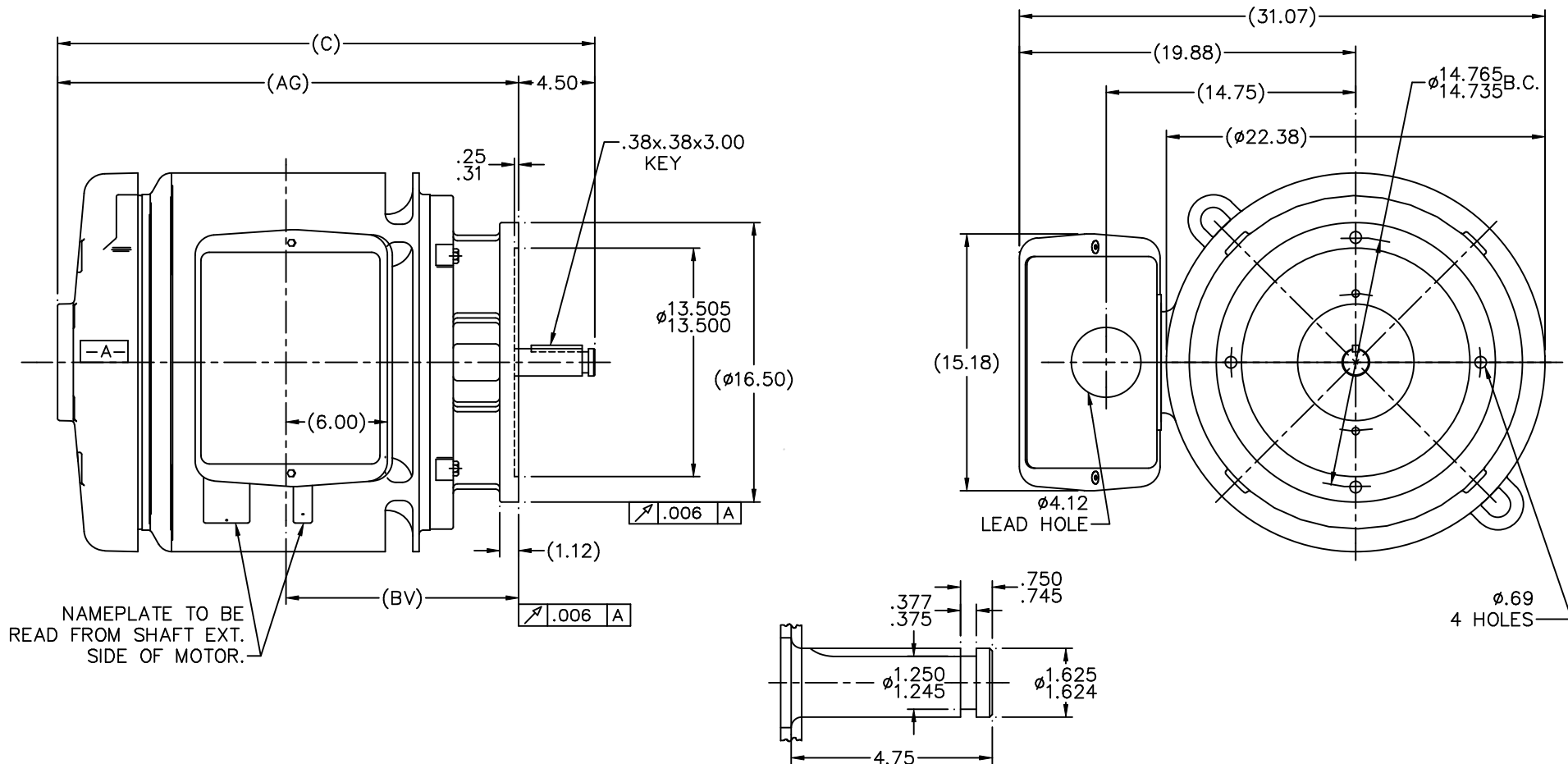


Nameplate Specifications

Output HP	125 Hp	Output KW	93.0 kW
Frequency	60 Hz	Voltage	460 V
Current	146.0 A	Speed	1780 rpm
Service Factor	1.15	Phase	3
Efficiency	93.6 %	Power Factor	86
Duty	Continuous	Insulation Class	B
Design Code	B	KVA Code	F
Frame	405HPV	Enclosure	Drip Proof
Thermal Protection	No Protection	Ambient Temperature	40 °C
Drive End Bearing Size	6314	Opp Drive End Bearing Size	6314
UL	Recognized	CSA	Y
CE	Y	IP Code	12
Number of Speeds	1		

Technical Specifications

Electrical Type	Squirrel Cage Induction Run	Starting Method	Across The Line
Poles	4	Rotation	Reversible
Resistance Main	.065 Ohms	Mounting	Round
Motor Orientation	Shaft Down	Drive End Bearing	Ball
Opp Drive End Bearing	Ball	Frame Material	Cast Iron
Shaft Type	HP	Overall Length	31.75 in
Frame Length	17.00 in	Shaft Diameter	1.625 in
Shaft Extension	4.5 in	Assembly/Box Mounting	F1/F2 CAPABLE
Connection Drawing	A-EE7300U	Outline Drawing	B-SS504367-1700



NAMEPLATE TO BE READ FROM SHAFT EXT. SIDE OF MOTOR.

DETAIL OF SHAFT EXT.

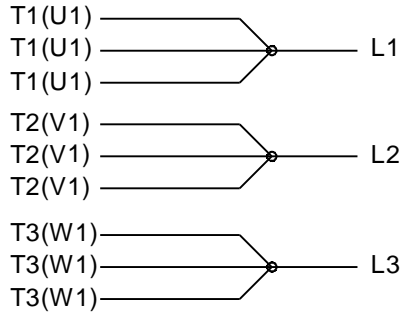
NOTE:
1. CONDUIT BOX CAN BE ROTATED IN 90° STEPS.

					TOLERANCES UNLESS SPECIFIED				DRAWN KL 10-21-1993		
					DEC.	INCHES			CHK ML 10-21-1993		
					12	UPDATED DRAWING 400 FR. WAS 400 HP	RJW 05-07-2007	ML .X ±.1	TITLE OUTLINE		
					11	REVISED FRONT BRKT. PER CASTING CHANGES CN29499	NJS 07-24-2001	.XX ±.03	400 FR. - DR. PR.		
					10	UPDATED C'BOX GEOMETRY CN28063	NJS 02-15-2000	.XXX ±.005	SCALE 1=6		
					9	REDRAWN ON CADD - NO CHANGE 4086472	KL 10-28-1993	.XXXX ±.0005	REF		
					NO. REVISION		CHK ANG ±7'30"	FINISH		FMF	
					BY & DATE		RFP	CAD FILE ss504367		PREV	
					THIS DRAWING IN DESIGN AND DETAIL IS OUR PROPERTY AND MUST NOT BE USED EXCEPT IN CONNECTION WITH OUR WORK ALL RIGHTS OF DESIGN AND INVENTION ARE RESERVED THIS IS AN ELECTRONICALLY GENERATED DOCUMENT - DO NOT SCALE THIS PRINT						
					DIST WA		SIZE B		DRAWING NO. PAGE OF		
									SS504367 12		
DASH	FRAME	C	AG	BV							
1700	400FR	31.75	27.25	13.75							

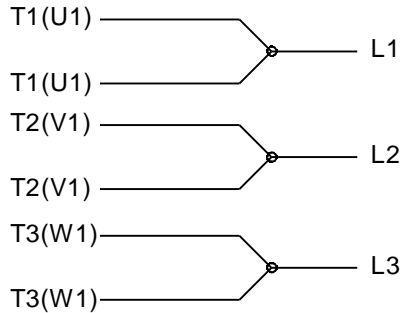
ERROR: undefined
OFFENDING COMMAND: Psc

STACK:

IF MOTOR HAS 9 LEADS

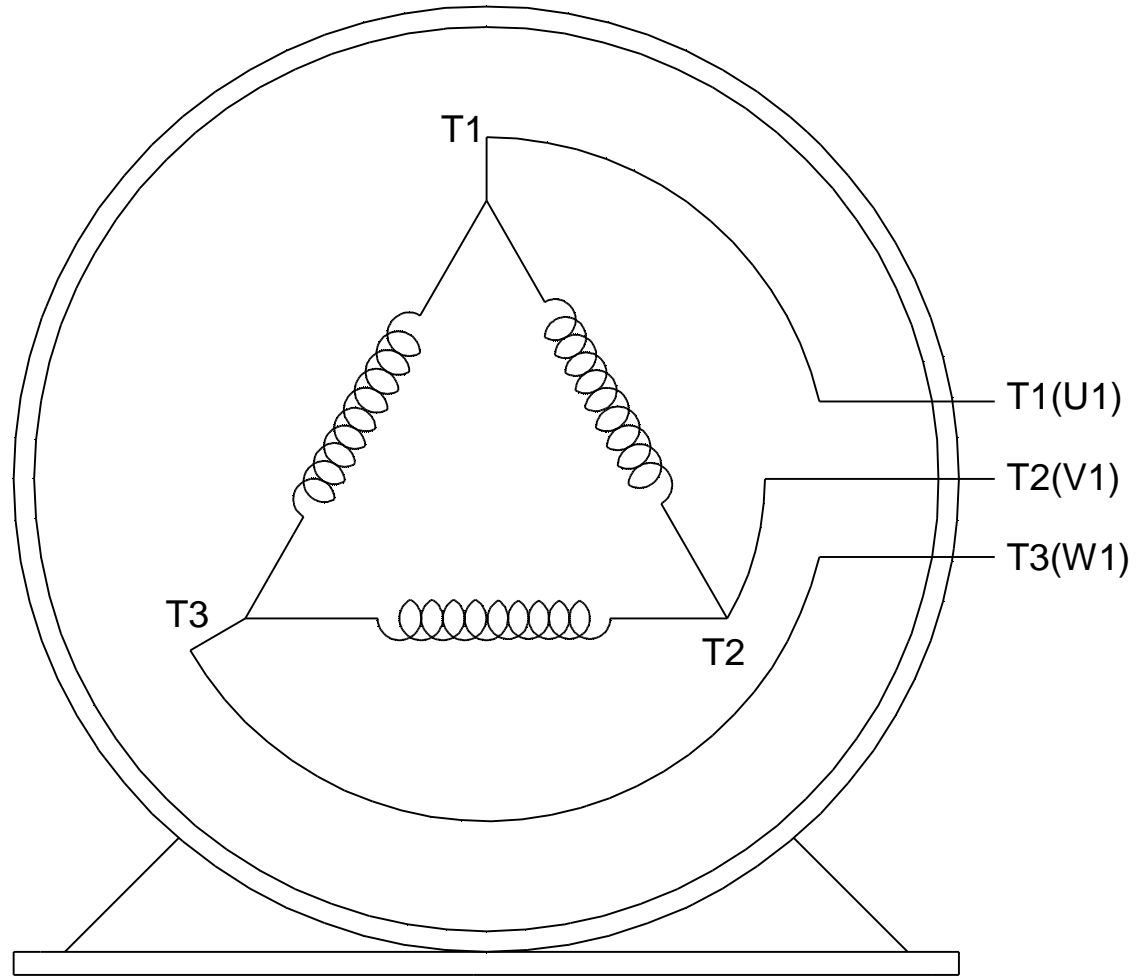
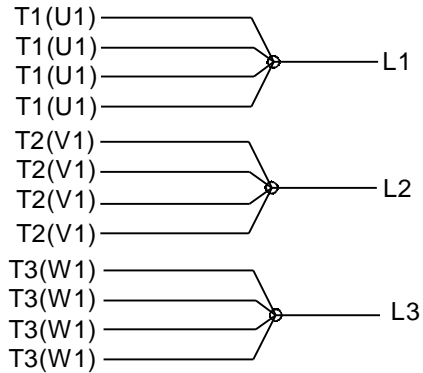


IF MOTOR HAS 6 LEADS



A-9806 DECAL IF CALLED FOR

IF MOTOR HAS 12 LEADS



VIEW OF TERMINAL END

DRAWING REVISION L	REVISION BY AJW	DATE 05-04-2015	TOLERANCES UNLESS OTHERWISE SPECIFIED:	DRAWN BY DRS	Regal Beloit America, Inc.																			
ECO ECO-0077067	APPROVED BY EWH	DATE 05-05-2015	<table style="font-size: small; border-collapse: collapse;"> <tr> <td><u>DEC.</u></td> <td><u>INCH</u></td> <td><u>mm</u></td> <td><u>ANGLE</u></td> </tr> <tr> <td>.X</td> <td>±0.1</td> <td>[±2.5]</td> <td>±7' 30"</td> </tr> <tr> <td>.XX</td> <td>±0.02</td> <td>[±0.51]</td> <td></td> </tr> <tr> <td>.XXX</td> <td>±0.005</td> <td>[±0.127]</td> <td></td> </tr> <tr> <td>.XXXX</td> <td>±0.0005</td> <td>[±0.0127]</td> <td></td> </tr> </table>	<u>DEC.</u>		<u>INCH</u>	<u>mm</u>	<u>ANGLE</u>	.X	±0.1	[±2.5]	±7' 30"	.XX	±0.02	[±0.51]		.XXX	±0.005	[±0.127]		.XXXX	±0.0005	[±0.0127]	
<u>DEC.</u>	<u>INCH</u>	<u>mm</u>	<u>ANGLE</u>																					
.X	±0.1	[±2.5]	±7' 30"																					
.XX	±0.02	[±0.51]																						
.XXX	±0.005	[±0.127]																						
.XXXX	±0.0005	[±0.0127]																						
ECO DESCRIPTION UPDATED TO SOLIDWORKS			REMOVE BURRS & BREAK SHARP EDGES: .003/.015 [.076/.381] X 45° CORNER FILLETS: R.02 [.51] MACHINED SURFACES: 200 $\sqrt{\text{INCH}}$ 5.1 $\sqrt{\text{mm}}$ mm SHOWN IN [BRACKETS]	APPROVED BY GK	DESCRIPTION CONN DIAGRAM-EXTERNAL 3Ø SINDLE VOLTAGE																			
COPYRIGHT REGAL BELOIT AMERICA, INC. ALL RIGHTS RESERVED. PROPRIETARY AND CONFIDENTIAL INFORMATION - THIS DOCUMENT IS THE PROPERTY OF REGAL BELOIT AMERICA, INC. ("OWNER") AND CONTAINS OWNER'S PROPRIETARY INFORMATION. ANY PERSON, CORPORATION OR OTHER FIRM RECEIVING IT IS DEEMED, BY RECEIVING IT, TO AGREE THAT IT, AND/OR ANY PART OF IT, SHALL NOT BE DISCLOSED TO ANY PERSON, CORPORATION OR OTHER ENTITY, DUPLICATED, AND/OR USED, EXCEPT AS EXPRESSLY APPROVED IN WRITING IN ADVANCE BY OWNER. THIS DOCUMENT SHALL BE RETURNED TO OWNER UPON REQUEST. IT MAY BE SUBJECT TO CERTAIN RESTRICTIONS UNDER APPLICABLE EXPORT CONTROL LAWS AND REGULATIONS.				DATE 09-30-1996		MATERIAL	PROCESS/FINISH																	
				REFERENCE	SIZE A	DRAWING NUMBER EE7300U	SHEET 1 OF 1																	