

PRODUCT INFORMATION PACKET

Model No: 405TTDS7301

Catalog No: M853

Other Purpose Motor, 150 HP, 3 Ph, 60 Hz, 460 V, 3600 RPM, 405HPV Frame, DP

Regal and are trademarks of Regal Rexnord Corporation or one of its affiliated companies.
©2022 Regal Rexnord Corporation, All Rights Reserved. MC017097E

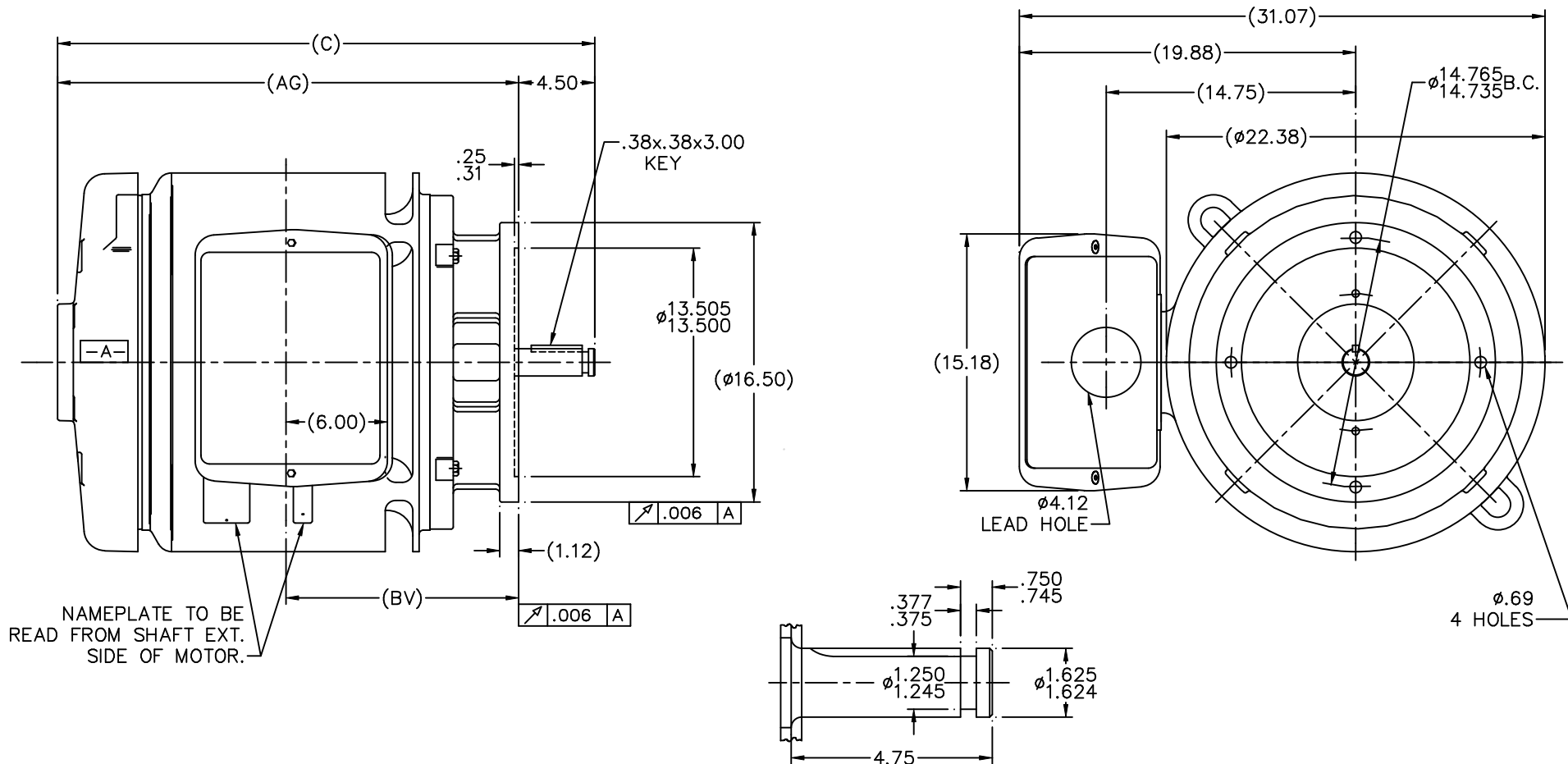


Nameplate Specifications

Output HP	150 Hp	Output KW	112.0 kW
Frequency	60 Hz	Voltage	460 V
Current	167.0 A	Speed	3565 rpm
Service Factor	1.15	Phase	3
Efficiency	93 %	Power Factor	90.5
Duty	Continuous	Insulation Class	B
Design Code	B	KVA Code	G
Frame	405HPV	Enclosure	Drip Proof
Thermal Protection	No Protection	Ambient Temperature	40 °C
Drive End Bearing Size	6312	Opp Drive End Bearing Size	6312
UL	Recognized	CSA	Y
CE	Y	IP Code	12
Number of Speeds	1		

Technical Specifications

Electrical Type	Squirrel Cage Induction Run	Starting Method	Across The Line
Poles	2	Rotation	Reversible
Resistance Main	.061 Ohms	Mounting	Round
Motor Orientation	Shaft Down	Drive End Bearing	Ball
Opp Drive End Bearing	Ball	Frame Material	Cast Iron
Shaft Type	HP	Overall Length	31.75 in
Frame Length	17.00 in	Shaft Diameter	1.625 in
Shaft Extension	4.5 in	Assembly/Box Mounting	F1/F2 CAPABLE
Outline Drawing	B-SS504367-1700	Connection Drawing	A-EE7300U



NOTE:
1. CONDUIT BOX CAN BE ROTATED
IN 90° STEPS.

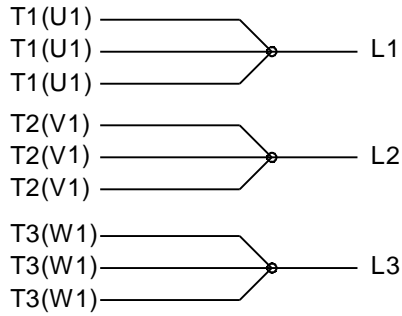
DETAIL OF SHAFT EXT.

					TOLERANCES UNLESS SPECIFIED		MARATHON ELECTRIC		DRAWN KL 10-21-1993							
					DEC.	INCHES			CHK	ML 10-21-1993						
					12	UPDATED DRAWING 400 FR. WAS 400 HP	RJW 05-07-2007	ML	.X	±.1	APPD TB 10-28-1993					
					11	REVISED FRONT BRKT. PER CASTING CHANGES CN29499	NJS 07-24-2001		.XX	±.03	SCALE 1=6					
					10	UPDATED C'BOX GEOMETRY CN28063	NJS 02-15-2000		.XXX	±.005	REF					
					9	REDRAWN ON CADD - NO CHANGE 4086472	KL 10-28-1993		.XXXX	±.0005	FMF					
					NO.	REVISION	BY & DATE	CHK	ANG	±7'30"	PREV					
					THIS DRAWING IN DESIGN AND DETAIL IS OUR PROPERTY AND MUST NOT BE USED EXCEPT IN CONNECTION WITH OUR WORK ALL RIGHTS OF DESIGN AND INVENTION ARE RESERVED THIS IS AN ELECTRONICALLY GENERATED DOCUMENT - DO NOT SCALE THIS PRINT					RFP	CAD FILE ss504367		SIZE	DRAWING NO.	PAGE OF	REV.
1700	400FR	31.75	27.25	13.75						DIST	WA	B	SS504367	12		

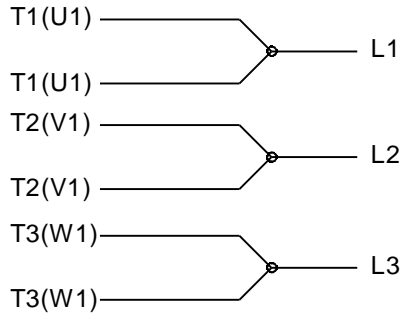
ERROR: undefined
OFFENDING COMMAND: Psc

STACK:

IF MOTOR HAS 9 LEADS

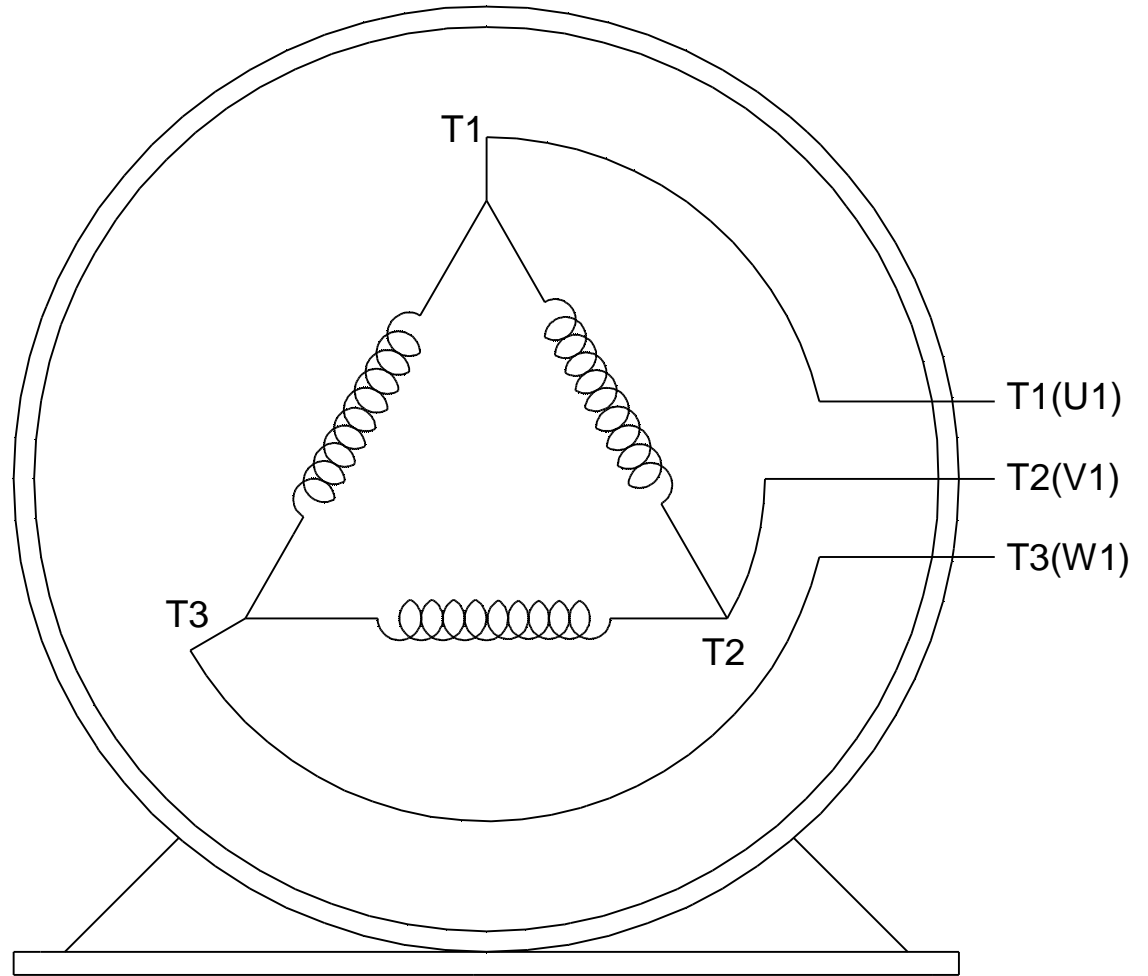
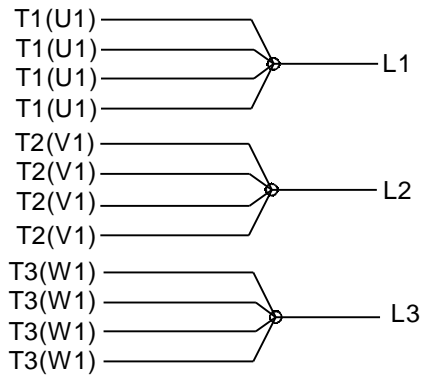


IF MOTOR HAS 6 LEADS



A-9806 DECAL IF CALLED FOR

IF MOTOR HAS 12 LEADS



VIEW OF TERMINAL END

DRAWING REVISION L	REVISION BY AJW	DATE 05-04-2015	TOLERANCES UNLESS OTHERWISE SPECIFIED:	DRAWN BY DRS	Regal Beloit America, Inc.																			
ECO ECO-0077067	APPROVED BY EWH	DATE 05-05-2015	<table style="width: 100%; border-collapse: collapse;"> <tr> <td style="text-align: center;"><u>DEC.</u></td> <td style="text-align: center;"><u>INCH</u></td> <td style="text-align: center;"><u>mm</u></td> <td style="text-align: center;"><u>ANGLE</u></td> </tr> <tr> <td style="text-align: center;">.X</td> <td style="text-align: center;">±0.1</td> <td style="text-align: center;">[±2.5]</td> <td style="text-align: center;">±7' 30"</td> </tr> <tr> <td style="text-align: center;">.XX</td> <td style="text-align: center;">±0.02</td> <td style="text-align: center;">[±0.51]</td> <td></td> </tr> <tr> <td style="text-align: center;">.XXX</td> <td style="text-align: center;">±0.005</td> <td style="text-align: center;">[±0.127]</td> <td></td> </tr> <tr> <td style="text-align: center;">.XXXX</td> <td style="text-align: center;">±0.0005</td> <td style="text-align: center;">[±0.0127]</td> <td></td> </tr> </table>	<u>DEC.</u>		<u>INCH</u>	<u>mm</u>	<u>ANGLE</u>	.X	±0.1	[±2.5]	±7' 30"	.XX	±0.02	[±0.51]		.XXX	±0.005	[±0.127]		.XXXX	±0.0005	[±0.0127]	
<u>DEC.</u>	<u>INCH</u>	<u>mm</u>	<u>ANGLE</u>																					
.X	±0.1	[±2.5]	±7' 30"																					
.XX	±0.02	[±0.51]																						
.XXX	±0.005	[±0.127]																						
.XXXX	±0.0005	[±0.0127]																						
ECO DESCRIPTION UPDATED TO SOLIDWORKS			REMOVE BURRS & BREAK SHARP EDGES: .003/.015 [.076/.381] X 45° CORNER FILLETS: R.02 [.51] MACHINED SURFACES: 200 $\sqrt{\text{INCH}}$ 5.1 $\sqrt{\text{mm}}$ mm SHOWN IN [BRACKETS]	APPROVED BY GK	DESCRIPTION CONN DIAGRAM-EXTERNAL 3Ø SINDLE VOLTAGE																			
				DATE 09-30-1996		MATERIAL	PROCESS/FINISH																	
COPYRIGHT REGAL BELOIT AMERICA, INC. ALL RIGHTS RESERVED. PROPRIETARY AND CONFIDENTIAL INFORMATION - THIS DOCUMENT IS THE PROPERTY OF REGAL BELOIT AMERICA, INC. ("OWNER") AND CONTAINS OWNER'S PROPRIETARY INFORMATION. ANY PERSON, CORPORATION OR OTHER FIRM RECEIVING IT IS DEEMED, BY RECEIVING IT, TO AGREE THAT IT, AND/OR ANY PART OF IT, SHALL NOT BE DISCLOSED TO ANY PERSON, CORPORATION OR OTHER ENTITY, DUPLICATED, AND/OR USED, EXCEPT AS EXPRESSLY APPROVED IN WRITING IN ADVANCE BY OWNER. THIS DOCUMENT SHALL BE RETURNED TO OWNER UPON REQUEST. IT MAY BE SUBJECT TO CERTAIN RESTRICTIONS UNDER APPLICABLE EXPORT CONTROL LAWS AND REGULATIONS.			THIRD ANGLE PROJECTION	REFERENCE	SIZE	DRAWING NUMBER	SHEET																	
					A	EE7300U	1 OF 1																	