

PRODUCT INFORMATION PACKET

Model No: 405TTDS7099

Catalog No: M843

Other Purpose Motor, 75 HP, 3 Ph, 60 Hz, 230/460 V, 1200 RPM, 405HPV Frame, DP

Regal and are trademarks of Regal Rexnord Corporation or one of its affiliated companies.
©2022 Regal Rexnord Corporation, All Rights Reserved. MC017097E

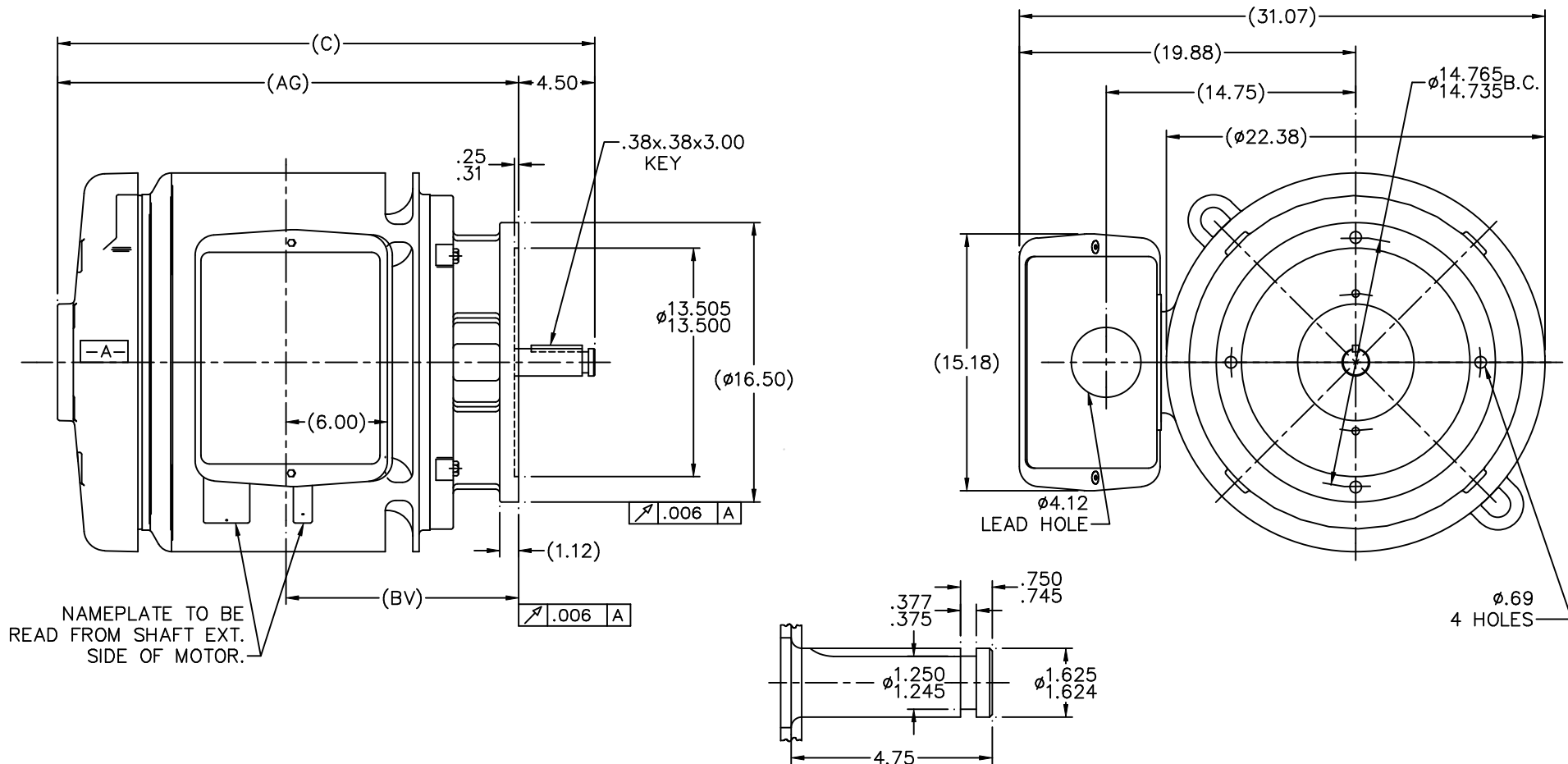


Nameplate Specifications

Output HP	75 Hp	Output KW	56.0 kW
Frequency	60 Hz	Voltage	230/460 V
Current	182.0/91.0 A	Speed	1185 rpm
Service Factor	1.15	Phase	3
Efficiency	92.4 %	Power Factor	83
Duty	Continuous	Insulation Class	B
Design Code	B	KVA Code	F
Frame	405HPV	Enclosure	Drip Proof
Thermal Protection	No Protection	Ambient Temperature	40 °C
Drive End Bearing Size	6314	Opp Drive End Bearing Size	6314
UL	Recognized	CSA	Y
CE	Y	IP Code	12
Number of Speeds	1		

Technical Specifications

Electrical Type	Squirrel Cage Induction Run	Starting Method	Across The Line
Poles	6	Rotation	Reversible
Resistance Main	.14 Ohms	Mounting	Round
Motor Orientation	Shaft Down	Drive End Bearing	Ball
Opp Drive End Bearing	Ball	Frame Material	Cast Iron
Shaft Type	HP	Overall Length	31.75 in
Frame Length	17.00 in	Shaft Diameter	1.625 in
Shaft Extension	4.5 in	Assembly/Box Mounting	F1/F2 CAPABLE
Connection Drawing	A-EE7308	Outline Drawing	B-SS504367-1700



NOTE:
1. CONDUIT BOX CAN BE ROTATED
IN 90° STEPS.

DETAIL OF SHAFT EXT.

					TOLERANCES UNLESS SPECIFIED				DRAWN KL 10-21-1993					
					DEC.	INCHES			CHK ML 10-21-1993	APPD TB 10-28-1993				
					12	UPDATED DRAWING 400 FR. WAS 400 HP	RJW 05-07-2007	ML .X	±.1	TITLE OUTLINE	SCALE 1=6			
					11	REVISED FRONT BRKT. PER CASTING CHANGES CN29499	NJS 07-24-2001	.XX	±.03	400 FR. - DR. PR.	REF			
					10	UPDATED C'BOX GEOMETRY CN28063	NJS 02-15-2000	.XXX	±.005		FMF			
					9	REDRAWN ON CADD - NO CHANGE 4086472	KL 10-28-1993	.XXXX	±.0005	MATL	PREV			
					NO.	REVISION	BY & DATE	CHK	ANG	FINISH				
					THIS DRAWING IN DESIGN AND DETAIL IS OUR PROPERTY AND MUST NOT BE USED EXCEPT IN CONNECTION WITH OUR WORK ALL RIGHTS OF DESIGN AND INVENTION ARE RESERVED THIS IS AN ELECTRONICALLY GENERATED DOCUMENT - DO NOT SCALE THIS PRINT					RFP	CAD FILE ss504367	SIZE B	DRAWING NO. SS504367	PAGE OF 12
										DIST WA				

DASH	FRAME	C	AG	BV
1700	400FR	31.75	27.25	13.75

ERROR: undefined
OFFENDING COMMAND: Psc

STACK:



NO.	REVISION	BY & DATE	CHK	ANG	TOLERANCES UNLESS SPECIFIED		FINISH	DRAWN RM 11/20/1990				
					DEC.	INCHES						
5	CHG TO REGAL LOGO	SL 09/10/2015	AB					CHK ML 11/21/1990				
4	REVISED IEC NOTATIONS	MSG 11/15/2011	CMN	.X	±.1			APPD SAS 04/24/2003				
3	ADDED IEC NOTATIONS... (U1), (V1) ETC. MU95194	MSG 5/10/2010	MJS	.XX	±.02			SCALE 1=1				
2	ADDED THE OPTIONAL CORD CONNECTION MU46318	RDH 04/24/2003	DRS	.XXX	±.005		TITLE CONNECTION DIAGRAM 3Ø - DUAL VOLTAGE MOTOR	REF				
1	REDRAWN	RM 11/20/1990		.XXXX	±.0005		MAT'L.	FMF				
					±7'30"			PREV				
THIS DRAWING IN DESIGN AND DETAIL IS OUR PROPERTY AND MUST NOT BE USED EXCEPT IN CONNECTION WITH OUR WORK ALL RIGHTS OF DESIGN AND INVENTION ARE RESERVED THIS IS AN ELECTRONICALLY GENERATED DOCUMENT - DO NOT SCALE THIS PRINT							RFP	CAD FILE ee7308	SIZE A	DRAWING NO. EE7308	PAGE OF 5	REV. 5
							DIST WP					