

PRODUCT INFORMATION PACKET

Model No: 405TSTDCD4003

Catalog No: U1034

Fire Pump 150 HP, 3 Phase DP Motors, 3600 RPM, 60HZ 400 V, 405TS Frame, Rigid Base,
For use on pumps designed for fire pump duty and installed per NFPA-20
Fire Pump Motors



Regal and Marathon are trademarks of Regal Rexnord Corporation or one of its affiliated companies.
©2022 Regal Rexnord Corporation, All Rights Reserved. MC017097E

Nameplate Specifications

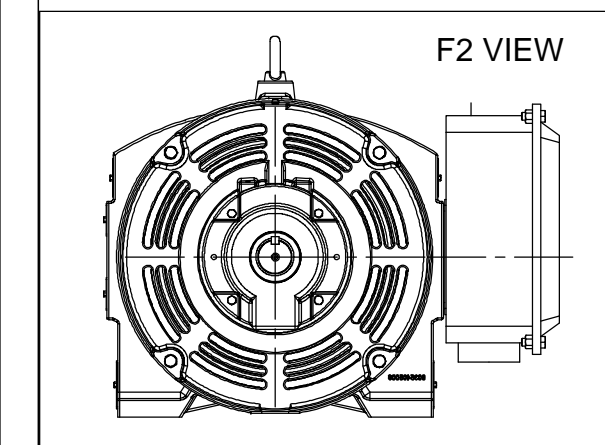
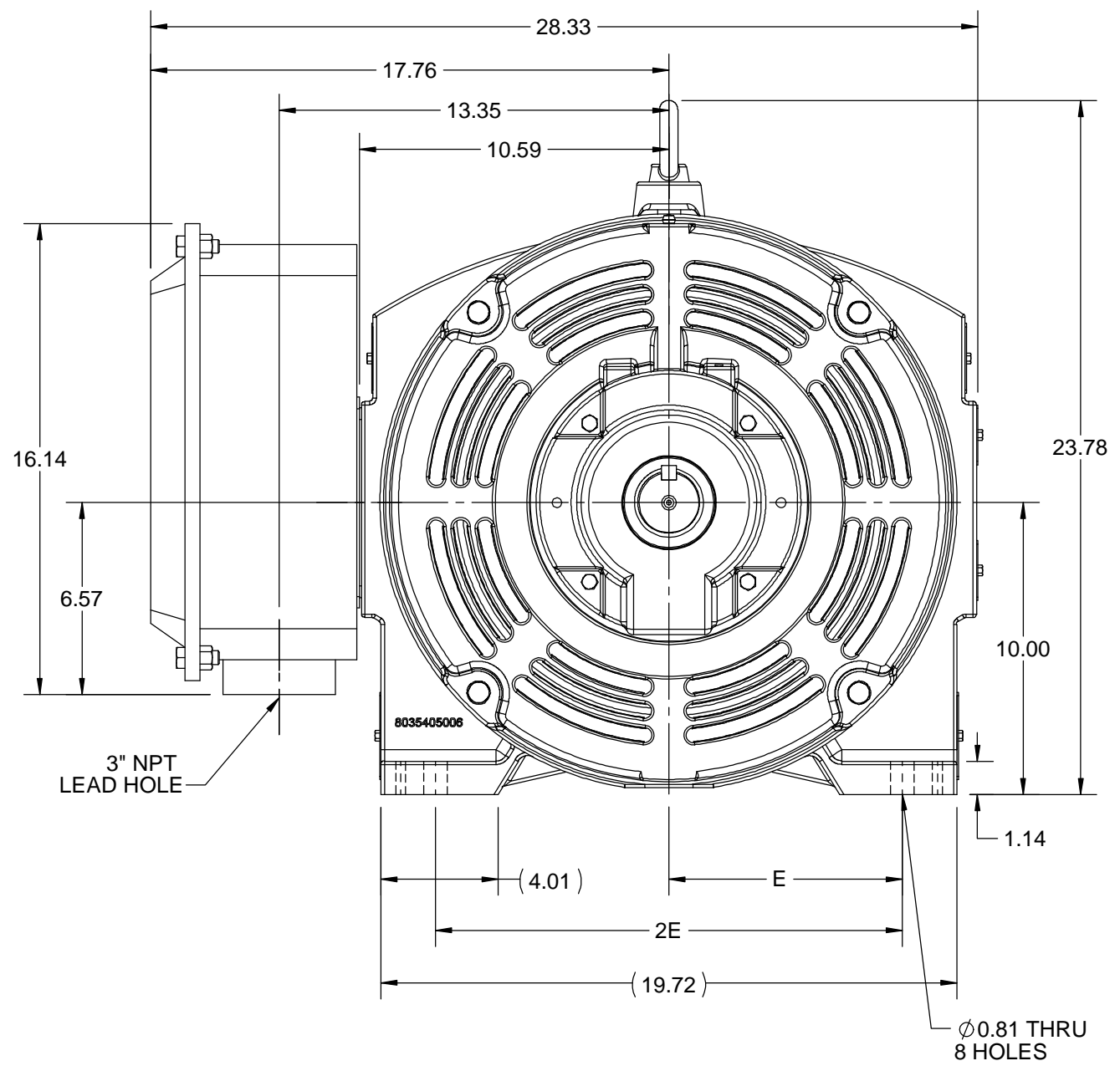
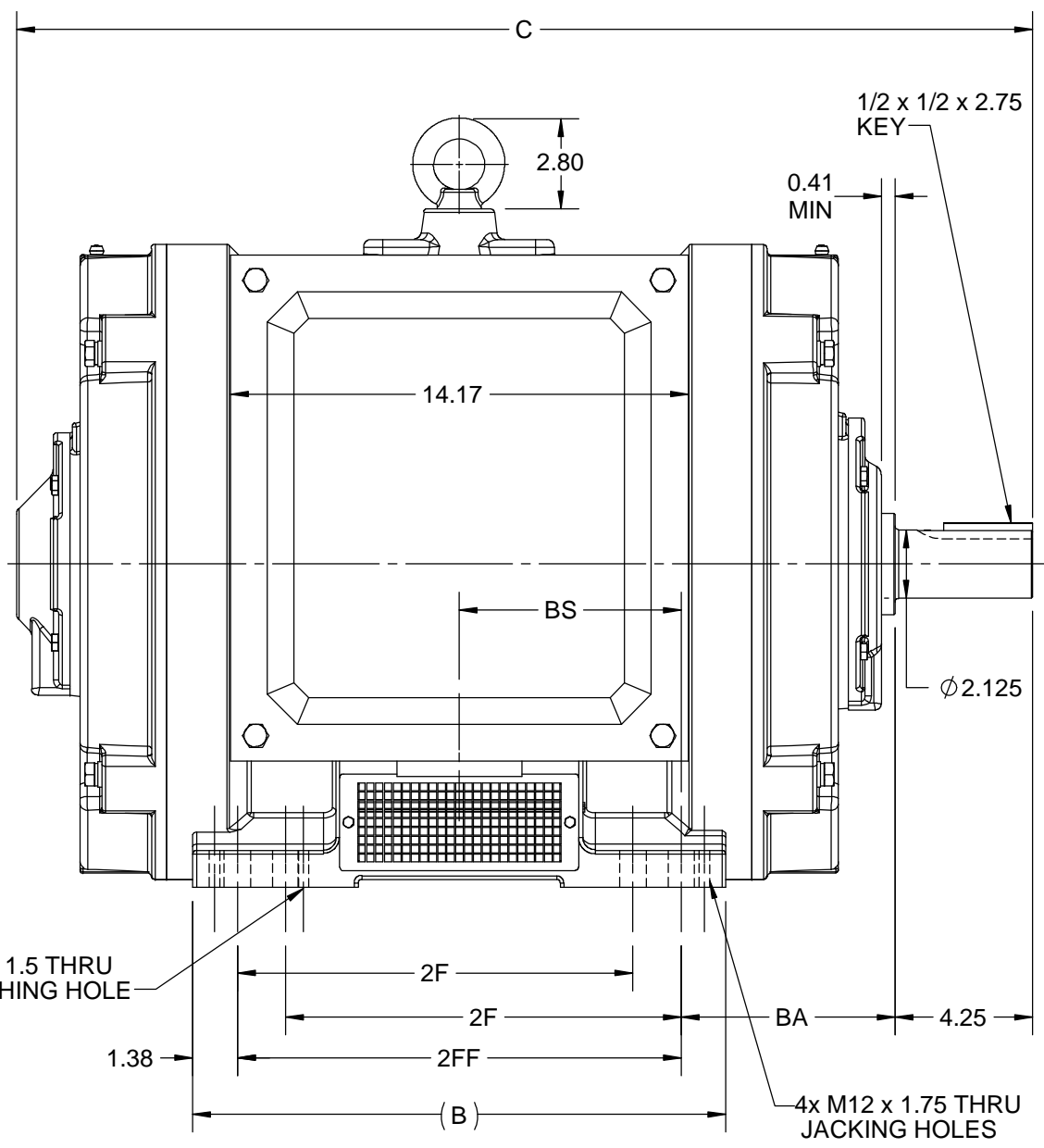
Output HP	150 Hp	Output KW	112.0 kW
Frequency	60 Hz	Voltage	400 V
Current	190.0 A	Speed	3570 rpm
Service Factor	1.15	Phase	3
Efficiency	93.6 %	Power Factor	90.7
Duty	Continuous	Insulation Class	F
Design Code	B	KVA Code	G
Frame	405TS	Enclosure	Drip Proof
Thermal Protection	No	Ambient Temperature	50 °C
Drive End Bearing Size	6314	Opp Drive End Bearing Size	6314
UL	Listed	CSA	Y
CE	Y	IP Code	23
Number of Speeds	1		

Technical Specifications

Electrical Type	Squirrel Cage Induction Run	Starting Method	Part Wdg Start & Wye Start Delta Run
Poles	2	Rotation	Reversible
Resistance Main	.064 Ohms	Mounting	Rigid Base
Motor Orientation	Horizontal	Drive End Bearing	Ball
Opp Drive End Bearing	Ball	Frame Material	Cast Iron
Shaft Type	TS	Shaft Diameter	2.125 in
Assembly/Box Mounting	F1/F2 CAPABLE		
Connection Drawing	EE7300BH	Outline Drawing	SS620989

This is an uncontrolled document once printed or downloaded and is subject to change without notice. Date Created:01/27/2022

4			3			2			1		
B	C	E	2E	2F	2FF	BA	BS	MOUNTING			
16.85	31.44	8.00	16.00	12.25	13.75	6.62	6.87	F1 OR F2			

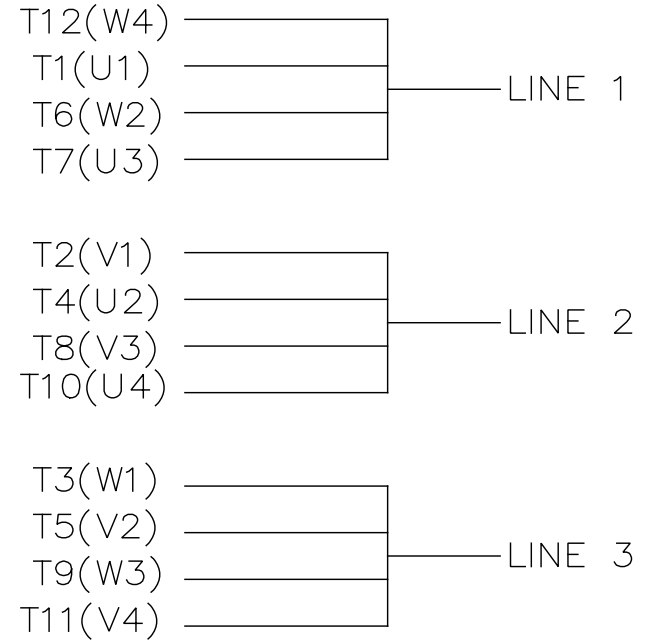


DRAWING REVISION B	REVISION BY VS	REV DATE/© DATE 25-11-2020
ECO ECO-0195088	APPROVED BY GNK	DATE 25-11-2020
ECO DESCRIPTION DRAWING UPDATED COPYRIGHT (PER REVISION DATE) REGAL BELOIT AMERICA, INC. ALL RIGHTS RESERVED. PROPRIETARY AND CONFIDENTIAL INFORMATION - THIS DOCUMENT IS THE PROPERTY OF REGAL BELOIT AMERICA, INC. ("OWNER") AND CONTAINS OWNER'S PROPRIETARY INFORMATION. ANY PERSON, CORPORATION OR OTHER FIRM RECEIVING IT IS DEEMED, BY RECEIVING IT, TO AGREE THAT IT, AND/OR ANY PART OF IT, SHALL NOT BE DISCLOSED TO ANY PERSON, CORPORATION OR OTHER ENTITY, DUPLICATED, AND/OR USED, EXCEPT AS EXPRESSLY APPROVED IN WRITING IN ADVANCE BY OWNER. THIS DOCUMENT SHALL BE RETURNED TO OWNER UPON REQUEST. IT MAY BE SUBJECT TO CERTAIN RESTRICTIONS UNDER APPLICABLE EXPORT CONTROL LAWS AND REGULATIONS.		

PRIMARY DIMENSIONS ARE INCH
mm DIMENSIONS IN [BRACKETS]
ARE FOR REFERENCE ONLY

DRAWN BY VS
DATE 11/01/2019
APPROVED BY SBD
DATE 11/01/2019
REFERENCE
THIRD ANGLE PROJECTION

REGAL Regal Beloit America, Inc.	
DESCRIPTION OUTLINE 404/405TS FR NEMA ODP	
MATERIAL	PROCESS/FINISH
SIZE B	DRAWING NUMBER SS620989
SHEET 1 OF 1	



VIEW OF TERMINAL END

				TOLERANCES UNLESS SPECIFIED		REGAL REGAL-BELOIT CORPORATION	DRAWN RJW 02-11-2005			
				DEC.	INCHES		CHK	ML	02-11-2005	
				.X	±.1		APPD	GK	02-11-2005	
				.XX	±.02	TITLE CONNECTION DIAGRAM		SCALE		
D	CHANGED TO REGAL TITLE BLOCK	ECO-0108299	WGJ 08/22/2016	EMH	.XXX ±.005	12 LEAD- SINGLE VOLTAGE		REF		
1	ADDED IEC TERMINAL MARKINGS	CN 41429	JJB 05/24/2007	ML	.XXXX ±.0005	MAT'L.		FMF		
NO.	REVISION	BY & DATE	CHK	ANG	±7'30"	FINISH		PREV		
THIS DRAWING IN DESIGN AND DETAIL IS OUR PROPERTY AND MUST NOT BE USED EXCEPT IN CONNECTION WITH OUR WORK ALL RIGHTS OF DESIGN AND INVENTION ARE RESERVED THIS IS AN ELECTRONICALLY GENERATED DOCUMENT - DO NOT SCALE THIS PRINT				RFP	02-11-2005	CAD FILE ee7300bh	SIZE	DRAWING NO.	PAGE OF	REV.
				DIST	LB		A	EE7300BH		C



P.O. BOX 8003
 WAUSAU, WI 54401-8003
 PH. 715-675-3311

DATA VOLTS: 400

CERTIFICATION DATA SHEET

CUSTOMER:
 ORDER #:
 CONN. DIAGRAM: EE7300BH
 OUTLINE: SS620989
 WINDING: HA22502103 NONE 4
 SPEED:

CUSTOMER P.O. #:
 REFERENCE MODEL #: 405STDCC4003
 CAT #: U1034
 CUSTOMER PART #:
 MOUNTING: F1/F2 CAPABLE

TYPICAL MOTOR PERFORMANCE DATA

HP	KW	SYNC RPM	FL RPM	FRAME	ENCLOSURE	TYPE	KVA CODE	DESIGN
150	112	3600	3570	405TS	DP	TDC	F	B

PH	HZ	VOLTS	AMPS	START TYPE	DUTY	INSL	S.F.	AMB	ELEV.
3	60	400	190	PWS & YDRUN	CONT	F	1.15	50	3300

F.L. EFF	3/4 LD EFF	1/2 LD EFF	GTD EFF	ELECT. TYPE
93.6	94.1	93.9	93.0	SQ CAGE IND RUN
F.L. PF 90.7	3/4 LD PF 89.9	1/2 LD PF 85.7		

F.L. TORQUE	LR AMPS @ 460 V	L.R. TORQUE	B.D. TORQUE	F.L. RISE (°C)
220 LB-FT	1,070	300 LB-FT	475 LB-FT	75
		136%	216%	

SOUND PRESSURE @ 3 FT.	SOUND	POWER	ROTOR WK ²	MAX. LOAD WK ²	SAFE STALL TIME	STARTS/HOUR	APROX.	MOTOR WGT
80 dBA	89 dBA		15.71 LB-FT ²	60 LB-FT ²	17 SEC.	2	1080	LB.

***** SUPPLEMENTAL INFORMATION *****

DE BRACKET TYPE	ODE BRACKET TYPE	MOUNT TYPE	MOTOR ORIENTATION	SEVERE DUTY	HAZARDOUS LOCATION	DRIP COVER	SCREENS	PAINT
STANDARD	STANDARD	RIGID	HORIZONTAL	NO	NONE	YES	RODENT	RED (ENAMEL)

DE	ODE	GREASE	SHAFT TYPE	SPECIAL DE	SPECIAL ODE	SHAFT MATERIAL	FRAME MATERIAL
BALL	BALL	POLYREX EM	TS	NONE	NONE	1045 HOT ROLLED (C-204)	CAST IRON
6314	6314						

THERMOSTATS	PROTECTORS	WDG RTD's	BRG RTD's	THERMISTORS	CONTROL	SPACE HEATERS
NONE	NOT	NONE	NONE	NONE	FALSE	NA

R1 (ohms/ph)	R2 (ohms/ph)	X1 (ohms/ph)	X2 (ohms/ph)	Xm (ohms/ph)	VIBRATION (in/sec)	FLOAT
0.02268431	0.007561437	0.100567108	0.105860113	3.911531191	0.150	ODE

* N O T E S *	INVERTER TORQUE: NONE					
	INV. HP SPEED RANGE: NONE					
	ENCODER: NONE					
	NONE NONE NONE PPR					

PREPARED BY:	DATE: 11/17/2021				
BRAKE: NONE					HZ:
NONE					
FT-LB: NA					
VOLTAGE: NONE					
UL: NO LETTER - ALL BRANDS-UL LISTED FIRE PUMP MOTORS					

FORM: 3531 REV. 4 2/27/06

Data Sheet

Date: 11/17/2021
 Customer: _____
 Attention: _____
 Submitted by: _____



405TSTDCD4003

Submittal

Data @ 400 V

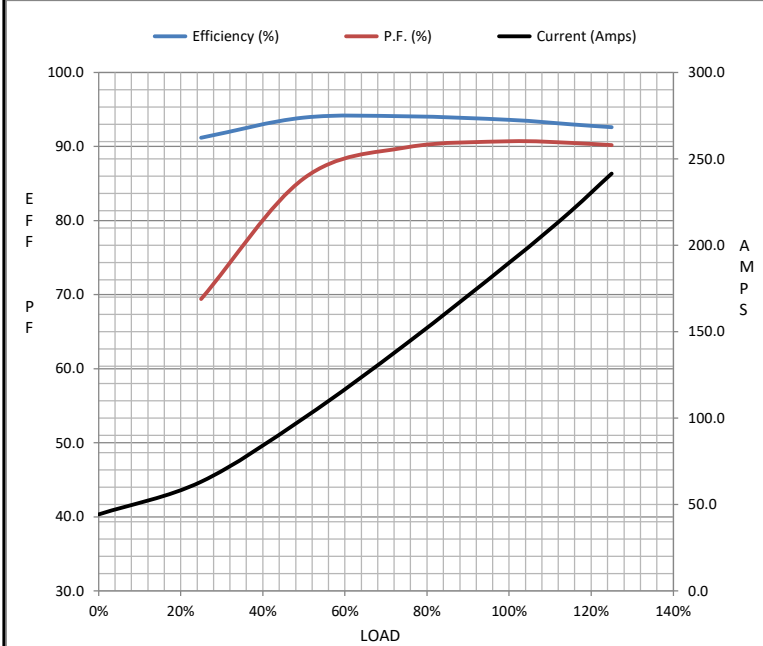
Motor Load Data

Load	0%	25%	50%	75%	100%	115%	125%	LR
Current (Amps)	44.3	63.3	100	143	190	220	242	1,070
Torque (ft-lb)	0.00	55.0	110	165	220	255	276	300
RPM	3600	3593	3586	3578	3570	3,564	3560	0
Efficiency (%)		91.2	93.9	94.1	93.6	93.0	92.6	
P.F. (%)	7.8	69.4	85.7	89.9	90.7	90.5	90.2	34.0

Motor Speed Data

	LR	Pull-Up	BD	Rated	Idle
Speed (RPM)	0	1800	3454	3570	3600
Current (Amps)	1,070	863	615	190	44.3
Torque (ft-lb)	300	240	475	220	0.00

Information Block				
HP	150.0			
Sync. RPM	3600			
Frame	405			
Enclosure	DP			
Construction	TDC			
Voltage	400 V			
Frequency	60 Hz			
Design	B			
LR Code letter	F			
Service Factor	1.15			
Temp Rise @ FL	75 ° C			
Duty	CONT			
Ambient	40 ° C			
Elevation	3,300 feet			
Rotor/Shaft wk ²	15.71 Lb-F ²			
Ref Wdg	HA22502103 NONE			
Sound Pressure @ 1M	80 dBA			
VFD Rating	NONE			
Outline Dwg	SS620989			
Conn. Diag	EE7300BH			
Additional Specifications:				
0				
0				
EQUIV CKT (OHMS / PHASE)				
R1	R2	X1	X2	Xm
0.0300	0.0100	0.1330	0.1400	5.1730



Speed - Torque Curve

