

PRODUCT INFORMATION PACKET

Model No: 404TTDS7071

Catalog No: M846

Other Purpose Motor, 100 HP, 3 Ph, 60 Hz, 230/460 V, 1800 RPM, 404HPV Frame, DP

Regal and are trademarks of Regal Rexnord Corporation or one of its affiliated companies.
©2022 Regal Rexnord Corporation, All Rights Reserved. MC017097E

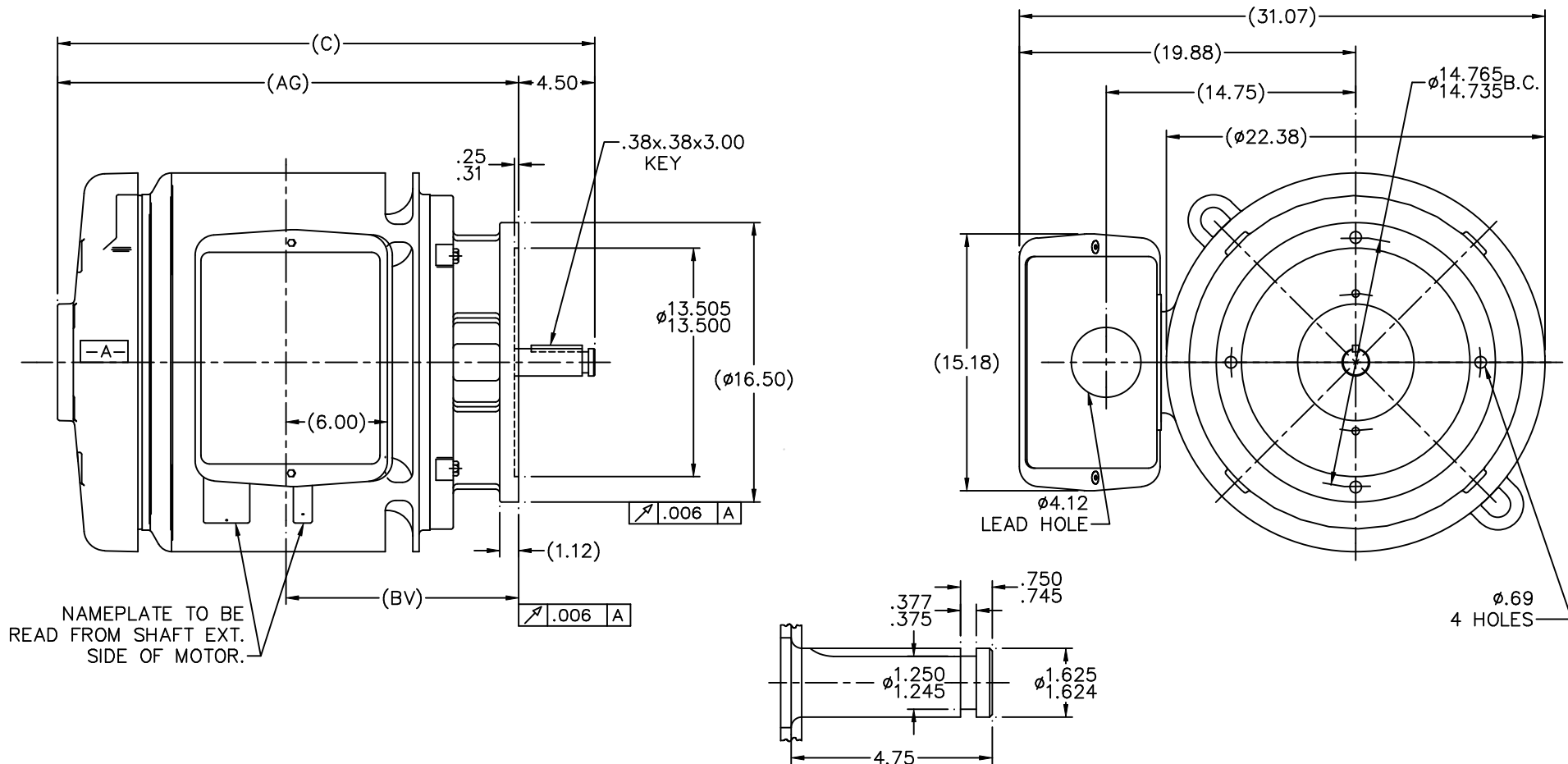


Nameplate Specifications

Output HP	100 Hp	Output KW	75.0 kW
Frequency	60 Hz	Voltage	230/460 V
Current	238.0/119.0 A	Speed	1775 rpm
Service Factor	1.15	Phase	3
Efficiency	93 %	Power Factor	84.5
Duty	Continuous	Insulation Class	B
Design Code	B	KVA Code	F
Frame	404HPV	Enclosure	Drip Proof
Thermal Protection	No Protection	Ambient Temperature	40 °C
Drive End Bearing Size	6314	Opp Drive End Bearing Size	6314
UL	Recognized	CSA	Y
CE	Y	IP Code	12
Number of Speeds	1		

Technical Specifications

Electrical Type	Squirrel Cage Induction Run	Starting Method	Across The Line
Poles	4	Rotation	Reversible
Resistance Main	.105 Ohms	Mounting	Round
Motor Orientation	Shaft Down	Drive End Bearing	Ball
Opp Drive End Bearing	Ball	Frame Material	Cast Iron
Shaft Type	HP	Overall Length	31.75 in
Frame Length	17.00 in	Shaft Diameter	1.625 in
Shaft Extension	4.5 in	Assembly/Box Mounting	F1/F2 CAPABLE
Connection Drawing	A-EE7308	Outline Drawing	B-SS504367-1700



NOTE:
1. CONDUIT BOX CAN BE ROTATED
IN 90° STEPS.

DETAIL OF SHAFT EXT.

					TOLERANCES UNLESS SPECIFIED				DRAWN KL 10-21-1993		
					DEC.	INCHES			CHK ML 10-21-1993		
					12	UPDATED DRAWING 400 FR. WAS 400 HP	RJW 05-07-2007	ML .X ±.1	TITLE OUTLINE		
					11	REVISED FRONT BRKT. PER CASTING CHANGES CN29499	NJS 07-24-2001	.XX ±.03	400 FR. - DR. PR.		
					10	UPDATED C'BOX GEOMETRY CN28063	NJS 02-15-2000	.XXX ±.005	SCALE 1=6		
					9	REDRAWN ON CADD - NO CHANGE 4086472	KL 10-28-1993	.XXXX ±.0005	REF		
					NO. REVISION		CHK BY & DATE	ANG ±7'30"	FINISH		
					THIS DRAWING IN DESIGN AND DETAIL IS OUR PROPERTY AND MUST NOT BE USED EXCEPT IN CONNECTION WITH OUR WORK ALL RIGHTS OF DESIGN AND INVENTION ARE RESERVED THIS IS AN ELECTRONICALLY GENERATED DOCUMENT - DO NOT SCALE THIS PRINT						
					RFP		CAD FILE ss504367		SIZE B	DRAWING NO. SS504367	
					DIST WA				PAGE 12	REV. 12	

DASH	FRAME	C	AG	BV
1700	400FR	31.75	27.25	13.75

ERROR: undefined
OFFENDING COMMAND: Psc

STACK:



				TOLERANCES UNLESS SPECIFIED		Regal Beloit America, Inc.		DRAWN RM 11/20/1990	
				DEC.	INCHES			CHK	ML 11/21/1990
5	CHG TO REGAL LOGO	SL	09/10/2015	AB				APPD	SAS 04/24/2003
4	REVISED IEC NOTATIONS	MSG	11/15/2011	CMN	.X	±.1		SCALE	1=1
3	ADDED IEC NOTATIONS... (U1), (V1) ETC. MU95194	MSG	5/10/2010	MJS	.XX	±.02	TITLE CONNECTION DIAGRAM	REF	
2	ADDED THE OPTIONAL CORD CONNECTION MU46318	RDH	04/24/2003	DRS	.XXX	±.005	3Ø - DUAL VOLTAGE MOTOR	FMP	
1	REDRAWN	RM	11/20/1990		.XXXX	±.0005	MAT'L.	PREV	
NO.	REVISION	BY & DATE	CHK	ANG	±7'30"		FINISH		
THIS DRAWING IN DESIGN AND DETAIL IS OUR PROPERTY AND MUST NOT BE USED EXCEPT IN CONNECTION WITH OUR WORK ALL RIGHTS OF DESIGN AND INVENTION ARE RESERVED THIS IS AN ELECTRONICALLY GENERATED DOCUMENT - DO NOT SCALE THIS PRINT				RFP			CAD FILE ee7308	SIZE	DRAWING NO. PAGE OF REV.
				DIST	WP		A	EE7308	5