

PRODUCT INFORMATION PACKET

marathon[®]
Motors

Model No: 404TTDS4086

Catalog No: E748

General Purpose Motor, 60 & 50 HP, 3 Ph, 60 & 50 Hz, 230/460 & 190/380 V, 1200 & 1000 RPM,
404T Frame, DP

Regal and Marathon are trademarks of Regal Rexnord Corporation or one of its affiliated companies.

©2023 Regal Rexnord Corporation, All Rights Reserved. MC017097E

The logo for Regal Rexnord, featuring a stylized 'R' icon followed by the text 'RegalRexnord'.

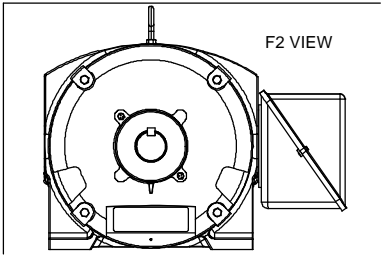
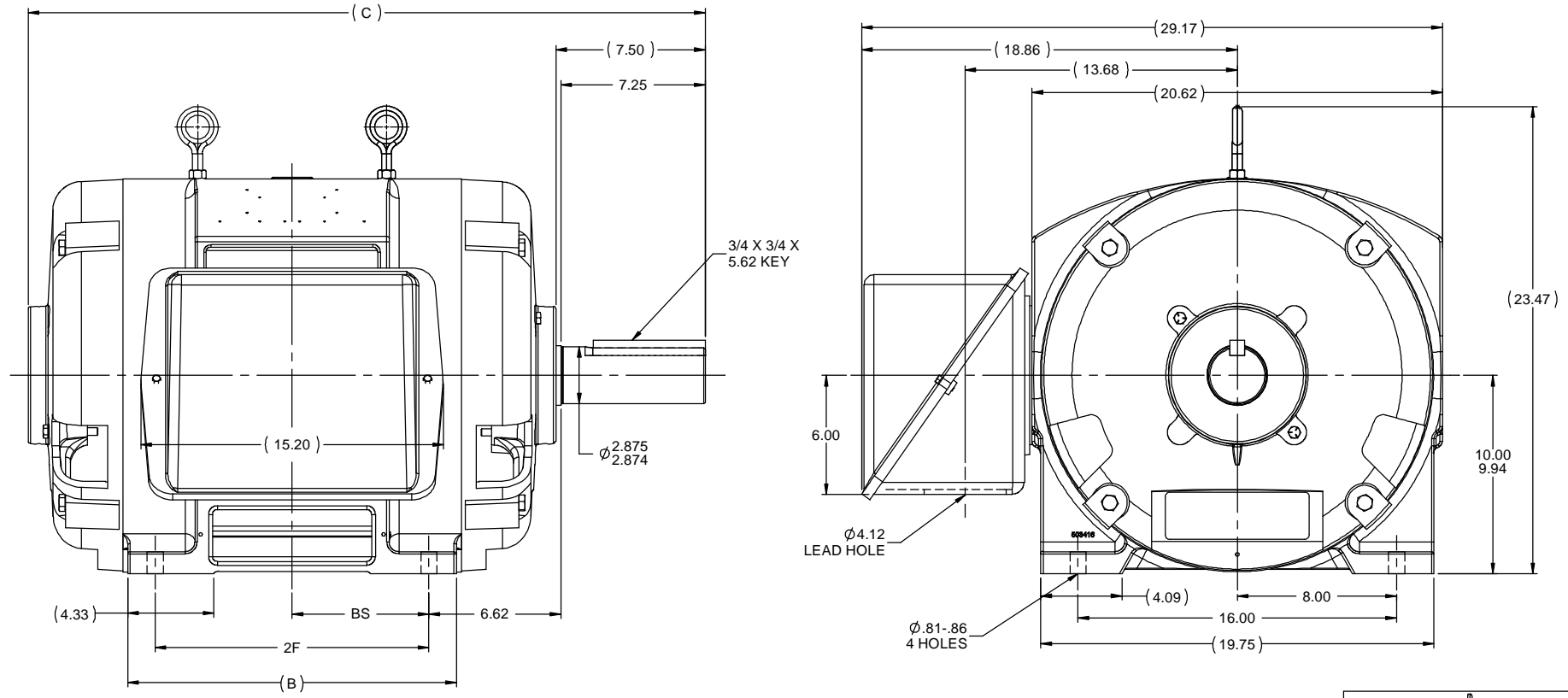


Nameplate Specifications

Phase	3	Output HP	60 & 50 Hp
Output KW	45.0 & 37.0 kW	Voltage	230/460 & 190/380 V
Speed	1185 & 980 rpm	Service Factor	1.15 & 1.15
Frame	404T	Enclosure	Drip Proof
Thermal Protection	No Protection	Efficiency	93.6 & 93.6 %
Ambient Temperature	40 °C	Frequency	60 & 50 Hz
Current	143/71.5 & 144/72 A	Power Factor	84
Duty	Continuous	Insulation Class	B
Design Code	B	KVA Code	G
Drive End Bearing Size	6316	Opp Drive End Bearing Size	6313
UL	Recognized	CSA	Y
CE	Y	IP Code	12
Number of Speeds	1		

Technical Specifications

Electrical Type	Squirrel Cage Induction Run	Starting Method	Across The Line
Poles	6	Rotation	Reversible
Resistance Main	.137 Ohms	Mounting	Rigid Base
Motor Orientation	Horizontal	Drive End Bearing	Ball
Opp Drive End Bearing	Ball	Frame Material	Cast Iron
Shaft Type	T	Overall Length	32.51 in
Frame Length	15.50 in	Shaft Diameter	2.875 in
Shaft Extension	7.5 in	Assembly/Box Mounting	F1/F2 CAPABLE
Outline Drawing	B-SS509599-1550	Connection Drawing	A-EE7308K



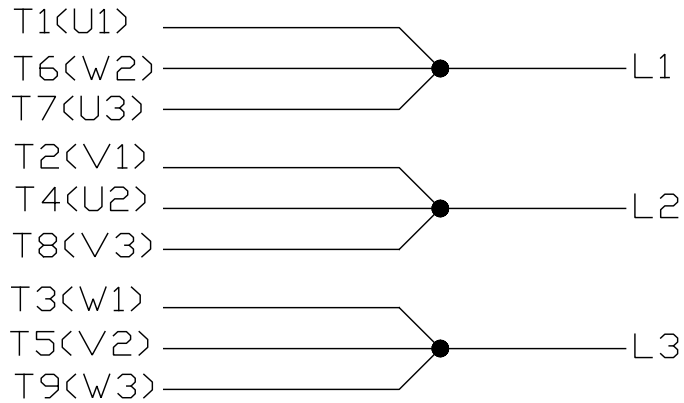
- NOTES:
 1. CONDUIT BOX CAN BE ROTATED IN 90 ° STEPS.
 2. CONDUIT BOX CAN BE MOUNTED ON OPPOSITE SIDE BY REMOVING BRACKETS AND TURNING FRAME 180 °
 3. NAMEPLATES TO BE READ FROM CONDUIT BOX SIDE OF MOTOR.

DASH	FRAME	B	C	BS	2F
1550	404T	15.00	32.51	6.12	12.25
1700	405T	16.50	34.01	6.88	13.75

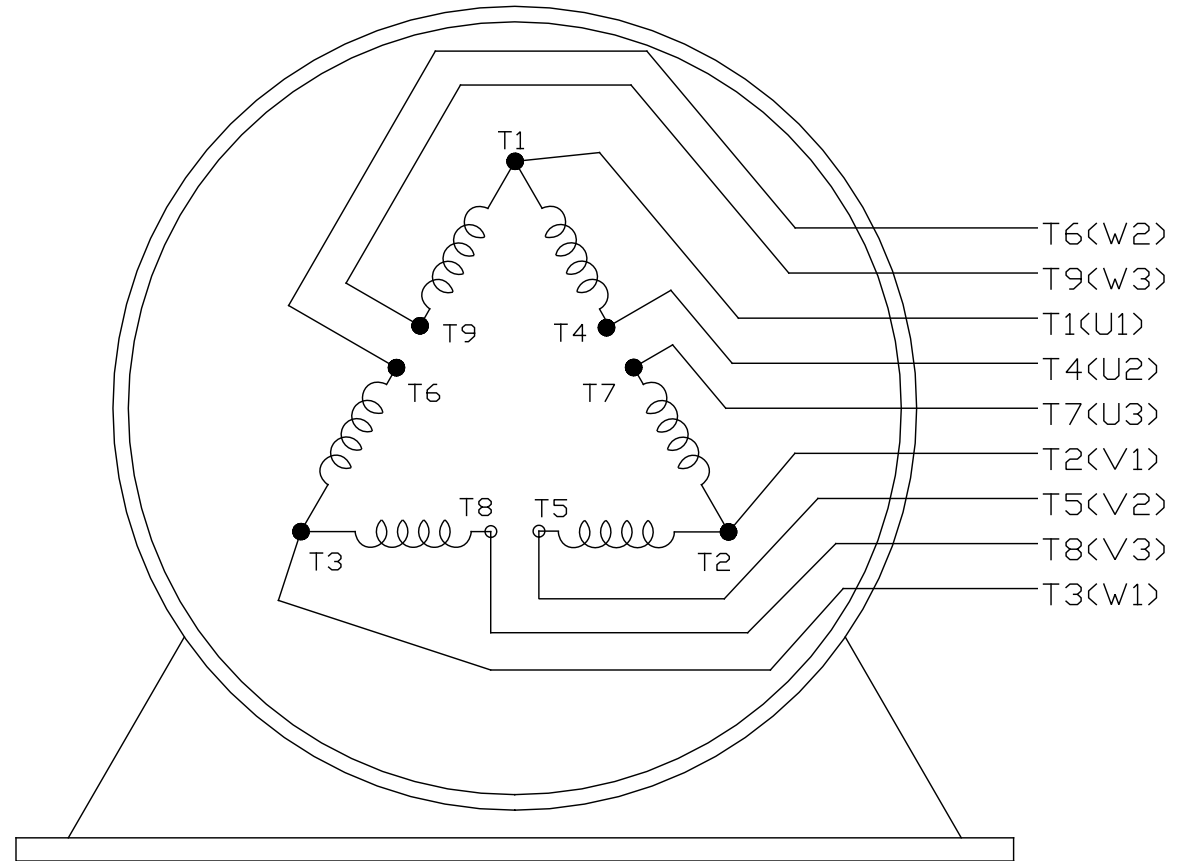
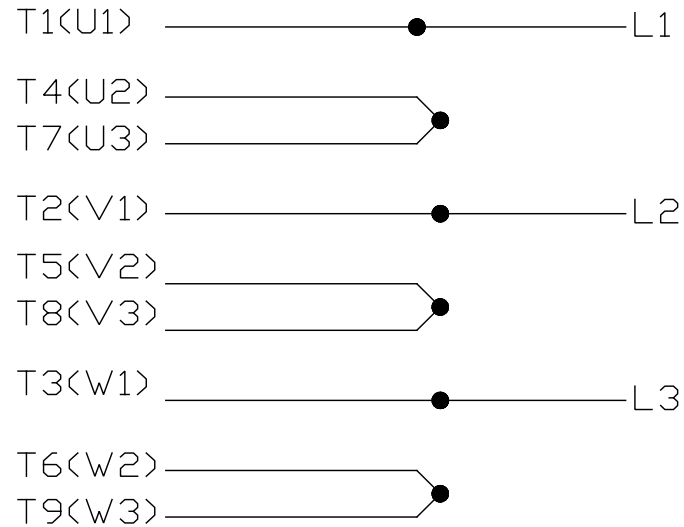
REVISION		BY & DATE		CHK		ANG		±7'30"		FINISH		DRAWN		CHK		APPR		SCALE		REF		FMF		PAGE		OF	
11	ADDED F2 VIEW	TJW	1/6/2010	CTO	DEC	INCHES				TITLE		OUTLINE		DRAWN		TJB		2/24/1988		REF		FMF		PAGE		OF	
10	REDRAWN IN AUTOCAD	TAT	6/29/2004	ML	X	±.1				TITLE		400T FR. - DR.PR. - (STD0		CHK		JL		2/24/1988		REF		FMF		PAGE		OF	
9	REPLACED ONE EYEBOLT WITH TWO CN28063	BJW	2/10/2000	XX		±.03				TITLE		400T FR. - DR.PR. - (STD0		APPR		ML		2/24/1988		REF		FMF		PAGE		OF	
8	UPDATED C'BOX GEOMETRY CN28063	TRB	2/10/2000	XXX		±.005				TITLE		400T FR. - DR.PR. - (STD0		APPR		ML		2/24/1988		REF		FMF		PAGE		OF	
7	REDRAWN ON CADD	TLB	2/24/1988	XXXX		±.0005				TITLE		400T FR. - DR.PR. - (STD0		APPR		ML		2/24/1988		REF		FMF		PAGE		OF	
NO										FINISH		PREV		RFP		NETWORK FILE NAME		SS509599		SIZE		DRAWING NO		REV			




LOW VOLTAGE



HIGH VOLTAGE



VIEW OF TERMINAL END

			TOLERANCES UNLESS SPECIFIED		 REGAL - BELOIT CORPORATION	DRAWN PGK 06-04-1997			
NO.	REVISION	BY & DATE	CHK	ANG		±	INCHES	SCALE	PREV
E	CORRECTED IEC MARKINGS ECD-0111208	WGJ 01-23-2017	EMH	DEC.				CHK ML 06-05-1997	
D	RE-DRAWN WITH REGAL LOGO ECD-0110493	WGJ 09-30-2016	EMH	.X	±.1			APPD GK 06-15-1997	
8	ADDED IEC DESIGNATIONS MU95020	TJW 4/30/2010	MJS	.XX	±.02		TITLE CONNECTION DIAGRAM		
7	REVISED HIGH VOLTAGE L2 WAS L3 CN52600-354	MRB 09-21-1998		.XXX	±.005		TITLE DELTA CON. - 3Ø - 9 LEADS	REF	
6	REDRAWN ON CADD	PGK 06-05-1997		.XXXX	±.0005		MAT'L.	FMF	
					±7'30"		FINISH		
THIS DRAWING IN DESIGN AND DETAIL IS OUR PROPERTY AND MUST NOT BE USED EXCEPT IN CONNECTION WITH OUR WORK ALL RIGHTS OF DESIGN AND INVENTION ARE RESERVED THIS IS AN ELECTRONICALLY GENERATED DOCUMENT - DO NOT SCALE THIS PRINT			RFP	CAD FILE EE7308K			SIZE A	DRAWING NO. EE7308K	PAGE 0F REV. E
			DIST						