

# PRODUCT INFORMATION PACKET

Model No: 404TSTDS4364

Catalog No: U452

Other Purpose Motor, 100 & 75 HP, 3 Ph, 60 & 50 Hz, 230/460 & 190/380 V, 1800 & 1500 RPM,  
404TSC Frame, DP



Regal and Marathon are trademarks of Regal Rexnord Corporation or one of its affiliated companies.

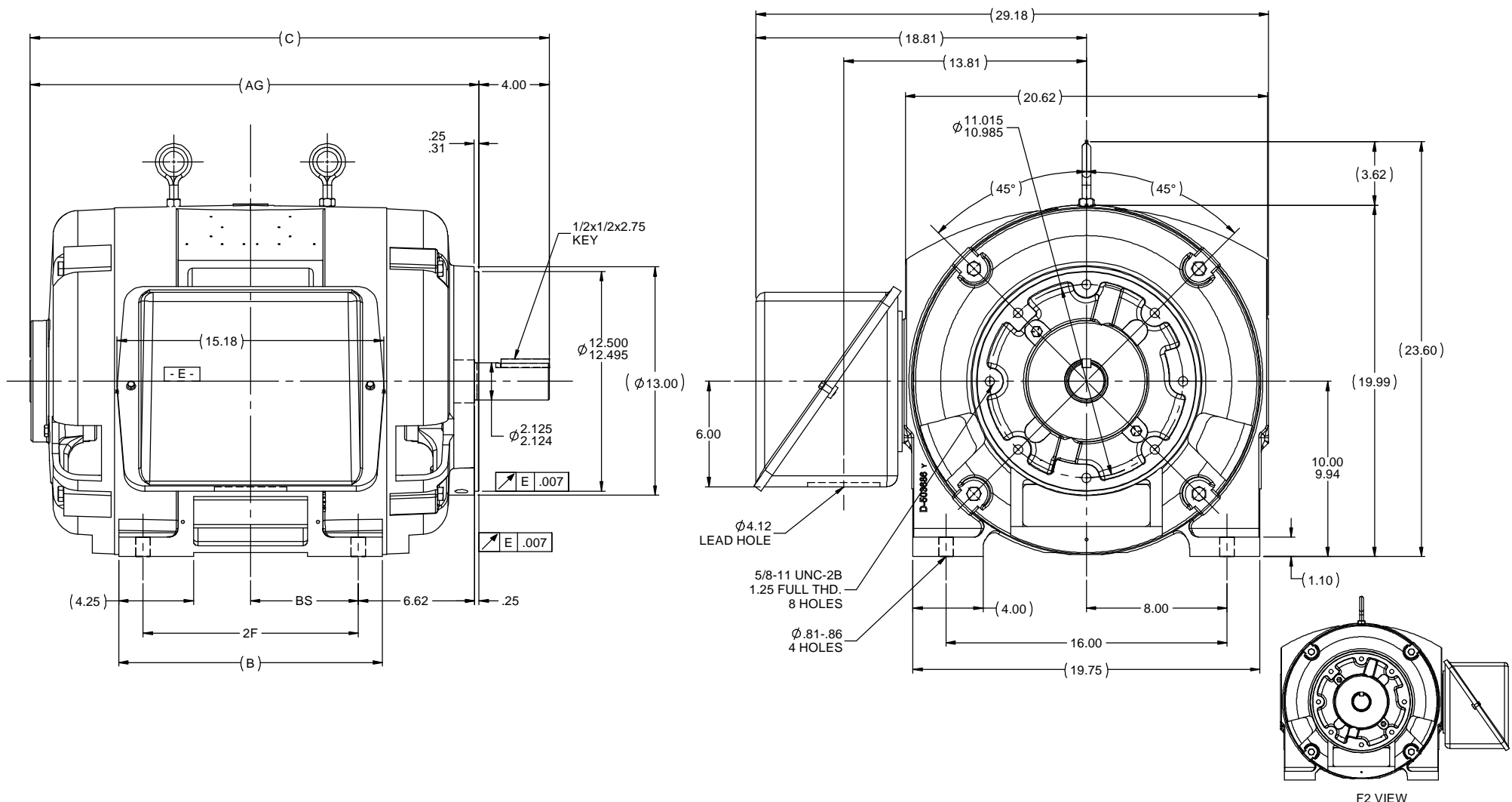
©2023 Regal Rexnord Corporation, All Rights Reserved. MC017097E

### Nameplate Specifications

Phase	3	Output HP	100 & 75 Hp
Output KW	75.0 & 56.0 kW	Voltage	230/460 & 190/380 V
Speed	1780 & 1480 rpm	Service Factor	1.15 & 1.15
Frame	404TSC	Enclosure	Drip Proof
Thermal Protection	No Protection	Efficiency	94.1 & 93.6 %
Ambient Temperature	40 °C	Frequency	60 & 50 Hz
Current	236/118 & 216/108 A	Power Factor	84.5
Duty	Continuous	Insulation Class	F
Design Code	B	KVA Code	G
Drive End Bearing Size	6313	Opp Drive End Bearing Size	6313
UL	Recognized	CSA	Y
CE	Y	IP Code	12
Number of Speeds	1		

### Technical Specifications

Electrical Type	Squirrel Cage Induction Run	Starting Method	Part Wdg Start Low Volt Only & Wye Start Delta Run
Poles	4	Rotation	Reversible
Resistance Main	.052 Ohms	Mounting	Rigid Base
Motor Orientation	Horizontal	Drive End Bearing	Ball
Opp Drive End Bearing	Ball	Frame Material	Cast Iron
Shaft Type	TS	Overall Length	29.50 in
Frame Length	15.50 in	Shaft Diameter	2.125 in
Shaft Extension	4 in	Assembly/Box Mounting	F1/F2 CAPABLE
Outline Drawing	B-SS510954-1550	Connection Drawing	A-EE7308AA



- NOTES:
1. BOX CAN BE ROTATED IN 90 ° STEPS.
  2. BOX CAN BE MOUNTED ON OPPOSITE SIDE BY REMOVING BRACKETS AND TURNING FRAME 180 °.
  3. NAMEPLATES TO BE READ FROM CONDUIT BOX SIDE OF MOTOR.

DASH	FRAME	B	C	2F	AG	BS
1550	404TSC	15.00	29.50	12.25	25.50	6.12
1700	405TSC	16.50	31.00	13.75	27.00	6.88

REVISION		BY & DATE	CHK	LANG	±1/2°	FINISH	PREV	SIZE	DRAWING NO	REV
07	ADDED F2 VIEW PER MU108019, REDRAWN IN SOLIDWORKS	JG 07/16/2012	DJK	DEC	INCHES			B	SS510954	07
06	REDRAWN IN AUTOCAD	TAT 06/29/2004	ML	X	±.1					
05	REPLACED ONE EYEBOLT FOR TWO CN28063	BJW 2/10/2000	XX		±.03	TITLE	OUTLINE			SCALE 3:16
04	UPDATED C'BOX GEOMETRY CN28063	TRB 02/10/2000	XXX		±.005		400TSC FR. - DR. PR. - (STD) - C'FACE			REF
03	REDRAWN IN AUTOCAD	TLB 02/29/1988	XXXXX		±.0005	MATL				FMF
NO										PAGE OF





### LOW VOLTAGE



### HIGH VOLTAGE



### VIEW OF TERMINAL END

DRAWING REVISION <b>K</b>	REVISION BY <b>AJW</b>	DATE <b>07-17-2015</b>
ECO <b>ECO-0081632</b>	APPROVED BY <b>T. VUE</b>	DATE <b>07-17-2015</b>
ECO DESCRIPTION <b>REV'D IEC MARKINGS PER IEC 60034-8</b>		
<small>COPYRIGHT REGAL BELOIT AMERICA, INC. ALL RIGHTS RESERVED.          PROPRIETARY AND CONFIDENTIAL INFORMATION - THIS DOCUMENT IS THE PROPERTY OF          REGAL BELOIT AMERICA, INC. ("OWNER") AND CONTAINS OWNER'S PROPRIETARY          INFORMATION. ANY PERSON, CORPORATION OR OTHER FIRM RECEIVING IT IS DEEMED,          BY RECEIVING IT, TO AGREE THAT IT, AND/OR ANY PART OF IT, SHALL NOT BE DISCLOSED          TO ANY PERSON, CORPORATION OR OTHER ENTITY, DUPLICATED, AND/OR USED, EXCEPT          AS EXPRESSLY APPROVED IN WRITING IN ADVANCE BY OWNER. THIS DOCUMENT SHALL          BE RETURNED TO OWNER UPON REQUEST. IT MAY BE SUBJECT TO CERTAIN          RESTRICTIONS UNDER APPLICABLE EXPORT CONTROL LAWS AND REGULATIONS.</small>		



DRAWN BY <b>LZ</b>	<b>Regal Beloit America, Inc.</b>	
DATE <b>01-12-1994</b>		
APPROVED BY <b>GK</b>	<b>DESCRIPTION</b> <b>CONN DIAGRAM-EXTERNAL</b> <b>3Ø-2/1 DELTA-12 LEADS</b>	
DATE <b>01-14-1994</b>		
REFERENCE	MATERIAL	PROCESS/FINISH
THIRD ANGLE PROJECTION	SIZE <b>A</b>	DRAWING NUMBER <b>EE7308AA</b>
		SHEET <b>1 OF 1</b>