

PRODUCT INFORMATION PACKET

Model No: 404TSTDS4017

Catalog No: U530

Fire Pump Motor, 125 & 100 HP, 3 Ph, 60 & 50 Hz, 230/460 & 190/380 V, 3600 & 3000 RPM, 404TS Frame,
DP



Regal and Marathon are trademarks of Regal Rexnord Corporation or one of its affiliated companies.

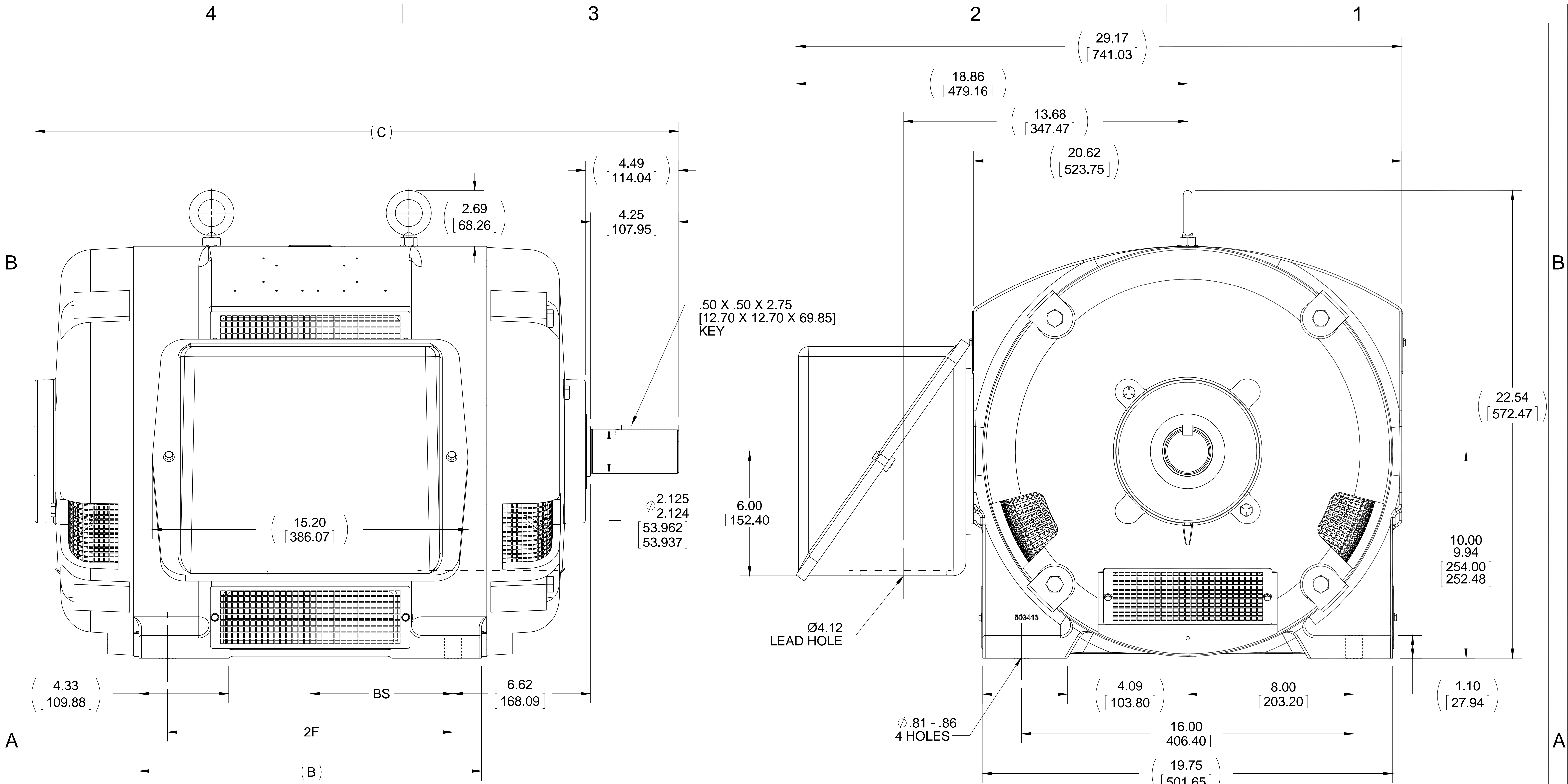
©2023 Regal Rexnord Corporation, All Rights Reserved. MC017097E

Nameplate Specifications

Phase	3	Output HP	125 & 100 Hp
Output KW	93.0 & 75.0 kW	Voltage	230/460 & 190/380 V
Speed	3560 & 2960 rpm	Service Factor	1.15 & 1.15
Frame	404TS	Enclosure	Drip Proof
Thermal Protection	No Protection	Efficiency	93.6 & 93 %
Ambient Temperature	50 °C	Frequency	60 & 50 Hz
Current	284/142 & 272/136 A	Power Factor	88
Duty	Continuous	Insulation Class	B
Design Code	B	KVA Code	F
Drive End Bearing Size	6313	Opp Drive End Bearing Size	6313
UL	No	CSA	Y
CE	Y	IP Code	12
Number of Speeds	1		

Technical Specifications

Electrical Type	Squirrel Cage Induction Run	Starting Method	Part Wdg Start Low Volt Only & Wye Start Delta Run
Poles	2	Rotation	Reversible
Resistance Main	.055 Ohms	Mounting	Rigid Base
Motor Orientation	Horizontal	Drive End Bearing	Ball
Opp Drive End Bearing	Ball	Frame Material	Cast Iron
Shaft Type	TS	Overall Length	29.50 in
Frame Length	15.50 in	Shaft Diameter	2.125 in
Shaft Extension	4.49 in	Assembly/Box Mounting	F1/F2 Capable
Connection Drawing	A-EE7308AA	Outline Drawing	B-SS511744-1550



- NOTES:
 1. CONDUIT BOX CAN BE ROTATED IN 90° STEPS.
 2. CONDUIT BOX CAN BE MOUNTED ON OPPOSITE SIDE BY REMOVING BRACKETS AND TURNING FRAME 180°.
 3. NAMEPLATES TO BE READ FROM CONDUIT BOX SIDE OF MOTOR.

DASH	FRAME	B	C	2F	BS
1550	404TS	15.00 [381.00]	29.50 [749.30]	12.25 [311.15]	6.12 [155.45]
1700	405TS	16.50 [419.10]	31.00 [787.40]	13.75 [349.25]	6.88 [174.75]

DRAWING REVISION C	REVISION BY W. JOERGER	DATE 06-08-2016
ECO ECO-0103342	APPROVED BY E. HEIL	DATE 06-08-2016
ECO DESCRIPTION RE-DRAWN TO CURRENT STANDARDS		
<small>COPYRIGHT REGAL BELOIT AMERICA, INC. ALL RIGHTS RESERVED. PROPRIETARY AND CONFIDENTIAL INFORMATION - THIS DOCUMENT IS THE PROPERTY OF REGAL BELOIT AMERICA, INC. ("OWNER") AND CONTAINS OWNER'S PROPRIETARY INFORMATION. ANY PERSON, CORPORATION OR OTHER FIRM RECEIVING IT IS DEEMED, BY RECEIVING IT, TO AGREE THAT IT, AND/OR ANY PART OF IT, SHALL NOT BE DISCLOSED TO ANY PERSON, CORPORATION OR OTHER ENTITY, DUPLICATED, AND/OR USED, EXCEPT AS EXPRESSLY APPROVED IN WRITING IN ADVANCE BY OWNER. THIS DOCUMENT SHALL BE RETURNED TO OWNER UPON REQUEST. IT MAY BE SUBJECT TO CERTAIN RESTRICTIONS UNDER APPLICABLE EXPORT CONTROL LAWS AND REGULATIONS.</small>		

TOLERANCES UNLESS OTHERWISE SPECIFIED:

DEC.	INCH	mm	ANGLE
.X	±0.1	[±2.5]	±0.5°
.XX	±0.01	[±0.25]	
.XXX	±0.005	[±0.127]	
.XXXX	±0.0005	[±0.0127]	

REMOVE BURRS & BREAK SHARP EDGES: .003/.015 [0.076/.381] X 45°
 CORNER FILLETS: R.02 [.51]
 MACHINED SURFACES: 125 INCH 3.2 mm
 mm SHOWN IN [BRACKETS]

DRAWN BY TLB	DATE 06-16-1982
APPROVED BY GK	DATE 06-16-1982
REFERENCE	
THIRD ANGLE PROJECTION	

REGAL™ Regal Beloit America, Inc.

DESCRIPTION
400TS FR - DR. PR. - (STD) SCREENED

MATERIAL PROCESS/FINISH

SIZE **B** DRAWING NUMBER **SS511744** SHEET 1 OF 1



LOW VOLTAGE



HIGH VOLTAGE



DRAWING REVISION K	REVISION BY AJW	DATE 07-17-2015
ECO ECO-0081632	APPROVED BY T. VUE	DATE 07-17-2015
ECO DESCRIPTION REV'D IEC MARKINGS PER IEC 60034-8		
<small>COPYRIGHT REGAL BELOIT AMERICA, INC. ALL RIGHTS RESERVED. PROPRIETARY AND CONFIDENTIAL INFORMATION - THIS DOCUMENT IS THE PROPERTY OF REGAL BELOIT AMERICA, INC. ("OWNER") AND CONTAINS OWNER'S PROPRIETARY INFORMATION. ANY PERSON, CORPORATION OR OTHER FIRM RECEIVING IT IS DEEMED, BY RECEIVING IT, TO AGREE THAT IT, AND/OR ANY PART OF IT, SHALL NOT BE DISCLOSED TO ANY PERSON, CORPORATION OR OTHER ENTITY, DUPLICATED, AND/OR USED, EXCEPT AS EXPRESSLY APPROVED IN WRITING IN ADVANCE BY OWNER. THIS DOCUMENT SHALL BE RETURNED TO OWNER UPON REQUEST. IT MAY BE SUBJECT TO CERTAIN RESTRICTIONS UNDER APPLICABLE EXPORT CONTROL LAWS AND REGULATIONS.</small>		



DRAWN BY LZ	Regal Beloit America, Inc.		
DATE 01-12-1994			
APPROVED BY GK	DESCRIPTION CONN DIAGRAM-EXTERNAL 3Ø-2/1 DELTA-12 LEADS		
DATE 01-14-1994			
REFERENCE	MATERIAL	PROCESS/FINISH	
THIRD ANGLE PROJECTION	SIZE A	DRAWING NUMBER EE7308AA	SHEET 1 OF 1

CERTIFICATION DATA SHEET

Model#: 404TSTDS4017 AR
 CONN. DIAGRAM: A-EE7308AA
 OUTLINE: B-SS511744-1550

WINDING#: T404225 NONE 3
 ASSEMBLY: F1/F2 CAPABLE

TYPICAL MOTOR PERFORMANCE DATA

HP	KW	SYNC. RPM	F.L. RPM	FRAME	ENCLOSURE	KVA CODE	DESIGN
125&100	93&75	3600	3560&2960	404TS	DP	F	B

PH	Hz	VOLTS	FL AMPS	START TYPE	DUTY	INSL	S.F	AMB°C	ELEVATION
3	60/50	230/460#190/ 380	284/142&272/ 136	PWS(LV ONLY) & YDRUN	CONTINUOU S	B1	1.15/1.15	50	3300

FULL LOAD EFF: 93.6&893	3/4 LOAD EFF: 93.6	1/2 LOAD EFF: 92.4	GTD. EFF	ELEC. TYPE	NO LOAD AMPS
FULL LOAD PF: 88&89	3/4 LOAD PF: 86.5	1/2 LOAD PF: 81	92.4	SQ CAGE IND RUN	76 / 38

F.L. TORQUE	LOCKED ROTOR AMPS	L.R. TORQUE	B.D. TORQUE	F.L. RISE°C
185 LB-FT	1700 / 850	275 LB-FT 149	450 LB-FT 243	40

SOUND PRESSURE @ 3 FT.	SOUND POWER	ROTOR WK^2	MAX. WK^2	SAFE STALL TIME	STARTS /HOUR	APPROX. MOTOR WGT
82 dBA	92 dBA	13.5 LB-FT^2	66 LB-FT^2	10 SEC.	2	900 LBS.

*** SUPPLEMENTAL INFORMATION ***

DE BRACKET TYPE	ODE BRACKET TYPE	MOUNT TYPE	ORIENTATION	SEVERE DUTY	HAZARDOUS LOCATION	DRIP COVER	SCREENS	PAINT
STANDARD	STANDARD	RIGID	HORIZONTAL	FALSE	NONE	FALSE	NONE	RED (ENAMEL)

BEARINGS		GREASE	SHAFT TYPE	SPECIAL DE	SPECIAL ODE	SHAFT MATERIAL	FRAME MATERIAL
DE	OPE						
BALL	BALL	POLYREX EM	TS	NONE	NONE	1045 HOT ROLLED (C-204)	CAST IRON
6313	6313						

THERMO-PROTECTORS				THERMISTORS	CONTROL	SPACE /n HEATERS
THERMOSTATS	PROTECTORS	WDG RTDs	BRG RTDs			
NONE	NOT	NONE	NONE	NONE	FALSE	NONE VOLTS

If Inverter equals NONE, contact factory for further information

INVERTER TORQUE: NONE
INV. HP SPEED RANGE: NONE
ENCODER: NONE
NONE NONE
NONE NONE PPR
BRAKE: NONE NONE
NONE P/N NONE
NONE NONE
NONE FT-LB NONE V NONE Hz

*
N
O
T
E
S
*

DATE: 06/21/2017 07:51:39 AM
 FORM 3531 REV.3 02/07/99
 ** Subject to change without notice.

Data Sheet

Date: 1/28/2019
 Customer: _____
 Attention: _____
 Submitted by: FAREEDA DUDEKULA



404TSTDS4017

Submittal

Data @ 460 V

Motor Load Data

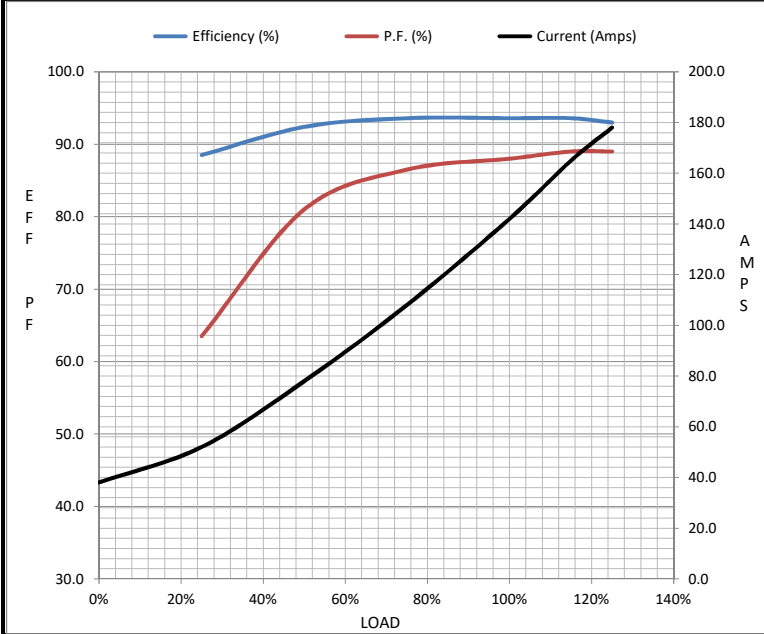
Load	0%	25%	50%	75%	100%	115%	125%	LR
Current (Amps)	38.0	52.0	78.0	108	142	165	178	850
Torque (ft-lb)	0.00	46.0	92.0	138	185	212	231	275
RPM	3600	3590	3580	3570	3560	3,555	3548	0
Efficiency (%)		88.5	92.4	93.6	93.6	93.6	93.0	
P.F. (%)	9.0	63.5	81.0	86.5	88.0	89.0	89.0	34.0

Motor Speed Data

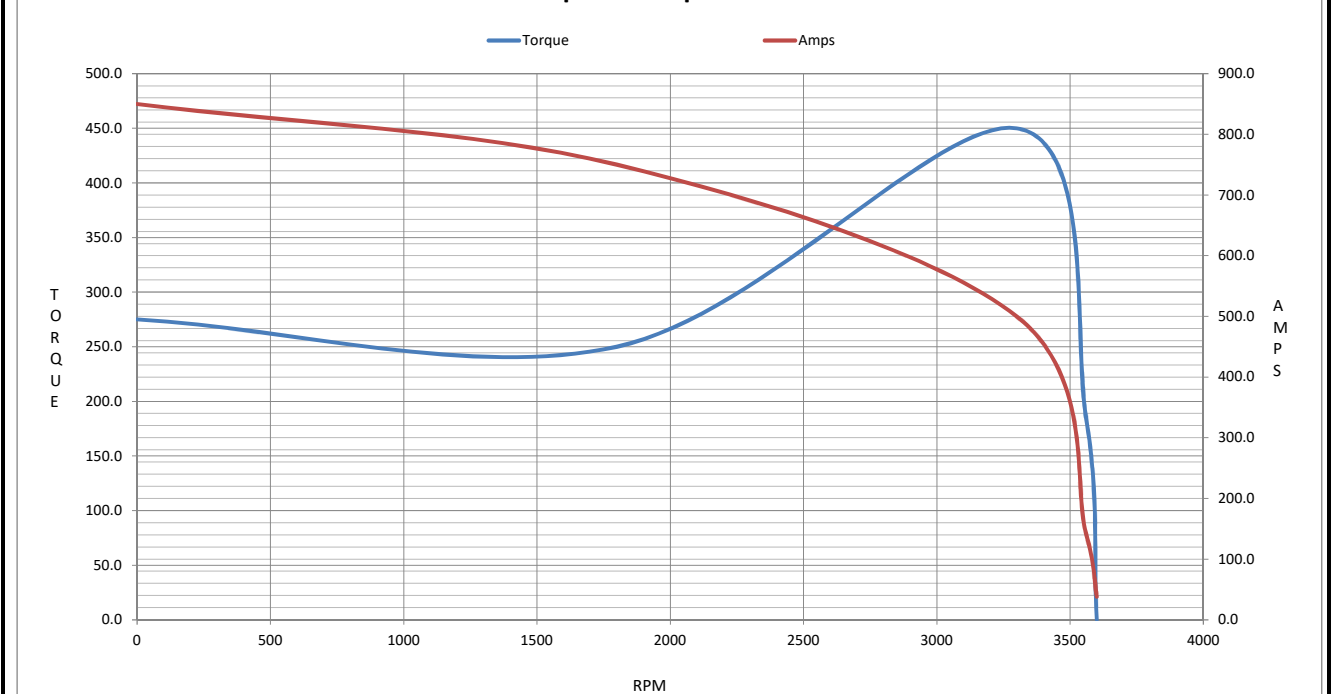
	LR	Pull-Up	BD	Rated	Idle
Speed (RPM)	0	1800	3300	3560	3600
Current (Amps)	850	750	500	142	38.0
Torque (ft-lb)	275	250	450	185	0.00

Information Block

HP	125.0			
Sync. RPM	3600			
Frame	404			
Enclosure	DP			
Construction	TDS			
Voltage	230/460#190/380 V			
Frequency	60 Hz			
Design	B			
LR Code letter	F			
Service Factor	1.15			
Temp Rise @ FL	40 °C			
Duty	CONT			
Ambient	50 °C			
Elevation	3,300 feet			
Rotor/Shaft wk ²	13.5 Lb-Ft ²			
Ref Wdg	T404225 NONE			
Sound Pressure @ 1M	82 dBA			
VFD Rating	NONE			
Outline Dwg	B-SS511744-1550			
Conn. Diag	A-EE7308AA			
Additional Specifications:				
0				
0				
EQUIV CKT (OHMS / PHASE)				
R1	R2	X1	X2	Xm
0.0360	0.0200	0.2460	0.1610	8.7280



Speed - Torque Curve



EC Declaration of Conformity

The undersigned representing
the manufacturer:

Regal Beloit America
100 East Randolph St.
Wausau, WI 54401

and the authorized representative
established within the Community:

Marathon Electric UK
6F Thistleton Road Ind. Estate
Market Overton
Oakham, Rutland LE15 7PP UK

are committed to providing customers with products that comply with applicable regulations and international protocols to which they are subject, including the requirements of the European Parliament Directive on the Harmonization of the laws relating to electrical equipment designed for use within certain voltage limits (2014/35/EU).

Regal Beloit America declares that the following product(s), to which this declaration relates, are in conformity with the relevant sections of the EC standards listed below.

This statement supersedes any statements previously issued pertaining to the product(s) listed below and is subject to change without notice.

Model No : 404TSTDS4017

(Model No. may contain prefix and/or suffix characters)

Catalog No : U530

Rework No : N/A

Directives :

Low Voltage Directive 2014/35/EU

Harmonized Standards Used :

EN 60034-1: 2010 (IEC 60034-1: 2010)

EN 60034-5: 2001/A1:2007 (IEC 60034-5: 2000/A1:2006)

Authorized Representative:



Michael A. Logsdon
Vice President, Technology

Authorized Representative in the Community:



Julian Clark
Marketing Engineer

Created on 09/01/2022

CE 22