

PRODUCT INFORMATION PACKET

Model No: 404TSTD4008

Catalog No: U1121

125 HP Fire Pump Motor, 3 phase, 3600 RPM, 575 V, 404TS Frame, ODP
Fire Pump Motors



Regal and Marathon are trademarks of Regal Rexnord Corporation or one of its affiliated companies.
©2021 Regal Rexnord Corporation, All Rights Reserved. MC017097E



Nameplate Specifications

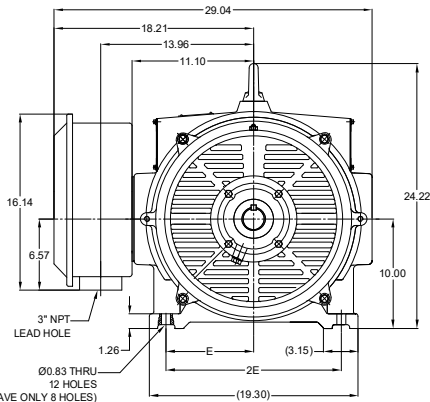
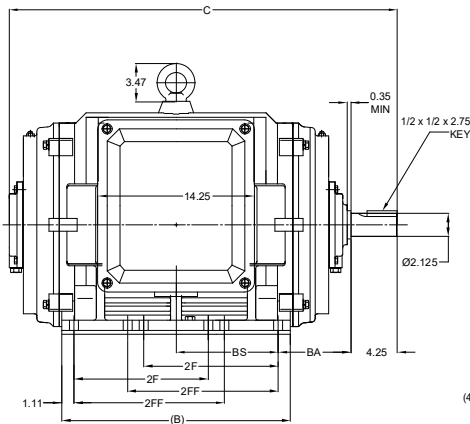
Output HP	125 Hp	Output KW	93.0 kW
Frequency	60 Hz	Voltage	575 V
Current	111.0 A	Speed	3575 rpm
Service Factor	1.15	Phase	3
Efficiency	93.6 %	Power Factor	89
Duty	Continuous	Insulation Class	F
Design Code	B	KVA Code	F
Frame	404TS	Enclosure	Drip Proof
Thermal Protection	No	Ambient Temperature	50 °C
Drive End Bearing Size	6313	Opp Drive End Bearing Size	6313
UL	Listed	CSA	Y
CE	Y	IP Code	23
Number of Speeds	1		

Technical Specifications

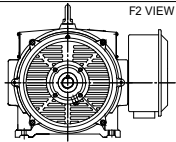
Electrical Type	Squirrel Cage Induction Run	Starting Method	Part Wdg Start & Wye Start Delta Run
Poles	2	Rotation	Reversible
Resistance Main	.07 Ohms	Mounting	Rigid Base
Motor Orientation	Horizontal	Drive End Bearing	Ball
Opp Drive End Bearing	Ball	Frame Material	Cast Iron
Shaft Type	TS	Overall Length	33.86 in
Frame Length	28.75 in	Shaft Diameter	2.125 in
Shaft Extension	4.25 in	Assembly/Box Mounting	F1/F2 CAPABLE
Outline Drawing	SS620752-404TS	Connection Drawing	EE7300BH

This is an uncontrolled document once printed or downloaded and is subject to change without notice. Date Created:10/06/2021

DASH NO.	B	C	E	2E	2F	2FF	BA	BS	MOUNTING	FRAME
100	19.29	33.86	8.00	16.00	---	12.25	6.62	8.54	F1 OR F2	404TS
200	20.87	35.44			12.25	13.75		9.32		404/405TS




F2 VIEW



DRAWING REVISION	REVISION BY	REV DATE/ @ DATE
B	BSWA	10/03/2021
ECO	APPROVED BY	DATE
CR-0001577	GNK	10/03/2021
ECO DESCRIPTION		
DRAWING UPDATED		
<small>COPYRIGHT (P&R REGISTRATION) REGAL BELoit AMERICA, INC. ALL RIGHTS RESERVED. IMPROPER COPY AND COMPARATIVE INFORMATION. THIS DOCUMENT IS THE PROPERTY OF REGAL BELoit AMERICA, INC. OWNER AND CONTAINS OWNER'S PROPRIETARY INFORMATION. ANY PERSONAL COPIES OR USE OF THIS DRAWING IS TO BE DISCOURAGED. BY RECEIVING IT, YOU AGREE THAT IT AND/OR ANY PART OF IT SHALL NOT BE DISCLOSED TO ANY PERSON, CORPORATION OR OTHER ENTITY, UNLESS YOU HAVE BEEN AUTHORIZED AS EXPRESSLY APPROVED IN WRITING IN ADVANCE BY OWNER. THIS DOCUMENT SHALL BE RETURNED TO OWNER UPON REQUEST. IT MAY BE SUBJECT TO CHANGING INSTRUCTIONS UNDER APPLICABLE EXPORT CONTROL LAWS AND REGULATIONS.</small>		

PRIMARY DIMENSIONS ARE INCH
ITEM DIMENSIONS IN (BRACKETS)
ARE FOR REFERENCE ONLY

DRAWN BY	WY
DATE	07/21/2016
APPROVED BY	
DATE	
REFERENCE	
THIRD ANGLE PROJECTION	

 Regal Beloit America, Inc.

DESCRIPTION
OUTLINE
404/405TS FR-NEMA-ODP CAST IRON

MATERIAL PROCESS/FINISH

SIZE B DRAWING NUMBER
SS620752

SHEET
1 OF 1



VIEW OF TERMINAL END

				TOLERANCES UNLESS SPECIFIED		REGAL REGAL-BELOIT CORPORATION	DRAWN RJW 02-11-2005			
				DEC.	INCHES		CHK	ML	02-11-2005	
				.X	±.1		APPD	GK	02-11-2005	
				.XX	±.02	TITLE CONNECTION DIAGRAM		SCALE		
D	CHANGED TO REGAL TITLE BLOCK	ECO-0108299	WGJ 08/22/2016	EMH	.XXX ±.005	12 LEAD- SINGLE VOLTAGE		REF		
1	ADDED IEC TERMINAL MARKINGS	CN 41429	JJB 05/24/2007	ML	.XXXX ±.0005	MAT'L.		FMF		
NO.	REVISION	BY & DATE	CHK	ANG	±7'30"	FINISH		PREV		
THIS DRAWING IN DESIGN AND DETAIL IS OUR PROPERTY AND MUST NOT BE USED EXCEPT IN CONNECTION WITH OUR WORK ALL RIGHTS OF DESIGN AND INVENTION ARE RESERVED THIS IS AN ELECTRONICALLY GENERATED DOCUMENT - DO NOT SCALE THIS PRINT				RFP	02-11-2005	CAD FILE ee7300bh	SIZE	DRAWING NO.	PAGE OF	REV.
				DIST	LB		A	EE7300BH		C



P.O. BOX 8003
 WAUSAU, WI 54401-8003
 PH. 715-675-3311

DATA VOLTS: 460

CERTIFICATION DATA SHEET

CUSTOMER: _____ CUSTOMER P.O. #: _____
 ORDER #: _____ REFERENCE MODEL #: 404TSTD4008
 CONN. DIAGRAM: EE7300BH CAT #: U1121
 OUTLINE: SS620752 CUSTOMER PART #: _____
 WINDING: IE3L2502110 NONE 3 MOUNTING: F1/F2 CAPABLE
 SPEED: _____

TYPICAL MOTOR PERFORMANCE DATA

HP	KW	SYNC RPM	FL RPM	FRAME	ENCLOSURE	TYPE	KVA CODE	DESIGN
125	93	3600	3575	404TS	DP	TDC	F	B

PH	HZ	VOLTS	AMPS	START TYPE	DUTY	INSL	S.F.	AMB	ELEV.
3	60	575	111	PWS & YDRUN	CONT	F	1.15	50	3300

F.L. EFF	93.6	3/4 LD EFF	93.6	1/2 LD EFF	93.0	GTD EFF	91.7	ELECT. TYPE	SQ CAGE IND RUN
F.L. PF	89.0	3/4 LD PF	87.0	1/2 LD PF	82.0				

F.L. TORQUE	LR AMPS @ 460 V	L.R. TORQUE	B.D. TORQUE	F.L. RISE (°C)
184 LB-FT	640	260 LB-FT 141%	425 LB-FT 231%	45

@ 3 FT.	POWER	ROTOR WK ²	MAX. LOAD WK ²	SAFE STALL TIME	STARTS/HOUR	MOTOR WGT
999 dBA	1008 dBA	0.00 LB-FT ²	250 LB-FT ²	20 SEC.	2	0 LB.

*** SUPPLEMENTAL INFORMATION ***

DE BRACKET TYPE	ODE BRACKET TYPE	MOUNT TYPE	MOTOR ORIENTATION	SEVERE DUTY	HAZARDOUS LOCATION	DRIP COVER	SCREENS	PAINT
STANDARD	STANDARD	RIGID	HORIZONTAL	NO	NONE	NO	NONE	RED (ENAMEL)

BEARINGS		GREASE	SHAFT TYPE	SPECIAL DE	SPECIAL ODE	SHAFT MATERIAL	FRAME MATERIAL
DE	ODE						
BALL	BALL	POLYREX EM	TS	NONE	NONE	1045 HOT ROLLED (C-204)	CAST IRON
6313	6313						

THERMOSTATS	PROTECTORS	WDG RTD's	BRG RTD's	THERMISTORS	CONTROL	SPACE HEATERS
NONE	NOT	NONE	NONE	NONE	FALSE	NA

R1 (ohms/ph)	R2 (ohms/ph)	X1 (ohms/ph)	X2 (ohms/ph)	Xm (ohms/ph)	VIBRATION (in/sec)	FLOAT
0.066	0.023	0.294	0.312	11.581	0.150	ODE

* N O T E S *			INVERTER TORQUE: NONE INV. HP SPEED RANGE: NONE ENCODER: NONE NONE NONE NONE PPR

PREPARED BY: FAREEDA DUDEKULA DATE: 8/29/2018	BRAKE: NONE NONE NONE FT-LB: NA VOLTAGE: NONE HZ:
FORM: 3531 REV_4 2/27/06	UL: NONE

Data Sheet

404TSTD4008

Date: 12/13/2018
 Customer: _____
 Attention: _____
 Submitted by: FAREEDA DUDEKULA



Submittal

Data @ 575 V

Motor Load Data

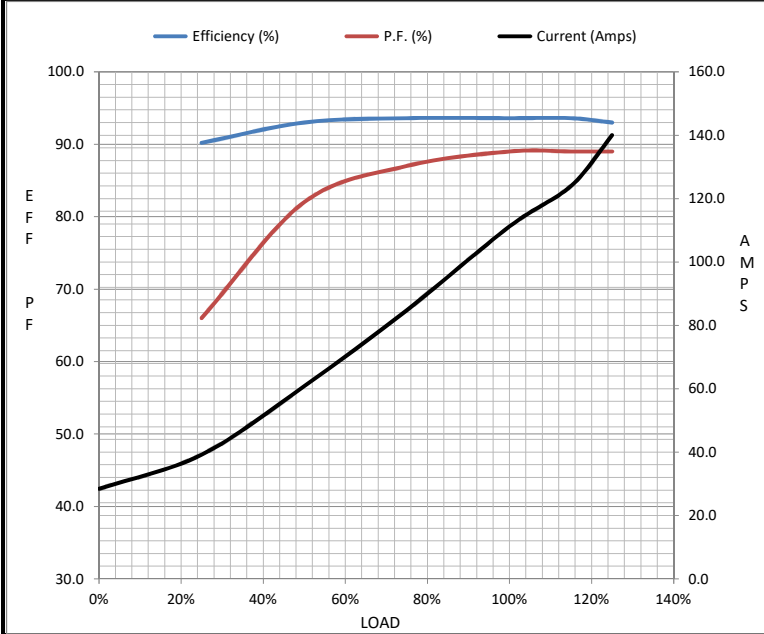
Load	0%	25%	50%	75%	100%	115%	125%	LR
Current (Amps)	28.4	39.2	60.8	84.8	111	124	140	640
Torque (ft-lb)	0.00	45.5	91.5	138	184	212	230	260
RPM	3600	3595	3588	3580	3575	3568	3565	0
Efficiency (%)		90.2	93.0	93.6	93.6	93.6	93.0	
P.F. (%)	8.0	66.0	82.0	87.0	89.0	89.0	89.0	33.0

Motor Speed Data

	LR	Pull-Up	BD	Rated	Idle
Speed (RPM)	0	1800	3450	3575	3600
Current (Amps)	640	600	400	111	28.4
Torque (ft-lb)	260	225	425	184	0.00

Information Block

HP	125.0			
Sync. RPM	3600			
Frame	404			
Enclosure	DP			
Construction	TDC			
Voltage	575 V			
Frequency	60 Hz			
Design	B			
LR Code letter	F			
Service Factor	1.15			
Temp Rise @ FL	45 °C			
Duty	CONT			
Ambient	40 °C			
Elevation	1,000 feet			
Rotor/Shaft wk ²	0.00 Lb-Ft ²			
Ref Wdg	IE3L2502110 NONE			
Sound Pressure @ 1M	999 dBA			
VFD Rating	NONE			
Outline Dwg	SS620752			
Conn. Diag	EE7300BH			
Additional Specifications:				
0				
0				
EQUIV CKT (OHMS / PHASE)				
R1	R2	X1	X2	Xm
0.0660	0.0230	0.2940	0.3120	11.5810



Speed -Torque Curve

