

PRODUCT INFORMATION PACKET

Model No: 404TSTDCD4002

Catalog No: U1121A

Fire Pump Motor, 125 HP, 3 Ph, 60 Hz, 575 V, 3600 RPM, 404TS Frame, DP



Regal and Marathon are trademarks of Regal Rexnord Corporation or one of its affiliated companies.
©2024 Regal Rexnord Corporation, All Rights Reserved. MC017097E



Nameplate Specifications

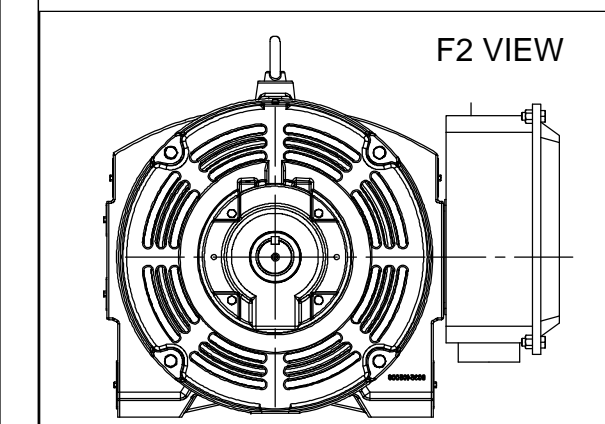
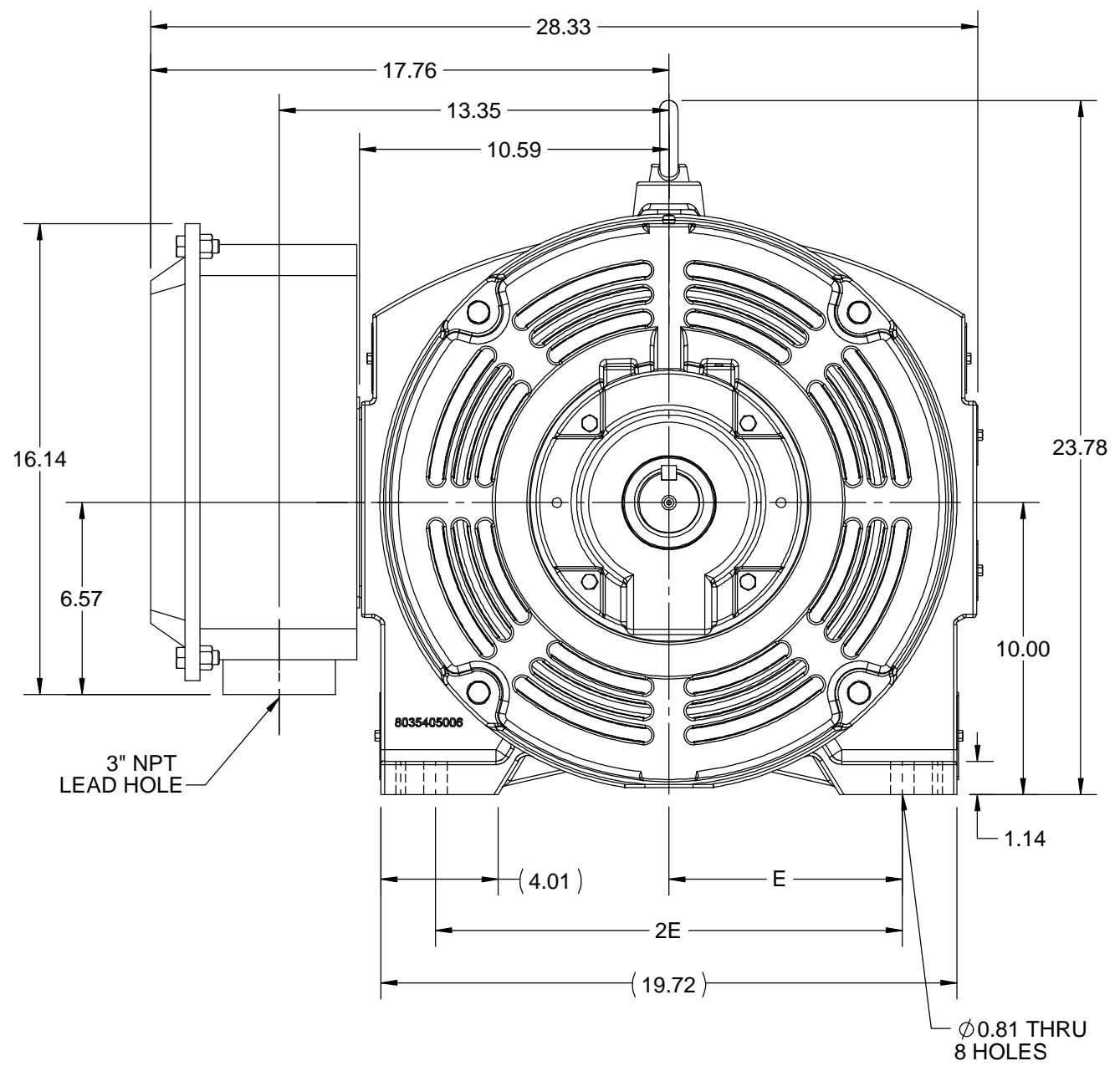
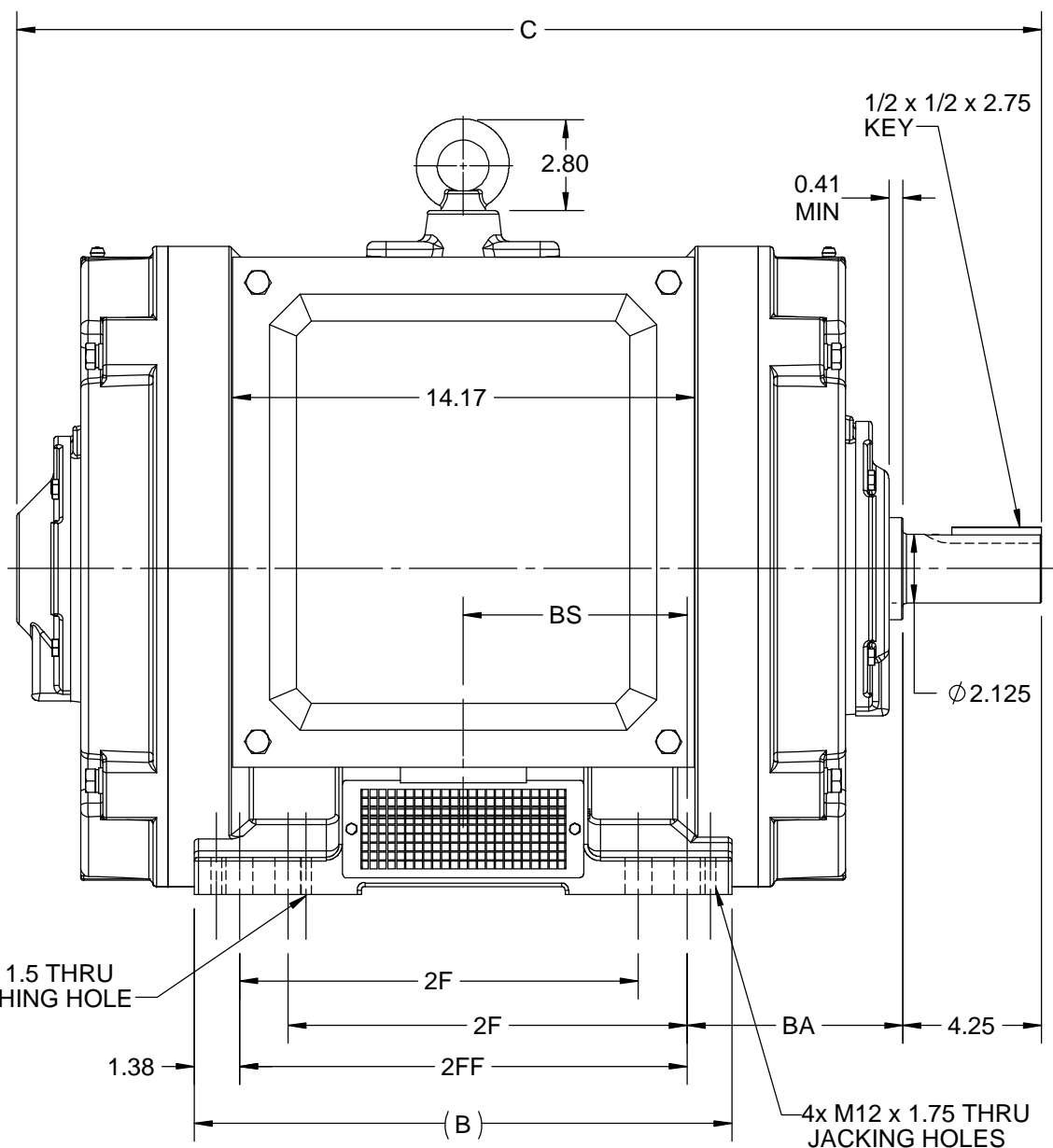
| | | | |
|------------------------|----------------------|----------------------------|-------------------|
| Phase | 3 | Output HP | 125 Hp |
| Output KW | 93.0 kW | Voltage | 575 V |
| Speed | 3573 rpm | Service Factor | 1.15 |
| Frame | 404TS | Enclosure | Drip Proof |
| Thermal Protection | No Protection | Efficiency | 93.6 % |
| Ambient Temperature | 50 °C | Frequency | 60 Hz |
| Current | 111.0 A | Power Factor | 89.7 |
| Duty | Continuous | Insulation Class | F |
| Design Code | B | KVA Code | G |
| Drive End Bearing Size | 6314 | Opp Drive End Bearing Size | 6314 |
| UL | Listed | CSA | Y |
| CE | Y | IP Code | 23 |
| Number of Speeds | 1 | | |

Technical Specifications

| | | | |
|-----------------------|------------------------------------|--------------------|---|
| Electrical Type | Squirrel Cage Induction Run | Starting Method | Part Wdg Start & Wye Start Delta Run |
| Poles | 2 | Rotation | Reversible |
| Resistance Main | .0729 Ohms | Mounting | Rigid Base |
| Motor Orientation | Horizontal | Drive End Bearing | Ball |
| Opp Drive End Bearing | Ball | Frame Material | Cast Iron |
| Shaft Type | TS | Shaft Diameter | 2.125 in |
| Assembly/Box Mounting | F1/F2 CAPABLE | | |
| Outline Drawing | SS620989 | Connection Drawing | EE7300BH |

This is an uncontrolled document once printed or downloaded and is subject to change without notice. Date Created:10/18/2024

| | | | | | | | | | | |
|-------|-------|------|-------|-------|-------|------|------|----------|--|---|
| | 4 | | | | 3 | | | 2 | | 1 |
| B | C | E | 2E | 2F | 2FF | BA | BS | MOUNTING | | |
| 16.85 | 31.44 | 8.00 | 16.00 | 12.25 | 13.75 | 6.62 | 6.87 | F1 OR F2 | | |



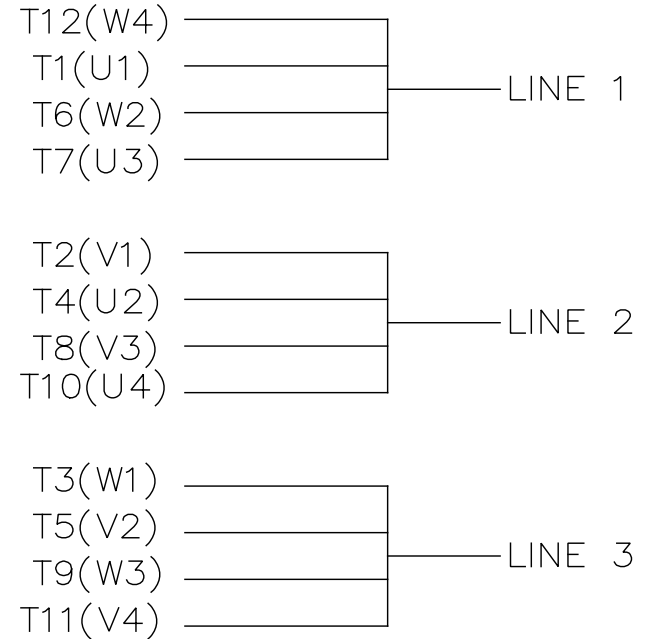
| | | |
|---|--------------------|-------------------------------|
| DRAWING REVISION B | REVISION BY VS | REV DATE/© DATE 25-11-2020 |
| ECO ECO-0195088 | APPROVED BY GNK | DATE 25-11-2020 |
| ECO DESCRIPTION DRAWING UPDATED | | |
| <small>COPYRIGHT (PER REVISION DATE) REGAL BELOIT AMERICA, INC. ALL RIGHTS RESERVED. PROPRIETARY AND CONFIDENTIAL INFORMATION - THIS DOCUMENT IS THE PROPERTY OF REGAL BELOIT AMERICA, INC. ("OWNER") AND CONTAINS OWNER'S PROPRIETARY INFORMATION. ANY PERSON, CORPORATION OR OTHER FIRM RECEIVING IT IS DEEMED, BY RECEIVING IT, TO AGREE THAT IT, AND/OR ANY PART OF IT, SHALL NOT BE DISCLOSED TO ANY PERSON, CORPORATION OR OTHER ENTITY, DUPLICATED, AND/OR USED, EXCEPT AS EXPRESSLY APPROVED IN WRITING IN ADVANCE BY OWNER. THIS DOCUMENT SHALL BE RETURNED TO OWNER UPON REQUEST. IT MAY BE SUBJECT TO CERTAIN RESTRICTIONS UNDER APPLICABLE EXPORT CONTROL LAWS AND REGULATIONS.</small> | | |

PRIMARY DIMENSIONS ARE INCH
mm DIMENSIONS IN [BRACKETS]
ARE FOR REFERENCE ONLY

| | |
|------------------------|--|
| DRAWN BY VS | REGAL ® Regal Beloit America, Inc. |
| DATE 11/01/2019 | |
| APPROVED BY SBD | DESCRIPTION OUTLINE 404/405TS FR NEMA ODP |
| DATE 11/01/2019 | MATERIAL |
| REFERENCE | PROCESS/FINISH |
| THIRD ANGLE PROJECTION | SIZE B |
| | DRAWING NUMBER SS620989 |
| | SHEET 1 OF 1 |



VIEW OF TERMINAL END



| | | | | TOLERANCES UNLESS SPECIFIED | | REGAL REGAL - BELOIT CORPORATION | DRAWN RJW 02-11-2005 | | | | |
|--|------------------------------|-------------|----------------|-----------------------------|--------------|----------------------------------|----------------------|--------|----------------------|---------|--------|
| | | | | DEC. | INCHES | | CHK | ML | 02-11-2005 | | |
| | | | | .X | ±.1 | | APPD | GK | 02-11-2005 | | |
| | | | | .XX | ±.02 | TITLE CONNECTION DIAGRAM | | SCALE | | | |
| D | CHANGED TO REGAL TITLE BLOCK | ECO-0108299 | WGJ 08/22/2016 | EMH | .XXX ±.005 | 12 LEAD- SINGLE VOLTAGE | | REF | | | |
| 1 | ADDED IEC TERMINAL MARKINGS | CN 41429 | JJB 05/24/2007 | ML | .XXXX ±.0005 | MAT'L. | | FMF | | | |
| NO. | REVISION | BY & DATE | CHK | ANG | ±7'30" | FINISH | | PREV | | | |
| THIS DRAWING IN DESIGN AND DETAIL IS OUR PROPERTY AND MUST NOT BE USED EXCEPT IN CONNECTION WITH OUR WORK ALL RIGHTS OF DESIGN AND INVENTION ARE RESERVED THIS IS AN ELECTRONICALLY GENERATED DOCUMENT - DO NOT SCALE THIS PRINT | | | | | | RFP 02-11-2005 | CAD FILE ee7300bh | SIZE A | DRAWING NO. EE7300BH | PAGE OF | REV. C |
| | | | | | | DIST LB | | | | | |



P.O. BOX 8003
 WAUSAU, WI 54401-8003
 PH. 715-675-3311

DATA VOLTS: 575

CERTIFICATION DATA SHEET

CUSTOMER:
 ORDER #:
 CONN. DIAGRAM: EE7300BH
 OUTLINE: SS620989
 WINDING: HA22502102 NONE 3
 SPEED: _____

CUSTOMER P.O. #:
 REFERENCE MODEL #: 404TSTDCC4002
 CAT #: U1121A
 CUSTOMER PART #:
 MOUNTING: F1/F2 CAPABLE

TYPICAL MOTOR PERFORMANCE DATA

| HP | KW | SYNC RPM | FL RPM | FRAME | ENCLOSURE | TYPE | KVA CODE | DESIGN |
|-----|----|----------|--------|-------|-----------|------|----------|--------|
| 125 | 93 | 3600 | 3573 | 404TS | DP | TDC | G | B |

| PH | HZ | VOLTS | AMPS | START TYPE | DUTY | INSL | S.F. | AMB | ELEV. |
|----|----|-------|------|-------------|------|------|------|-----|-------|
| 3 | 60 | 575 | 111 | PWS & YDRUN | CONT | F | 1.15 | 50 | 3300 |

| F.L. EFF | 3/4 LD EFF | 1/2 LD EFF | GTD EFF | ELECT. TYPE |
|--------------|----------------|----------------|---------|-----------------|
| 93.6 | 93.9 | 93.3 | 93.0 | SQ CAGE IND RUN |
| F.L. PF 89.7 | 3/4 LD PF 87.8 | 1/2 LD PF 81.8 | | |

| F.L. TORQUE | LR AMPS @ 460 V | L.R. TORQUE | B.D. TORQUE | F.L. RISE (°C) |
|-------------|-----------------|-------------|-------------|----------------|
| 184 LB-FT | 688 | 270 LB-FT | 450 LB-FT | 70 |
| | | 147% | 245% | |

| SOUND PRESSURE @ 3 FT. | SOUND | POWER | ROTOR WK ² | MAX. LOAD WK ² | SAFE STALL TIME | STARTS/HOUR | APROX. | MOTOR WGT |
|------------------------|--------|-------|--------------------------|---------------------------|-----------------|-------------|--------|-----------|
| 80 dBA | 89 dBA | | 14.11 LB-FT ² | 50 LB-FT ² | 18 SEC. | 2 | 1070 | LB. |

***** SUPPLEMENTAL INFORMATION *****

| DE BRACKET TYPE | ODE BRACKET TYPE | MOUNT TYPE | MOTOR ORIENTATION | SEVERE DUTY | HAZARDOUS LOCATION | DRIP COVER | SCREENS | PAINT |
|-----------------|------------------|------------|-------------------|-------------|--------------------|------------|---------|--------------|
| STANDARD | STANDARD | RIGID | HORIZONTAL | NO | NONE | YES | RODENT | RED (ENAMEL) |

| BEARINGS | | GREASE | SHAFT TYPE | SPECIAL DE | SPECIAL ODE | SHAFT MATERIAL | FRAME MATERIAL |
|----------|----------|------------|------------|------------|-------------|-------------------------|----------------|
| DE BALL | ODE BALL | POLYREX EM | TS | NONE | NONE | 1045 HOT ROLLED (C-204) | CAST IRON |
| 6314 | 6314 | | | | | | |

| THERMOSTATS | PROTECTORS | WDG RTD's | BRG RTD's | THERMISTORS | CONTROL | SPACE HEATERS |
|-------------|------------|-----------|-----------|-------------|---------|---------------|
| NONE | NOT | NONE | NONE | NONE | FALSE | NA |

| R1 (ohms/ph) | R2 (ohms/ph) | X1 (ohms/ph) | X2 (ohms/ph) | Xm (ohms/ph) | VIBRATION (in/sec) | FLOAT |
|--------------|--------------|--------------|--------------|--------------|--------------------|-------|
| 0.1078125 | 0.034375 | 0.48125 | 0.4578125 | 16.396875 | 0.150 | ODE |

| | | | | | | |
|---------------------------------|---------------------------|--|--|--|--|--|
| * N O T E S * | INVERTER TORQUE: NONE | | | | | |
| | INV. HP SPEED RANGE: NONE | | | | | |
| | ENCODER: NONE | | | | | |
| | NONE NONE NONE PPR | | | | | |

| | | | | | |
|---|------------|--|------|--|--|
| PREPARED BY: | | | | | |
| DATE: | 11/17/2021 | | | | |
| BRAKE: NONE | | | NONE | | |
| FT-LB: NA | | | NONE | | |
| VOLTAGE: NONE | | | HZ: | | |
| UL: NO LETTER - ALL BRANDS-UL LISTED FIRE PUMP MOTORS | | | | | |

FORM: 3531 REV. 4 2/27/06

Data Sheet

Date: 11/17/2021
 Customer: _____
 Attention: _____
 Submitted by: _____



404TSTD4002

Submittal

Data @ 575 V

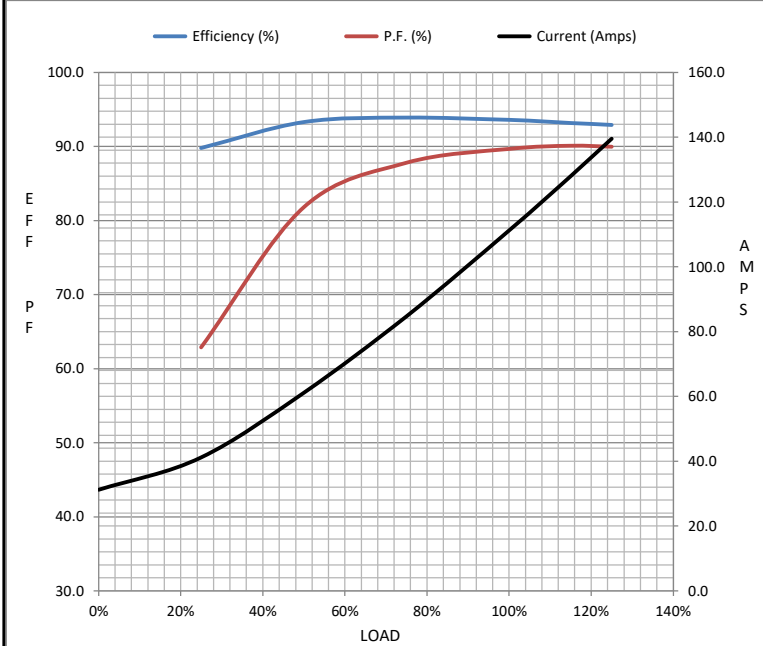
Motor Load Data

| Load | 0% | 25% | 50% | 75% | 100% | 115% | 125% | LR |
|----------------|------|------|------|------|------|-------|------|------|
| Current (Amps) | 31.2 | 41.2 | 61.2 | 84.8 | 111 | 128 | 140 | 688 |
| Torque (ft-lb) | 0.00 | 46.0 | 91.0 | 138 | 184 | 211 | 230 | 270 |
| RPM | 3600 | 3593 | 3587 | 3580 | 3573 | 3,568 | 3565 | 0 |
| Efficiency (%) | | 89.8 | 93.3 | 93.9 | 93.6 | 93.2 | 92.9 | |
| P.F. (%) | 7.7 | 62.9 | 81.8 | 87.8 | 89.7 | 90.1 | 90.0 | 34.0 |

Motor Speed Data

| | LR | Pull-Up | BD | Rated | Idle |
|----------------|-----|---------|------|-------|------|
| Speed (RPM) | 0 | 1800 | 3450 | 3573 | 3600 |
| Current (Amps) | 688 | 552 | 400 | 111 | 31.2 |
| Torque (ft-lb) | 270 | 240 | 450 | 184 | 0.00 |

| Information Block | | | | |
|-----------------------------|-------------------------|--------|--------|---------|
| HP | 125.0 | | | |
| Sync. RPM | 3600 | | | |
| Frame | 404 | | | |
| Enclosure | DP | | | |
| Construction | TDC | | | |
| Voltage | 575 V | | | |
| Frequency | 60 Hz | | | |
| Design | B | | | |
| LR Code letter | G | | | |
| Service Factor | 1.15 | | | |
| Temp Rise @ FL | 70 ° C | | | |
| Duty | CONT | | | |
| Ambient | 40 ° C | | | |
| Elevation | 3,300 feet | | | |
| Rotor/Shaft wk ² | 14.11 Lb-F ² | | | |
| Ref Wdg | HA22502102 NONE | | | |
| Sound Pressure @ 1M | 80 dBA | | | |
| VFD Rating | NONE | | | |
| Outline Dwg | SS620989 | | | |
| Conn. Diag | EE7300BH | | | |
| Additional Specifications: | | | | |
| 0 | | | | |
| 0 | | | | |
| EQUIV CKT (OHMS / PHASE) | | | | |
| R1 | R2 | X1 | X2 | Xm |
| 0.0690 | 0.0220 | 0.3080 | 0.2930 | 10.4940 |



Speed - Torque Curve

