

PRODUCT INFORMATION PACKET

Model No: 404TSTD14008

Catalog No: U1530A

125 HP Fire Pump Motor, 3 phase, 3600 RPM, 380-400 V, 404TS Frame, ODP
Fire Pump Motors



Regal and Marathon are trademarks of Regal Rexnord Corporation or one of its affiliated companies.
©2021 Regal Rexnord Corporation, All Rights Reserved. MC017097E

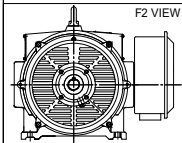
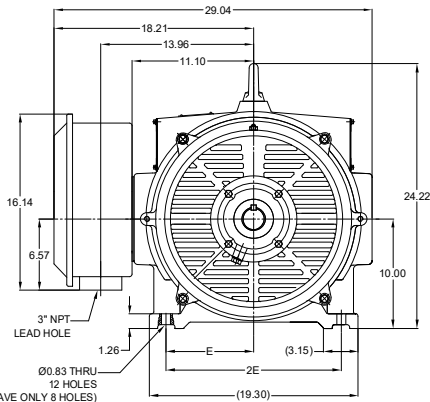
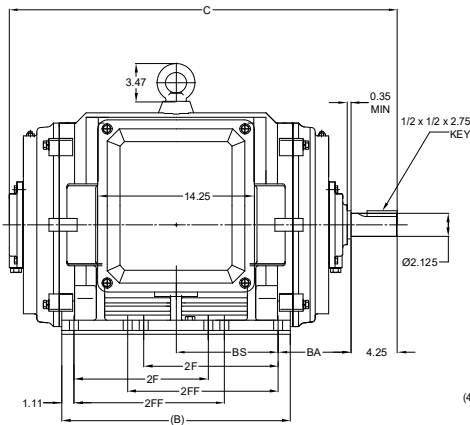
Nameplate Specifications

| | | | |
|------------------------|----------------------|----------------------------|-------------------|
| Output HP | 125 Hp | Output KW | 93.0 kW |
| Frequency | 60 Hz | Voltage | 380-400 V |
| Current | 167.0-159.0 A | Speed | 3575 rpm |
| Service Factor | 1.15 | Phase | 3 |
| Efficiency | 93.6 % | Power Factor | 88 |
| Duty | Continuous | Insulation Class | F |
| Design Code | B | KVA Code | G |
| Frame | 404TS | Enclosure | Drip Proof |
| Thermal Protection | No | Ambient Temperature | 50 °C |
| Drive End Bearing Size | 6313 | Opp Drive End Bearing Size | 6313 |
| UL | Listed | CSA | Y |
| CE | Y | IP Code | 23 |
| Number of Speeds | 1 | | |

Technical Specifications

| | | | |
|-----------------------|------------------------------------|-----------------------|---|
| Electrical Type | Squirrel Cage Induction Run | Starting Method | Part Wdg Start & Wye Start Delta Run |
| Poles | 2 | Rotation | Reversible |
| Resistance Main | .07 Ohms | Mounting | Rigid Base |
| Motor Orientation | Horizontal | Drive End Bearing | Ball |
| Opp Drive End Bearing | Ball | Frame Material | Cast Iron |
| Shaft Type | TS | Overall Length | 33.86 in |
| Frame Length | 19.68 in | Shaft Diameter | 2.125 in |
| Shaft Extension | 4.25 in | Assembly/Box Mounting | F1/F2 CAPABLE |
| Outline Drawing | SS620752-404TS | Connection Drawing | EE7300BH |


| DASH NO. | B | C | E | 2E | 2F | 2FF | BA | BS | MOUNTING | FRAME |
|----------|-------|-------|------|-------|-------|-------|------|------|----------|-----------|
| 100 | 19.29 | 33.86 | 8.00 | 16.00 | --- | 12.25 | 6.62 | 8.54 | F1 OR F2 | 404TS |
| 200 | 20.87 | 35.44 | | | 12.25 | 13.75 | | 9.32 | | 404/405TS |



| DRAWING REVISION | REVISION BY | REV DATE/ @ DATE |
|--|-----------------|------------------|
| B | BSWA | 10/03/2021 |
| ECO CR-0001577 | APPROVED BY GNK | DATE 10/03/2021 |
| ECO DESCRIPTION | | |
| DRAWING UPDATED | | |
| <small>COPYRIGHT (P&R REGISTRATION) REGAL BELLOIT AMERICA, INC. ALL RIGHTS RESERVED. IMPROPER COPY AND COMPARATIVE INFORMATION. THIS DOCUMENT IS THE PROPERTY OF REGAL BELLOIT AMERICA, INC. OWNER AND CONTAINS OWNER'S PROPRIETARY INFORMATION. ANY PERSONAL COPIES OR USE OF THIS DRAWING IS TO BE DISCOURAGED. BY RECEIVING IT, YOU AGREE THAT IT AND/OR ANY PART OF IT SHALL NOT BE DISCLOSED TO ANY PERSON, CORPORATION OR OTHER ENTITY, UNLESS AUTHORIZED AND/OR SIGNED BY AN EXPRESSLY APPROVED REPRESENTATIVE IN ADVANCE BY OWNER. THIS DOCUMENT SHALL BE RETURNED TO OWNER UPON REQUEST. IT MAY BE SUBJECT TO CHANGING INSTRUCTIONS UNDER APPLICABLE EXPORT CONTROL LAWS AND REGULATIONS.</small> | | |

PRIMARY DIMENSIONS ARE INCH
ITEM DIMENSIONS IN (BRACKET)
ARE FOR REFERENCE ONLY

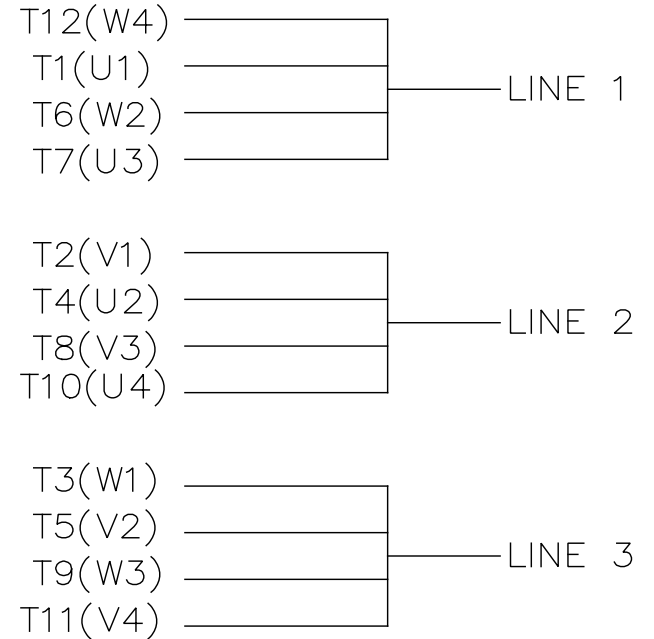
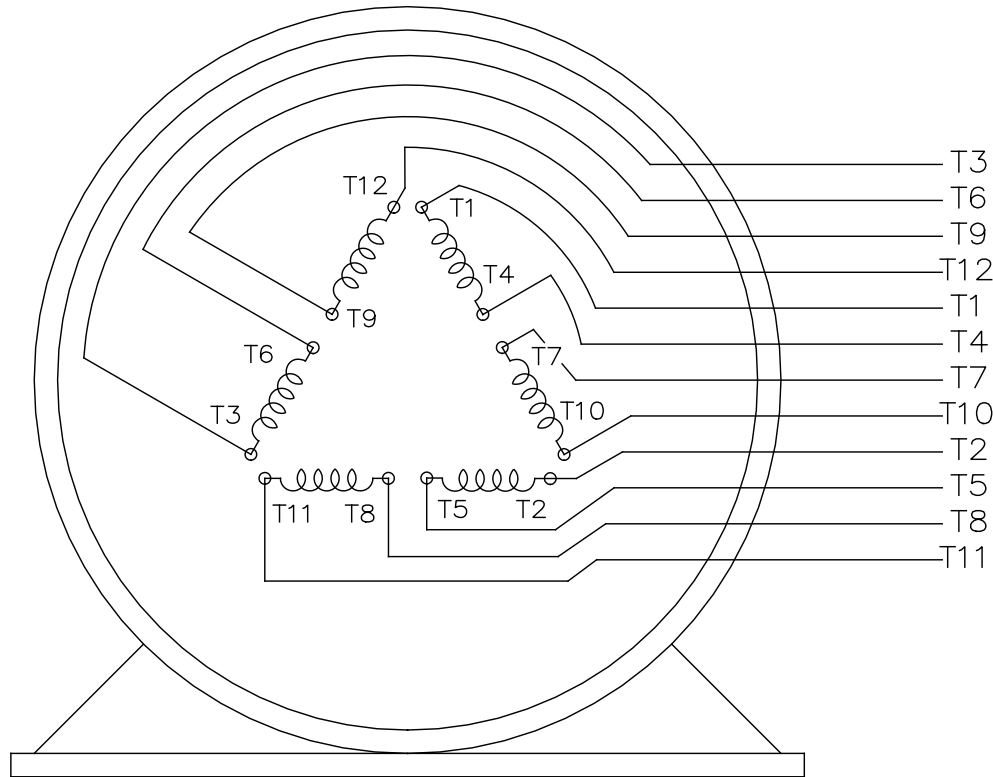
| DRAWN BY | WY |
|------------------------|------------|
| DATE | 07/21/2016 |
| APPROVED BY | |
| DATE | |
| REFERENCE | |
| THIRD ANGLE PROJECTION | |

 Regal Beloit America, Inc.

DESCRIPTION
OUTLINE
404/405TS FR-NEMA-ODP CAST IRON
PROCESS/FINISH

SIZE B DRAWING NUMBER
SS620752

SHEET
1 OF 1



VIEW OF TERMINAL END

| | | | | TOLERANCES UNLESS SPECIFIED | | REGAL REGAL - BELOIT CORPORATION | DRAWN RJW 02-11-2005 | | | | |
|--|------------------------------|-------------|----------------|-----------------------------|--------------|----------------------------------|----------------------|--------|----------------------|---------|--------|
| | | | | DEC. | INCHES | | CHK | ML | 02-11-2005 | | |
| | | | | .X | ±.1 | | APPD | GK | 02-11-2005 | | |
| | | | | .XX | ±.02 | TITLE CONNECTION DIAGRAM | | SCALE | | | |
| D | CHANGED TO REGAL TITLE BLOCK | ECO-0108299 | WGJ 08/22/2016 | EMH | .XXX ±.005 | 12 LEAD- SINGLE VOLTAGE | | REF | | | |
| 1 | ADDED IEC TERMINAL MARKINGS | CN 41429 | JJB 05/24/2007 | ML | .XXXX ±.0005 | MAT'L. | | FMF | | | |
| NO. | REVISION | BY & DATE | CHK | ANG | ±7'30" | FINISH | | PREV | | | |
| THIS DRAWING IN DESIGN AND DETAIL IS OUR PROPERTY AND MUST NOT BE USED EXCEPT IN CONNECTION WITH OUR WORK ALL RIGHTS OF DESIGN AND INVENTION ARE RESERVED THIS IS AN ELECTRONICALLY GENERATED DOCUMENT - DO NOT SCALE THIS PRINT | | | | | | RFP 02-11-2005 | CAD FILE ee7300bh | SIZE A | DRAWING NO. EE7300BH | PAGE OF | REV. C |
| | | | | | | DIST LB | | | | | |



P.O. BOX 8003
 WAUSAU, WI 54401-8003
 PH. 715-675-3311

DATA VOLTS: 460

CERTIFICATION DATA SHEET

CUSTOMER: _____ CUSTOMER P.O. #: _____
 ORDER #: _____ REFERENCE MODEL #: 404TSTDCD14008
 CONN. DIAGRAM: EE7300BH CAT #: U531A
 OUTLINE: SS620752 CUSTOMER PART #: _____
 WINDING: IE3L2502110 NONE 2 MOUNTING: F1/F2 CAPABLE
 SPEED: _____

TYPICAL MOTOR PERFORMANCE DATA

| HP | KW | SYNC RPM | FL RPM | FRAME | ENCLOSURE | TYPE | KVA CODE | DESIGN |
|-----|----|----------|--------|-------|-----------|------|----------|--------|
| 125 | 93 | 3600 | 3575 | 404TS | DP | TDC | F | B |

| PH | HZ | VOLTS | AMPS | START TYPE | DUTY | INSL | S.F. | AMB | ELEV. |
|----|----|---------|---------|-------------|------|------|------|-----|-------|
| 3 | 60 | 380-400 | 167-159 | PWS & YDRUN | CONT | F | 1.15 | 50 | 3300 |

| F.L. EFF | 93.6 | 3/4 LD EFF | 93.6 | 1/2 LD EFF | 93.0 | GTD EFF | 91.7 | ELECT. TYPE | SQ CAGE IND RUN |
|----------|------|------------|------|------------|------|---------|------|-------------|-----------------|
| F.L. PF | 89.0 | 3/4 LD PF | 87.0 | 1/2 LD PF | 82.0 | | | | |

| F.L. TORQUE | LR AMPS @ 460 V | L.R. TORQUE | B.D. TORQUE | F.L. RISE (°C) |
|-------------|-----------------|----------------|----------------|----------------|
| 184 LB-FT | 920 | 260 LB-FT 141% | 425 LB-FT 231% | 45 |

| @ 3 FT. | POWER | ROTOR WK ² | MAX. LOAD WK ² | SAFE STALL TIME | STARTS/HOUR | MOTOR WGT |
|---------|----------|-------------------------|---------------------------|-----------------|-------------|-----------|
| 999 dBA | 1008 dBA | 0.00 LB-FT ² | 250 LB-FT ² | 20 SEC. | 2 | 0 LB. |

*** SUPPLEMENTAL INFORMATION ***

| DE BRACKET TYPE | ODE BRACKET TYPE | MOUNT TYPE | MOTOR ORIENTATION | SEVERE DUTY | HAZARDOUS LOCATION | DRIP COVER | SCREENS | PAINT |
|-----------------|------------------|------------|-------------------|-------------|--------------------|------------|---------|--------------|
| STANDARD | STANDARD | RIGID | HORIZONTAL | NO | NONE | NO | NONE | RED (ENAMEL) |

| BEARINGS | | GREASE | SHAFT TYPE | SPECIAL DE | SPECIAL ODE | SHAFT MATERIAL | FRAME MATERIAL |
|----------|------|------------|------------|------------|-------------|-------------------------|----------------|
| DE | ODE | | | | | | |
| BALL | BALL | POLYREX EM | TS | NONE | NONE | 1045 HOT ROLLED (C-204) | CAST IRON |
| 6313 | 6313 | | | | | | |

| THERMOSTATS | PROTECTORS | WDG RTD's | BRG RTD's | THERMISTORS | CONTROL | SPACE HEATERS |
|-------------|------------|-----------|-----------|-------------|---------|---------------|
| NONE | NOT | NONE | NONE | NONE | FALSE | NA |

| R1 (ohms/ph) | R2 (ohms/ph) | X1 (ohms/ph) | X2 (ohms/ph) | Xm (ohms/ph) | VIBRATION (in/sec) | FLOAT |
|--------------|--------------|--------------|--------------|--------------|--------------------|-------|
| 0.032 | 0.011 | 0.142 | 0.151 | 5.604 | 0.150 | ODE |

| | | |
|---------------------------------|---------------------------|--|
| * N O T E S * | INVERTER TORQUE: NONE | |
| | INV. HP SPEED RANGE: NONE | |
| | ENCODER: NONE | |
| | NONE | |
| | NONE NONE PPR | |

| | |
|-------------------------------|-------------------|
| PREPARED BY: FAREEDA DUDEKULA | BRAKE: NONE |
| DATE: 9/19/2018 | NONE NONE |
| | FT-LB: NA |
| | VOLTAGE: NONE HZ: |
| | UL: NONE |

FORM: 3531 REV_4 2/27/06

Data Sheet

404TSTD14008

Date: 12/12/2018
 Customer: _____
 Attention: _____
 Submitted by: FAREEDA DUDEKULA



Submittal

Data @ 400 V

Motor Load Data

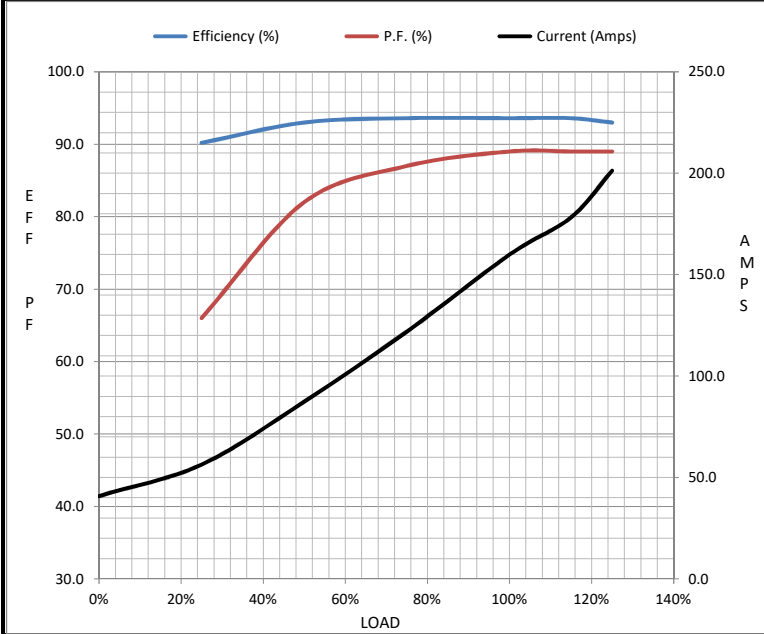
| Load | 0% | 25% | 50% | 75% | 100% | 115% | 125% | LR |
|----------------|------|------|------|------|------|------|------|------|
| Current (Amps) | 40.8 | 56.4 | 87.4 | 122 | 160 | 178 | 201 | 920 |
| Torque (ft-lb) | 0.00 | 45.5 | 91.5 | 138 | 184 | 212 | 230 | 260 |
| RPM | 3600 | 3595 | 3588 | 3580 | 3575 | 3568 | 3565 | 0 |
| Efficiency (%) | | 90.2 | 93.0 | 93.6 | 93.6 | 93.6 | 93.0 | |
| P.F. (%) | 8.0 | 66.0 | 82.0 | 87.0 | 89.0 | 89.0 | 89.0 | 33.0 |

Motor Speed Data

| | LR | Pull-Up | BD | Rated | Idle |
|----------------|-----|---------|------|-------|------|
| Speed (RPM) | 0 | 1800 | 3450 | 3575 | 3600 |
| Current (Amps) | 920 | 863 | 575 | 160 | 40.8 |
| Torque (ft-lb) | 260 | 225 | 425 | 184 | 0.00 |

Information Block

| | | | | |
|-----------------------------|-------------------------|--------|--------|--------|
| HP | 125.0 | | | |
| Sync. RPM | 3600 | | | |
| Frame | 404 | | | |
| Enclosure | DP | | | |
| Construction | TDC | | | |
| Voltage | 380-400 V | | | |
| Frequency | 60 Hz | | | |
| Design | B | | | |
| LR Code letter | F | | | |
| Service Factor | 1.15 | | | |
| Temp Rise @ FL | 45 °C | | | |
| Duty | CONT | | | |
| Ambient | 40 °C | | | |
| Elevation | 1,000 feet | | | |
| Rotor/Shaft wk ² | 0.00 Lb-Ft ² | | | |
| Ref Wdg | IE3L2502110 NONE | | | |
| Sound Pressure @ 1M | 999 dBA | | | |
| VFD Rating | NONE | | | |
| Outline Dwg | SS620752 | | | |
| Conn. Diag | EE7300BH | | | |
| Additional Specifications: | | | | |
| 0 | | | | |
| 0 | | | | |
| EQUIV CKT (OHMS / PHASE) | | | | |
| R1 | R2 | X1 | X2 | Xm |
| 0.0320 | 0.0110 | 0.1420 | 0.1510 | 5.6040 |



Speed - Torque Curve

