

# PRODUCT INFORMATION PACKET

Model No: 365TTFS16088

Catalog No: M910B

Vertical Pump Motor, 50 & 40 HP, 3 Ph, 60 & 50 Hz, 230/460 & 190/380 V, 1200 & 1000 RPM,  
365HPV Frame, TEFC



Regal and Marathon are trademarks of Regal Rexnord Corporation or one of its affiliated companies.

©2023 Regal Rexnord Corporation, All Rights Reserved. MC017097E

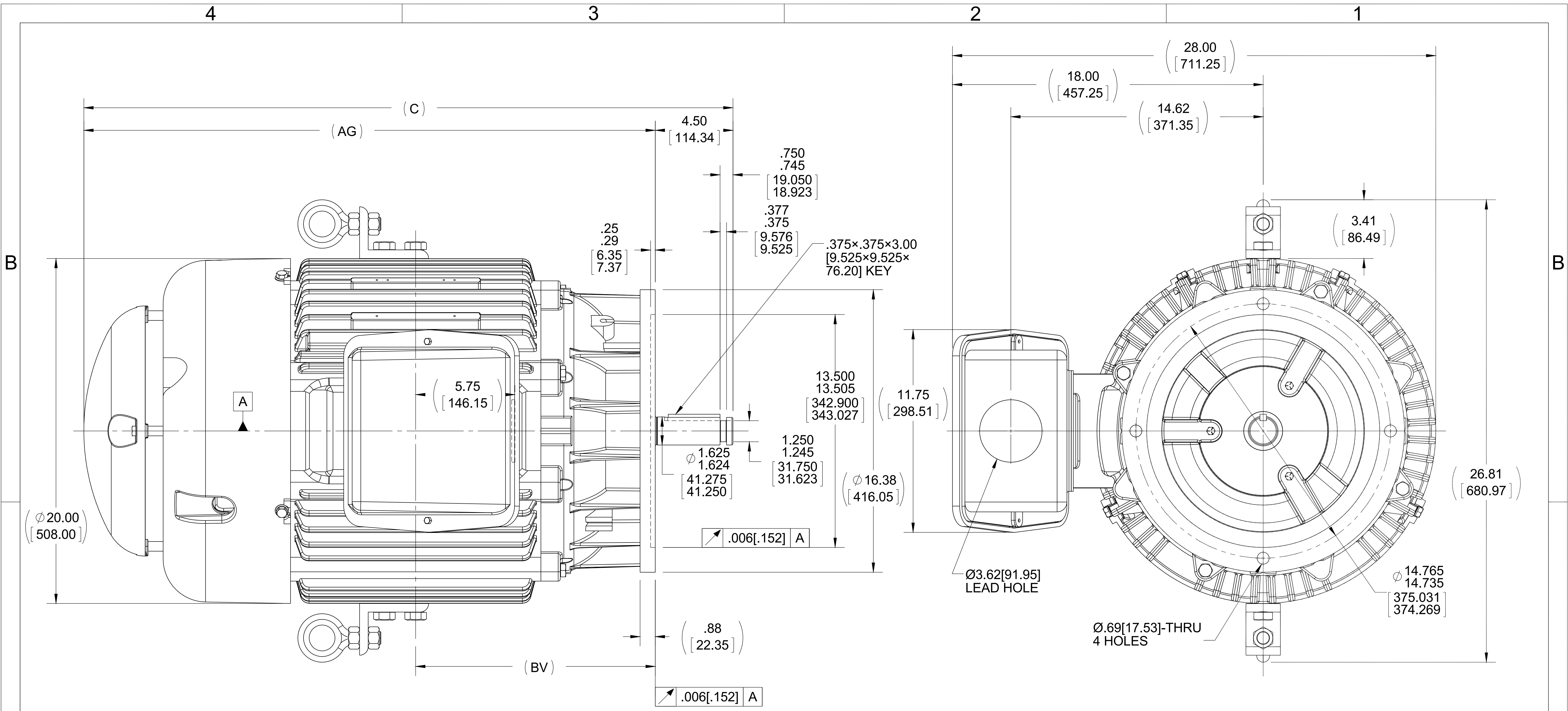


**Nameplate Specifications**

|                        |                                  |                            |                                    |
|------------------------|----------------------------------|----------------------------|------------------------------------|
| Phase                  | <b>3</b>                         | Output HP                  | <b>50 &amp; 40 Hp</b>              |
| Output KW              | <b>37.0 &amp; 30.0 kW</b>        | Voltage                    | <b>230/460 &amp; 190/380 V</b>     |
| Speed                  | <b>1182 &amp; 982 rpm</b>        | Service Factor             | <b>1.15 &amp; 1.15</b>             |
| Frame                  | <b>365HPV</b>                    | Enclosure                  | <b>Totally Enclosed Fan Cooled</b> |
| Thermal Protection     | <b>No Protection</b>             | Efficiency                 | <b>94.5 &amp; 93.6 %</b>           |
| Ambient Temperature    | <b>40 °C</b>                     | Frequency                  | <b>60 &amp; 50 Hz</b>              |
| Current                | <b>123/61.5 &amp; 121/60.5 A</b> | Power Factor               | <b>80.5</b>                        |
| Duty                   | <b>Continuous</b>                | Insulation Class           | <b>F</b>                           |
| Design Code            | <b>B</b>                         | KVA Code                   | <b>G</b>                           |
| Drive End Bearing Size | <b>6312</b>                      | Opp Drive End Bearing Size | <b>6312</b>                        |
| UL                     | <b>Recognized</b>                | CSA                        | <b>Y</b>                           |
| CE                     | <b>Y</b>                         | IP Code                    | <b>43</b>                          |
| Number of Speeds       | <b>1</b>                         |                            |                                    |

**Technical Specifications**

|                       |                                    |                       |   |
|-----------------------|------------------------------------|-----------------------|---|
| Electrical Type       | <b>Squirrel Cage Induction Run</b> | Starting Method       | <b>Part Wdg Start Low Volt Only &amp; Wye Start Delta Run</b> |
| Poles                 | <b>6</b>                           | Rotation              | <b>Reversible</b>   |
| Resistance Main       | <b>.12 Ohms</b>                    | Mounting              | <b>Round</b>  |
| Motor Orientation     | <b>Shaft Down</b>                  | Drive End Bearing     | <b>Ball</b>   |
| Opp Drive End Bearing | <b>Ball</b>                        | Frame Material        | <b>Cast Iron</b>  |
| Shaft Type            | <b>HP</b>                          | Overall Length        | <b>37.61 in</b>   |
| Frame Length          | <b>14.50 in</b>                    | Shaft Diameter        | <b>1.625 in</b>   |
| Shaft Extension       | <b>4.50 in</b>                     | Assembly/Box Mounting | <b>F1/F2 CAPABLE</b>  |
| Connection Drawing    | <b>A-EE7308AA</b>                  | Outline Drawing       | <b>B-SS518657-1450</b>  |



- NOTES:  
 1. CONDUIT BOX CAN BE ROTATED IN 90° STEPS  
 2. NAMEPLATES TO BE READ FROM CONDUIT BOX SIDE OF MOTOR

(REPLACES B-SS507344)

| DASH | FRAME  | C                 | AG                | BV                |
|------|--------|-------------------|-------------------|-------------------|
| 1450 | 360HPV | 37.61<br>[955.29] | 33.11<br>[840.99] | 13.88<br>[352.55] |

|   |                    |                    |
|---|--------------------|--------------------|
| DRAWING REVISION<br>F   | REVISION BY<br>AJW | DATE<br>07-21-2015 |
| ECO<br>ECO-0081851  | APPROVED BY<br>JHA | DATE<br>07-21-2015 |
| ECO DESCRIPTION<br>UPDATED TO CURRENT STANDARDS<br>COPYRIGHT REGAL BELOIT AMERICA, INC. ALL RIGHTS RESERVED.<br>PROPRIETARY AND CONFIDENTIAL INFORMATION - THIS DOCUMENT IS THE PROPERTY OF<br>REGAL BELOIT AMERICA, INC. ("OWNER") AND CONTAINS OWNER'S PROPRIETARY<br>INFORMATION. ANY PERSON, CORPORATION OR OTHER FIRM RECEIVING IT IS DEEMED,<br>BY RECEIVING IT, TO AGREE THAT IT, AND/OR ANY PART OF IT, SHALL NOT BE DISCLOSED<br>TO ANY PERSON, CORPORATION OR OTHER ENTITY, DUPLICATED, AND/OR USED, EXCEPT<br>AS EXPRESSLY APPROVED IN WRITING IN ADVANCE BY OWNER. THIS DOCUMENT SHALL<br>BE RETURNED TO OWNER UPON REQUEST. IT MAY BE SUBJECT TO CERTAIN<br>RESTRICTIONS UNDER APPLICABLE EXPORT CONTROL LAWS AND REGULATIONS. |                    |                    |

TOLERANCES UNLESS OTHERWISE SPECIFIED:

| DEC.  | INCH    | mm        | ANGLE   |
|-------|---------|-----------|---------|
| .X    | ±0.1    | [±2.5]    | ±7° 30" |
| .XX   | ±0.03   | [±0.76]   |         |
| .XXX  | ±0.005  | [±0.127]  |         |
| .XXXX | ±0.0005 | [±0.0127] |         |

REMOVE BURRS & BREAK SHARP EDGES: .003/.015 [0.076/.381] X 45°  
 CORNER FILLETS: R.02 [51]  
 MACHINED SURFACES: 200 INCH/mm 5.1  
 mm SHOWN IN [BRACKETS]

|                        |
|------------------------|
| DRAWN BY<br>TJB        |
| DATE<br>08-10-2001     |
| APPROVED BY<br>GK      |
| DATE<br>08-13-2001     |
| REFERENCE              |
| THIRD ANGLE PROJECTION |

|   |                                   |
|---|-----------------------------------|
| <b>REGAL</b> ™ Regal Beloit America, Inc.                   |                                   |
| DESCRIPTION<br><b>OUTLINE</b><br>360HPV-TEFC-VERT. 'P' BASE |                                   |
| MATERIAL  | PROCESS/FINISH                    |
| SIZE<br><b>B</b>  | DRAWING NUMBER<br><b>SS518657</b> |
| SHEET<br>1 OF 1   |                                   |



### LOW VOLTAGE



### HIGH VOLTAGE



### VIEW OF TERMINAL END

|   |                              |                           |
|---|------------------------------|---------------------------|
| DRAWING REVISION<br><b>K</b>  | REVISION BY<br><b>AJW</b>    | DATE<br><b>07-17-2015</b> |
| ECO<br><b>ECO-0081632</b>   | APPROVED BY<br><b>T. VUE</b> | DATE<br><b>07-17-2015</b> |
| ECO DESCRIPTION<br><b>REV'D IEC MARKINGS PER IEC 60034-8</b>  |                              |                           |
| <small>COPYRIGHT REGAL BELOIT AMERICA, INC. ALL RIGHTS RESERVED.<br/>         PROPRIETARY AND CONFIDENTIAL INFORMATION - THIS DOCUMENT IS THE PROPERTY OF<br/>         REGAL BELOIT AMERICA, INC. ("OWNER") AND CONTAINS OWNER'S PROPRIETARY<br/>         INFORMATION. ANY PERSON, CORPORATION OR OTHER FIRM RECEIVING IT IS DEEMED,<br/>         BY RECEIVING IT, TO AGREE THAT IT, AND/OR ANY PART OF IT, SHALL NOT BE DISCLOSED<br/>         TO ANY PERSON, CORPORATION OR OTHER ENTITY, DUPLICATED, AND/OR USED, EXCEPT<br/>         AS EXPRESSLY APPROVED IN WRITING IN ADVANCE BY OWNER. THIS DOCUMENT SHALL<br/>         BE RETURNED TO OWNER UPON REQUEST. IT MAY BE SUBJECT TO CERTAIN<br/>         RESTRICTIONS UNDER APPLICABLE EXPORT CONTROL LAWS AND REGULATIONS.</small> |                              |                           |



|                           |
|---------------------------|
| DRAWN BY<br><b>LZ</b>     |
| DATE<br><b>01-12-1994</b> |
| APPROVED BY<br><b>GK</b>  |
| DATE<br><b>01-14-1994</b> |
| REFERENCE                 |
| THIRD ANGLE PROJECTION    |

|  |                                   |
|--|-----------------------------------|
| <b>Regal Beloit America, Inc.</b>  |                                   |
| <b>DESCRIPTION</b><br><b>CONN DIAGRAM-EXTERNAL</b><br><b>3Ø-2/1 DELTA-12 LEADS</b> |                                   |
| MATERIAL   | PROCESS/FINISH                    |
| SIZE<br><b>A</b>   | DRAWING NUMBER<br><b>EE7308AA</b> |
| SHEET<br><b>1 OF 1</b>   |                                   |



P.O. BOX 8003  
WAUSAU, WI 54401-8003  
PH. 715-675-3311

DATA VOLTS: 460

**CERTIFICATION DATA SHEET**

CUSTOMER: \_\_\_\_\_ CUSTOMER P.O. #: \_\_\_\_\_  
 ORDER #: \_\_\_\_\_ REFERENCE MODEL #: 365TTFS16088  
 CONN. DIAGRAM: A-EE7308AA CAT #: M910B  
 OUTLINE: B-SS518657-1450 CUSTOMER PART #: \_\_\_\_\_  
 WINDING: T367601 NONE 6 MOUNTING: F1/F2 CAPABLE  
 SPEED: \_\_\_\_\_

**TYPICAL MOTOR PERFORMANCE DATA**

| HP | KW | SYNC RPM | FL RPM | FRAME  | ENCLOSURE | TYPE | KVA CODE | DESIGN |
|----|----|----------|--------|--------|-----------|------|----------|--------|
| 50 | 37 | 1200     | 1182   | 365HPV | TEFC      | TFS  | G        | BC     |

| PH | HZ    | VOLTS           | AMPS              | START TYPE         | DUTY | INSL | S.F. | AMB | ELEV. |
|----|-------|-----------------|-------------------|--------------------|------|------|------|-----|-------|
| 3  | 60/50 | 230/460#190/380 | 123/61.5&121/60.5 | WS(LV ONLY) & YDRU | CONT | F    | 1.15 | 40  | 3300  |

| F.L. EFF | 94.5 | 3/4 LD EFF | 94.5 | 1/2 LD EFF | 94.1 | GTD EFF | ELECT. TYPE     |
|----------|------|------------|------|------------|------|---------|-----------------|
| F.L. PF  | 80.5 | 3/4 LD PF  | 76.0 | 1/2 LD PF  | 66.0 | 93.6    | SQ CAGE IND RUN |

| F.L. TORQUE | LR AMPS @ 460 V | L.R. TORQUE    | B.D. TORQUE    | F.L. RISE (° C) |
|-------------|-----------------|----------------|----------------|-----------------|
| 222 LB-FT   | 362             | 445 LB-FT 200% | 625 LB-FT 282% | 70              |

| @ 3 FT. | POWER  | ROTOR WK²   | MAX. LOAD WK² | SAFE STALL TIME | STARTS/HOUR | MOTOR WGT |
|---------|--------|-------------|---------------|-----------------|-------------|-----------|
| 58 dBA  | 67 dBA | 17.2 LB-FT² | 0 LB-FT²      | 25 SEC.         | 0           | 1025 LB.  |

\*\*\* SUPPLEMENTAL INFORMATION \*\*\*

| DE BRACKET TYPE | ODE BRACKET TYPE | MOUNT TYPE | MOTOR ORIENTATION | SEVERE DUTY | HAZARDOUS LOCATION | DRIP COVER | SCREENS | PAINT         |
|-----------------|------------------|------------|-------------------|-------------|--------------------|------------|---------|---------------|
| P-BASE          | STANDARD         | ROUND      | SHAFT DOWN        | NO          | NONE               | YES        | NONE    | BLUE (ENAMEL) |

| BEARINGS |      | GREASE     | SHAFT TYPE | SPECIAL DE | SPECIAL ODE | SHAFT MATERIAL          | FRAME MATERIAL |
|----------|------|------------|------------|------------|-------------|-------------------------|----------------|
| DE       | ODE  | POLYREX EM | HP         | NONE       | NONE        | 1045 HOT ROLLED (C-204) | CAST IRON      |
| BALL     | BALL |            |            |            |             |                         |                |
| 6312     | 6312 |            |            |            |             |                         |                |

| THERMOSTATS | PROTECTORS | WDG RTD's | BRG RTD's | THERMISTORS | CONTROL | SPACE HEATERS |
|-------------|------------|-----------|-----------|-------------|---------|---------------|
| NONE        | NOT        | NONE      | NONE      | NONE        | FALSE   | NA            |

| R1 (ohms/ph) | R2 (ohms/ph) | X1 (ohms/ph) | X2 (ohms/ph) | Xm (ohms/ph) | VIBRATION (in/sec) | FLOAT |
|--------------|--------------|--------------|--------------|--------------|--------------------|-------|
| 0.079        | 0.071        | 0.414        | 0.675        | 9.991        | 0.150              | ODE   |

|                                 |  |  |  |  |  |  |
|---------------------------------|--|--|--|--|--|--|
| *<br>N<br>O<br>T<br>E<br>S<br>* | INVERTER TORQUE: NONE<br>INV. HP SPEED RANGE: NONE |  |  |  |  |  |
|                                 | ENCODER: NONE<br>NONE<br>NONE                      |  |  |  |  |  |
|                                 | BRAKE: NONE<br>NONE                                |  |  |  |  |  |
|                                 | FT-LB: NA<br>VOLTAGE: NONE                         |  |  |  |  |  |
|                                 | UL: V-INS, CONST UL REC                            |  |  |  |  |  |

PREPARED BY: FAREEDA DUDEKULA  
 DATE: 9/11/2018

Data Sheet

365TTFS16088

Date: 11/30/2018  
 Customer: \_\_\_\_\_  
 Attention: \_\_\_\_\_  
 Submitted by: FAREEDA DUDEKULA



Submittal

Data @ 460 V

Motor Load Data

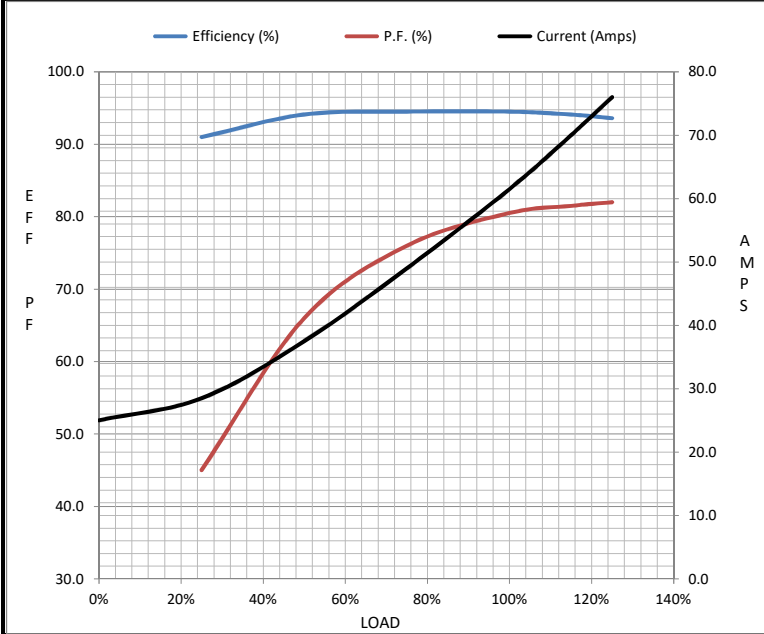
| Load           | 0%   | 25%  | 50%  | 75%  | 100% | 115%  | 125% | LR   |
|----------------|------|------|------|------|------|-------|------|------|
| Current (Amps) | 25.0 | 28.5 | 37.5 | 49.0 | 61.5 | 70.0  | 76.0 | 362  |
| Torque (ft-lb) | 0.00 | 55.0 | 110  | 166  | 222  | 256   | 280  | 445  |
| RPM            | 1200 | 1195 | 1192 | 1188 | 1182 | 1,178 | 1175 | 0    |
| Efficiency (%) |      | 91.0 | 94.1 | 94.5 | 94.5 | 94.1  | 93.6 |      |
| P.F. (%)       | 4.0  | 45.0 | 66.0 | 76.0 | 80.5 | 81.5  | 82.0 | 34.0 |

Motor Speed Data

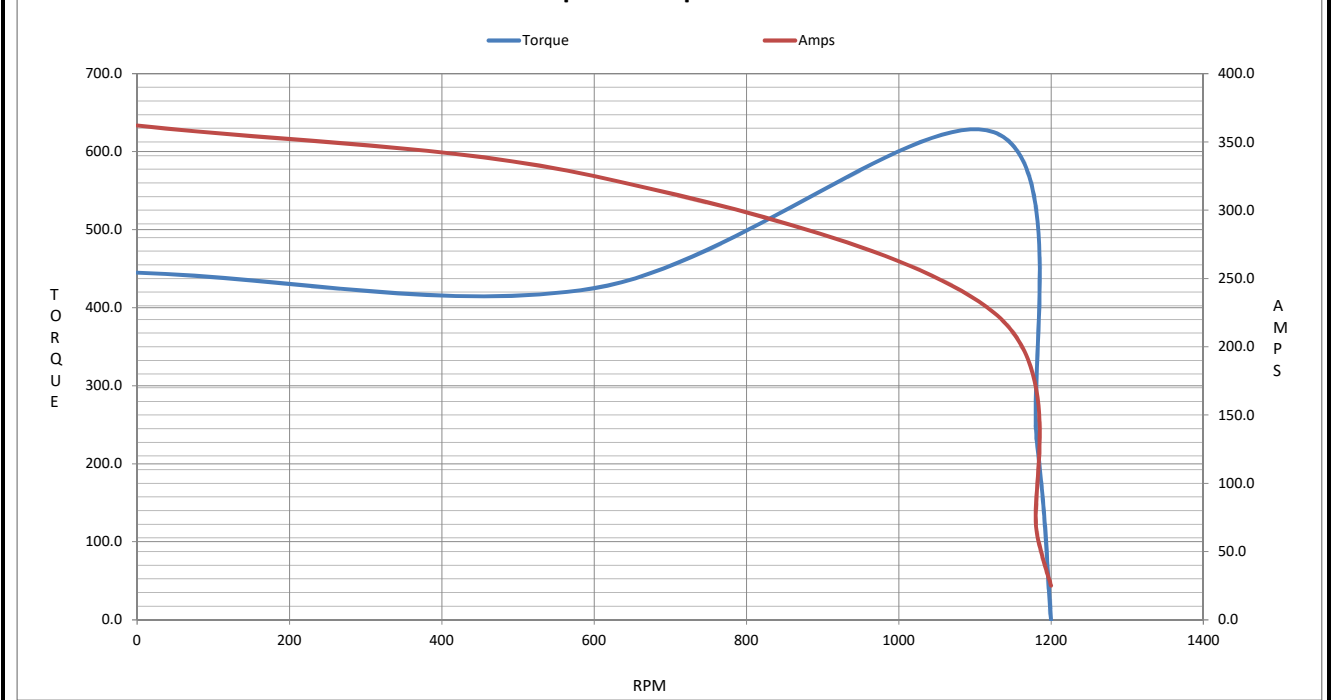
|                | LR  | Pull-Up | BD   | Rated | Idle |
|----------------|-----|---------|------|-------|------|
| Speed (RPM)    | 0   | 600     | 1125 | 1182  | 1200 |
| Current (Amps) | 362 | 325     | 225  | 61.5  | 25.0 |
| Torque (ft-lb) | 445 | 425     | 625  | 222   | 0.00 |

Information Block

|                             |                         |        |        |        |
|-----------------------------|-------------------------|--------|--------|--------|
| HP                          | 50.0                    |        |        |        |
| Sync. RPM                   | 1200                    |        |        |        |
| Frame                       | 365                     |        |        |        |
| Enclosure                   | TEFC                    |        |        |        |
| Construction                | TFS                     |        |        |        |
| Voltage                     | 230/460#190/380 V       |        |        |        |
| Frequency                   | 60 Hz                   |        |        |        |
| Design                      | B                       |        |        |        |
| LR Code letter              | G                       |        |        |        |
| Service Factor              | 1.15                    |        |        |        |
| Temp Rise @ FL              | 70 °C                   |        |        |        |
| Duty                        | CONT                    |        |        |        |
| Ambient                     | 40 °C                   |        |        |        |
| Elevation                   | 1,000 feet              |        |        |        |
| Rotor/Shaft wk <sup>2</sup> | 17.2 Lb-Ft <sup>2</sup> |        |        |        |
| Ref Wdg                     | T367601 NONE            |        |        |        |
| Sound Pressure @ 1M         | 58 dBA                  |        |        |        |
| VFD Rating                  | NONE                    |        |        |        |
| Outline Dwg                 | B-SS518657-1450         |        |        |        |
| Conn. Diag                  | A-EE7308AA              |        |        |        |
| Additional Specifications:  |                         |        |        |        |
| 0                           |                         |        |        |        |
| 0                           |                         |        |        |        |
| EQUIV CKT (OHMS / PHASE)    |                         |        |        |        |
| R1                          | R2                      | X1     | X2     | Xm     |
| 0.0790                      | 0.0710                  | 0.4140 | 0.6750 | 9.9910 |



Speed - Torque Curve



## EC Declaration of Conformity

The undersigned representing  
the manufacturer:

Regal Beloit America  
100 East Randolph St.  
Wausau, WI 54401

and the authorized representative  
established within the Community:

Marathon Electric UK  
6F Thistleton Road Ind. Estate  
Market Overton  
Oakham, Rutland LE15 7PP UK

are committed to providing customers with products that comply with applicable regulations and international protocols to which they are subject, including the requirements of the European Parliament Directive on the Harmonization of the laws relating to electrical equipment designed for use within certain voltage limits (2014/35/EU).

Regal Beloit America declares that the following product(s), to which this declaration relates, are in conformity with the relevant sections of the EC standards listed below.

This statement supersedes any statements previously issued pertaining to the product(s) listed below and is subject to change without notice.

Model No : 365TTFS16088

(Model No. may contain prefix and/or suffix characters)

Catalog No : M910B

Rework No : N/A

Directives :

Low Voltage Directive 2014/35/EU

Harmonized Standards Used :

EN 60034-1: 2010 (IEC 60034-1: 2010)

EN 60034-5: 2001/A1:2007 (IEC 60034-5: 2000/A1:2006)

Authorized Representative:



Michael A. Logsdon  
Vice President, Technology

Authorized Representative in the Community:



Julian Clark  
Marketing Engineer

Created on 09/01/2022

**CE 22**