

PRODUCT INFORMATION PACKET

Model No: 365TTFCD9230

Catalog No: Y390A

Multispeed Motor, 60 & 15 HP, 3 Ph, 60 & 60 Hz, 460 & 460 V, 1800 & 1800 RPM, 365T Frame, TEFC



Regal and Marathon are trademarks of Regal Rexnord Corporation or one of its affiliated companies.

©2023 Regal Rexnord Corporation, All Rights Reserved. MC017097E

Nameplate Specifications

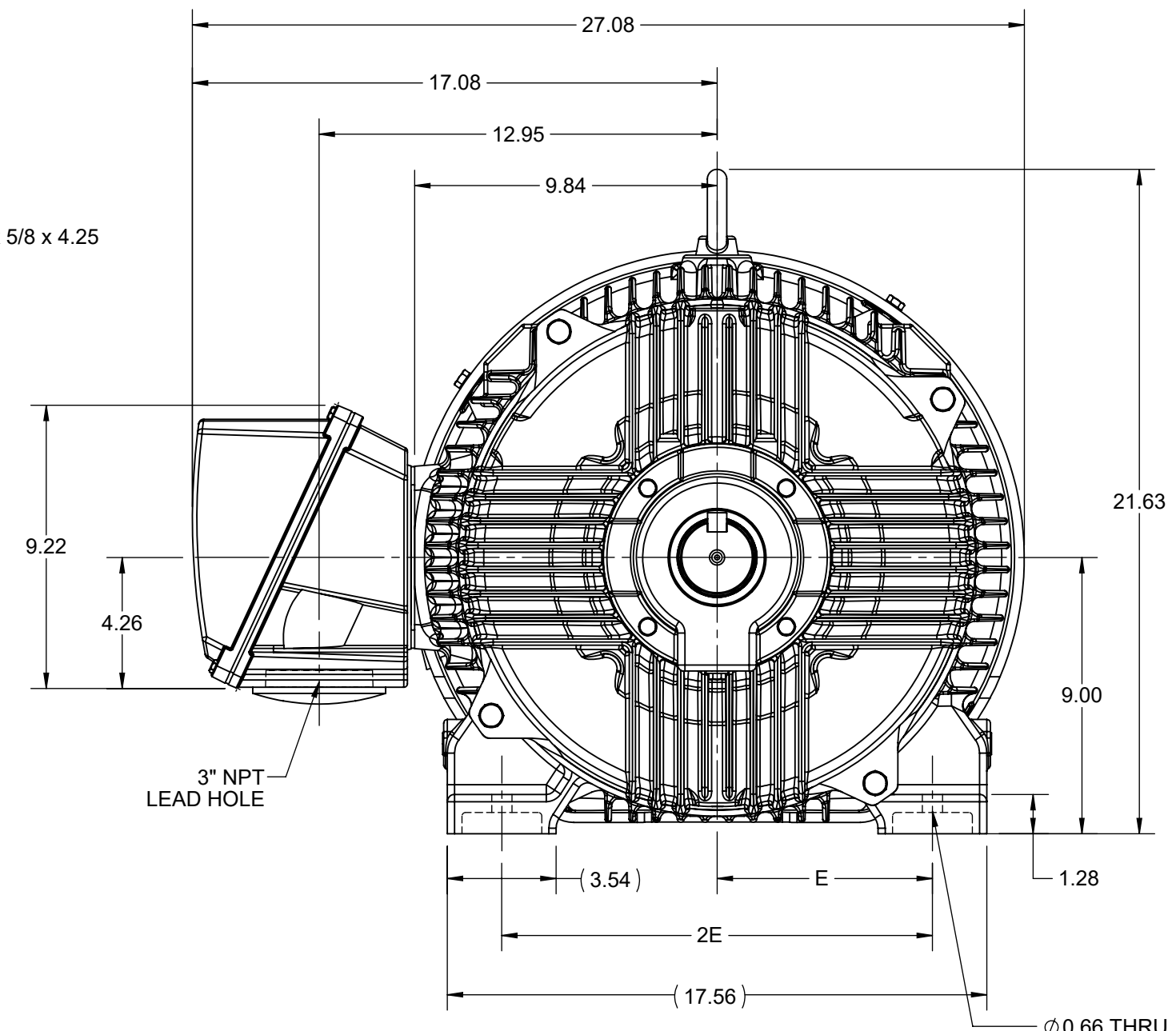
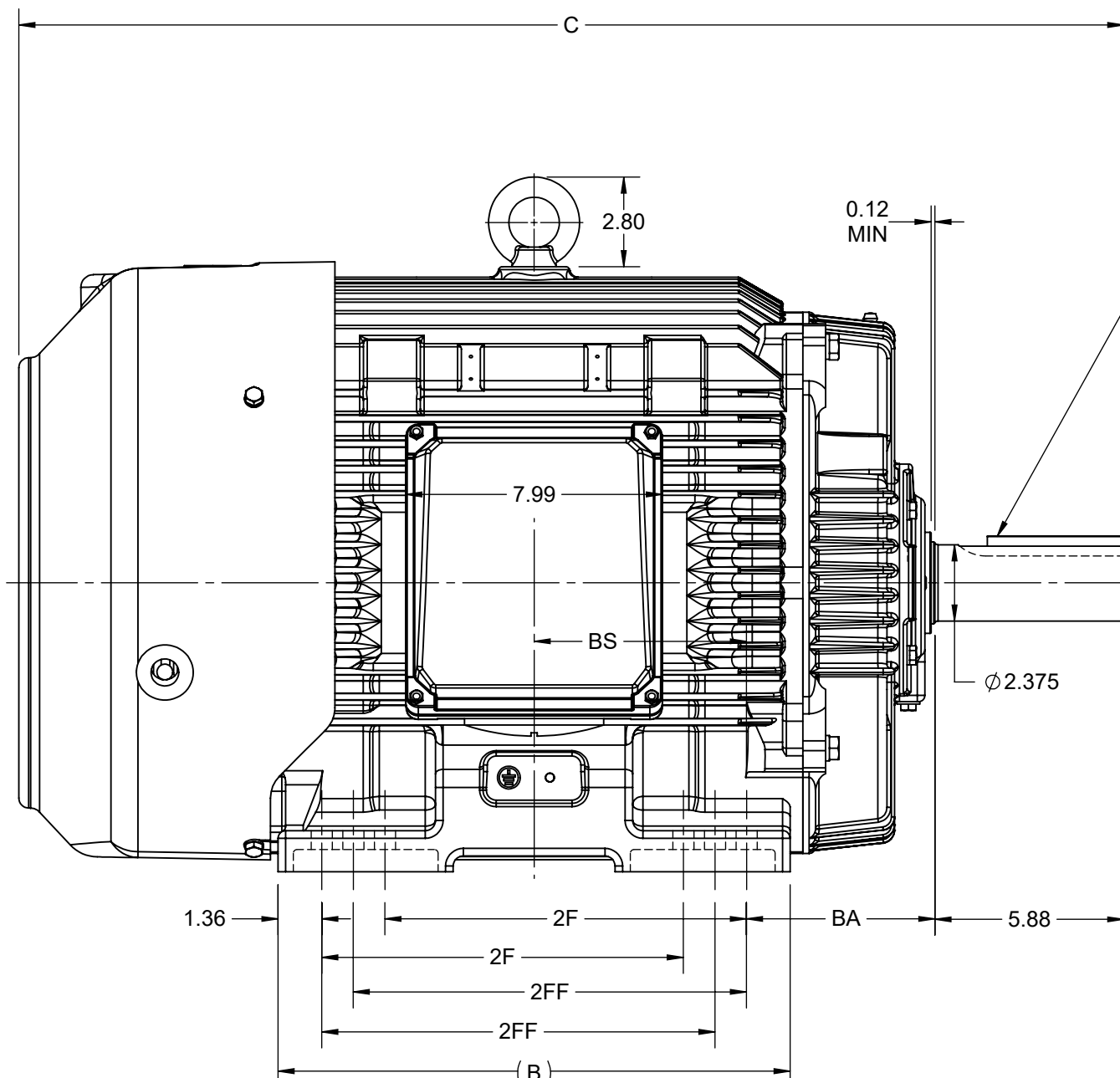
Phase	3	Output HP	60 & 15 Hp
Output KW	45.0 & 11.2 kW	Voltage	460 & 460 V
Speed	1785 & 890 rpm	Service Factor	1.15 & 1.15
Frame	365T	Enclosure	Totally Enclosed Fan Cooled
Thermal Protection	No Protection	Efficiency	93.6 & 91 %
Ambient Temperature	40 °C	Frequency	60 & 60 Hz
Current	71.5 & 24.8 A	Power Factor	83.2
Duty	Continuous	Insulation Class	H
Design Code	1VT	KVA Code	H
Drive End Bearing Size	6313	Opp Drive End Bearing Size	6213
UL	Recognized	CSA	Y
CE	Y	IP Code	55
Number of Speeds	2		

Technical Specifications

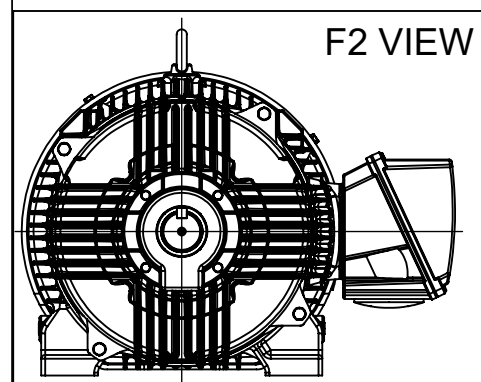
Electrical Type	Squirrel Cage Induction Run	Starting Method	Across The Line
Poles	4/8	Rotation	Reversible
Resistance Main	.1305 Ohms	Mounting	Rigid Base
Motor Orientation	Horizontal	Drive End Bearing	Ball
Opp Drive End Bearing	Ball	Frame Material	Cast Iron
Shaft Type	T	Shaft Diameter	2.375 in
Assembly/Box Mounting	F1/F2 CAPABLE		
Connection Drawing	EE7322	Outline Drawing	SS557662-200

This is an uncontrolled document once printed or downloaded and is subject to change without notice. Date Created:06/23/2023

DASH NO.	B	C	E	2E	2F	2FF	BA	BS	MOUNTING	FRAME
100	14.96	33.40	7.00	14.00	-	11.25	5.88	6.12	F1 OR F2	364T
200	15.94	34.40			11.25	12.25		6.62		364/365T



Ø 0.66 THRU
12 HOLES
(364 WILL HAVE ONLY 8 HOLES)



DRAWING REVISION C	REVISION BY S SAHOO	REV DATE/© DATE 17/11/2020
ECO ECO-0194715	APPROVED BY GNK	DATE 17/11/2020
ECO DESCRIPTION DRAWING UPDATED COPYRIGHT (PER REVISION DATE) REGAL BELOIT AMERICA, INC. ALL RIGHTS RESERVED. PROPRIETARY AND CONFIDENTIAL INFORMATION - THIS DOCUMENT IS THE PROPERTY OF REGAL BELOIT AMERICA, INC. ("OWNER") AND CONTAINS OWNER'S PROPRIETARY INFORMATION. ANY PERSON, CORPORATION OR OTHER FIRM RECEIVING IT IS DEEMED, BY RECEIVING IT, TO AGREE THAT IT, AND/OR ANY PART OF IT, SHALL NOT BE DISCLOSED TO ANY PERSON, CORPORATION OR OTHER ENTITY, DUPLICATED, AND/OR USED, EXCEPT AS EXPRESSLY APPROVED IN WRITING IN ADVANCE BY OWNER. THIS DOCUMENT SHALL BE RETURNED TO OWNER UPON REQUEST. IT MAY BE SUBJECT TO CERTAIN RESTRICTIONS UNDER APPLICABLE EXPORT CONTROL LAWS AND REGULATIONS.		

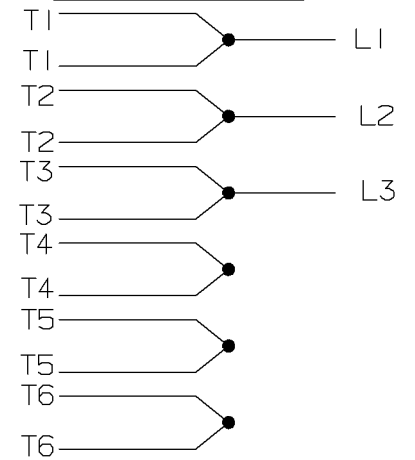
PRIMARY DIMENSIONS ARE INCH
mm DIMENSIONS IN [BRACKETS]
ARE FOR REFERENCE ONLY

DRAWN BY BISWA	REGAL ® Regal Beloit America, Inc.
DATE 01/10/2018	
APPROVED BY SBD	DESCRIPTION OUTLINE 364/365T FR-NEMA-SD & IEEE841
DATE 01/10/2018	MATERIAL
REFERENCE	PROCESS/FINISH
THIRD ANGLE PROJECTION	SIZE B
	DRAWING NUMBER SS557662
	SHEET 1 OF 1

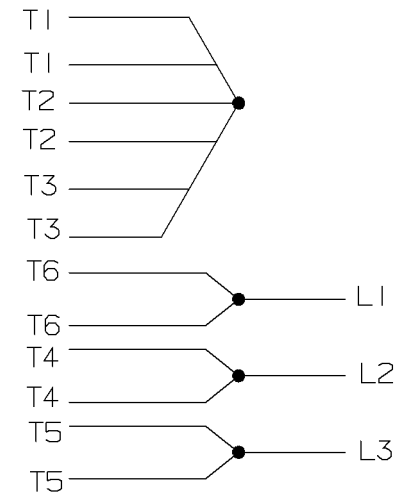
A- EE7322

FOR DUAL LEADS

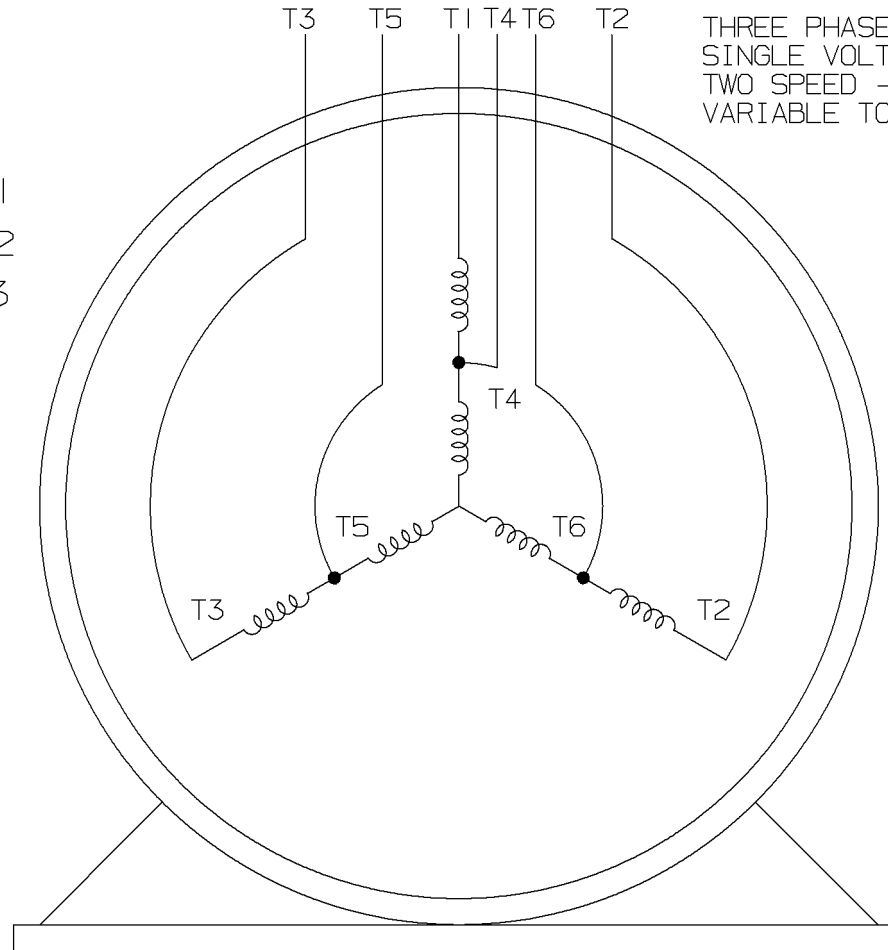
LOW SPEED



HIGH SPEED

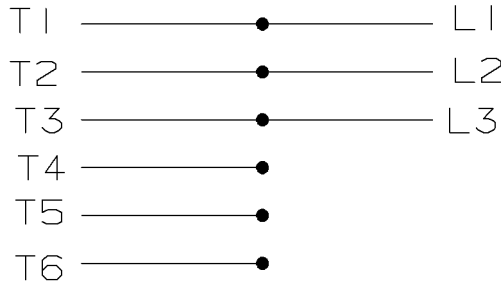


THREE PHASE MOTOR
SINGLE VOLTAGE
TWO SPEED - SGL. WDG.
VARIABLE TORQUE

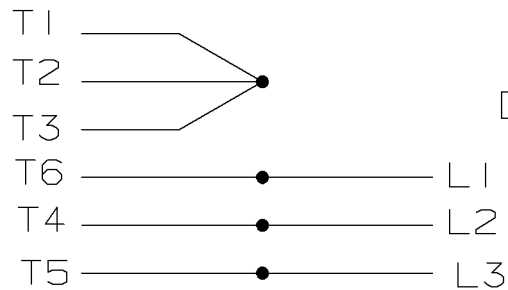


VIEW OF TERMINAL END

LOW SPEED



HIGH SPEED



T612C

T48B

				✓ MAX. SURFACE ROUGHNESS UNLESS NOTED OTHERWISE	UNLESS OTHERWISE SPECIFIED DIMENSIONS ARE IN INCHES TOL. ON XX± XXX±.005 XXXX±.0005 ANGLES±		
				MATL SPEC		DRAWN BY PGK	12-26-1996
				FINISH			CHKD BY ML 01-07-1997
7	01-08-1997	REDRAWN ON CADD	PGK	REFERENCE DRW.	WAUSAU, WISCONSIN 54401		APPD BY TB 01-07-1997
REV	DATE	CHANGE	NAME	PART NAME CONNECTION DIAGRAM 3Ø - SINGLE VOLTAGE - 2 SPEED	DRWG NO A- EE7322		

SHOP BOOK

PURCHASED

DISTRIBUTION - WA - LB - WP - LM - BR

CADD FILE NO.

EE7322

EC Declaration of Conformity

The undersigned representing
the manufacturer:

Regal Beloit America
100 East Randolph St.
Wausau, WI 54401

and the authorized representative
established within the Community:

Marathon Electric UK
6F Thistleton Road Ind. Estate
Market Overton
Oakham, Rutland LE15 7PP UK

are committed to providing customers with products that comply with applicable regulations and international protocols to which they are subject, including the requirements of the European Parliament Directive on the Harmonization of the laws relating to electrical equipment designed for use within certain voltage limits (2014/35/EU).

Regal Beloit America declares that the following product(s), to which this declaration relates, are in conformity with the relevant sections of the EC standards listed below.

This statement supersedes any statements previously issued pertaining to the product(s) listed below and is subject to change without notice.

Model No : 365TTFCD9230

(Model No. may contain prefix and/or suffix characters)

Catalog No : Y390A

Rework No : N/A

Directives :

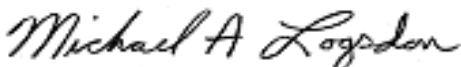
Low Voltage Directive 2014/35/EU

Harmonized Standards Used :

EN 60034-1: 2010 (IEC 60034-1: 2010)

EN 60034-5: 2001/A1:2007 (IEC 60034-5: 2000/A1:2006)

Authorized Representative:



Michael A. Logsdon
Vice President, Technology

Authorized Representative in the Community:



Julian Clark
Marketing Engineer

Created on 09/01/2022

CE 22