

PRODUCT INFORMATION PACKET

marathon®
Motors

Model No: 365TTFCA6036

Catalog No: GT1043

Globetrotter® General Purpose Motor, 75 & 60 HP, 3 Ph, 60 & 50 Hz, 230/460 & 190/380 V,
1800 & 1500 RPM, 365T Frame, TEFC



Regal and Marathon are trademarks of Regal Rexnord Corporation or one of its affiliated companies.

©2023 Regal Rexnord Corporation, All Rights Reserved. MC017097E

RegalRexnord

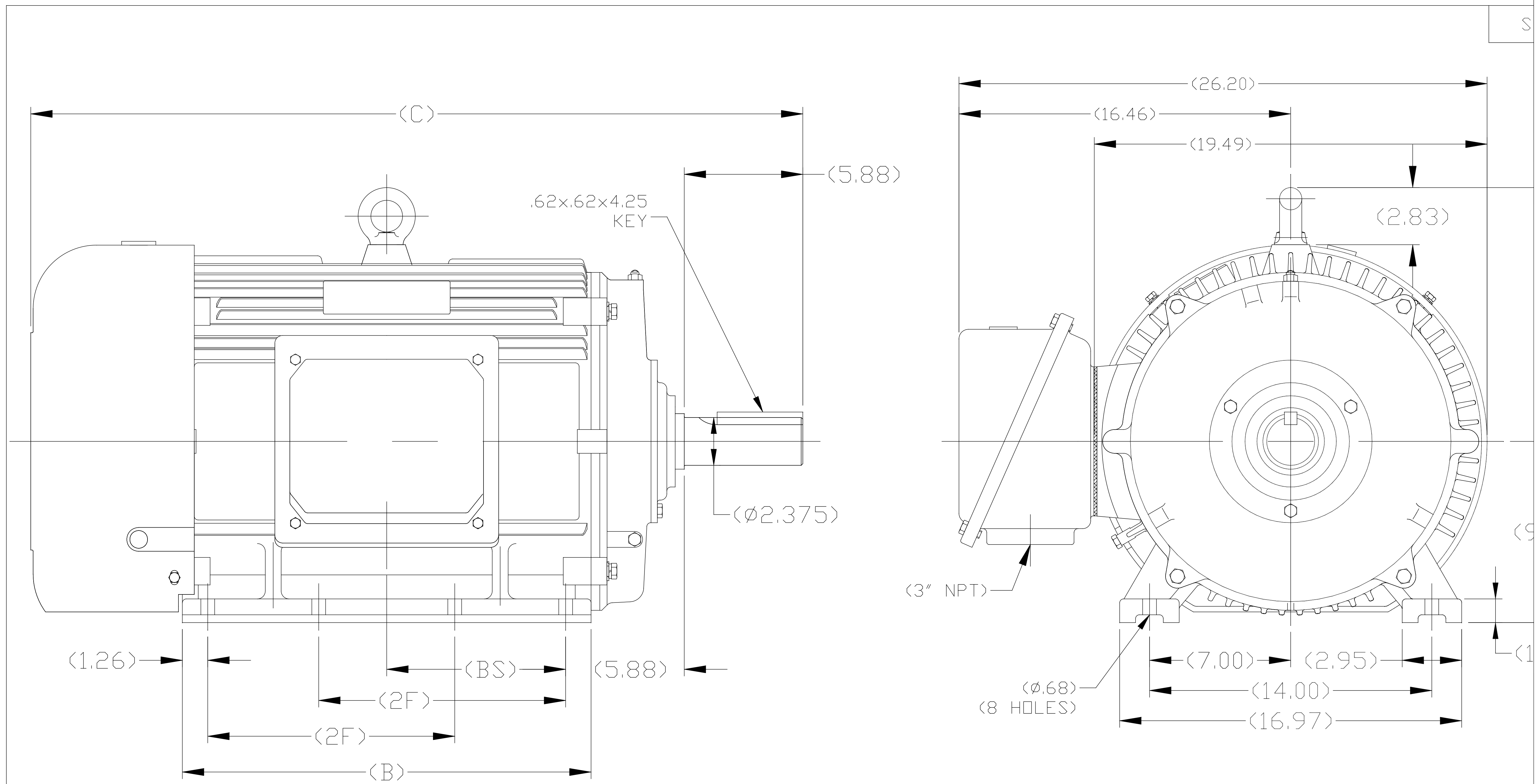
Nameplate Specifications

Phase	3	Output HP	75 & 60 Hp
Output KW	56.0 & 45.0 kW	Voltage	230/460 & 190/380 V
Speed	1782 & 1480 rpm	Service Factor	1.15 & 1.15
Frame	365T	Enclosure	Totally Enclosed Fan Cooled
Thermal Protection	No Protection	Efficiency	95.4 & 95 %
Ambient Temperature	40 °C	Frequency	60 & 50 Hz
Current	173/86.5 & 166/83 A	Power Factor	85
Duty	Continuous	Insulation Class	F
Design Code	B	KVA Code	G
Drive End Bearing Size	6314	Opp Drive End Bearing Size	6313
UL	Recognized	CSA	Y
CE	Y	IP Code	44
Number of Speeds	1		

Technical Specifications

Electrical Type	Squirrel Cage Induction Run	Starting Method	Wye Start Delta Run
Poles	4	Rotation	Reversible
Resistance Main	.091 Ohms	Mounting	Rigid Base
Motor Orientation	Horizontal	Drive End Bearing	Ball
Opp Drive End Bearing	Ball	Frame Material	Cast Iron
Shaft Type	T	Overall Length	38.39 in
Shaft Diameter	2.375 in	Shaft Extension	5.87 in
Assembly/Box Mounting	F1/F2 CAPABLE		
Connection Drawing	EE7308AA	Outline Drawing	SS620115-365T

S



(DIMENSIONS IN TABLE ARE CONSIDERED REFERENCE)

364T	36.61	18.50	11.25	7.99
365T	38.39	20.28	12.25	8.88
FRAME	C	B	2F	BS

(MAY NOT BE DRAWN TO SCALE)

		TOLERANCES UNLESS SPECIFIED		REGAL - BELOIT CORPORATION		DRA
		DEC.	INCHES			CHK
		X	±.1	TITLE 364/365T FR. - TEFC - CAST IRON		APP
		XX	±.03			SCA
K	CORRECTED DESCRIPTION ECD-0112150	WGJ 10/31/16	EH	XXX	±.005	REF
1	ADDED 'BS' DIM. PER. ECD-0048910	RFH04/07/2014	EH	XXXX	±.0005	FMP
NO.	REVISION	BY & DATE	CHK	ANG	±1/2	PRE
THIS DRAWING IN DESIGN AND DETAIL IS OUR PROPERTY AND MUST NOT BE USED EXCEPT IN CONNECTION WITH OUR WORK ALL RIGHTS OF DESIGN AND INVENTION ARE RESERVED THIS IS AN ELECTRONICALLY GENERATED DOCUMENT - DO NOT SCALE THIS PRINT			RFP	CAD FILE	SS620115	SIZE
			DIST			DRAWING NO.
						B
						SS62



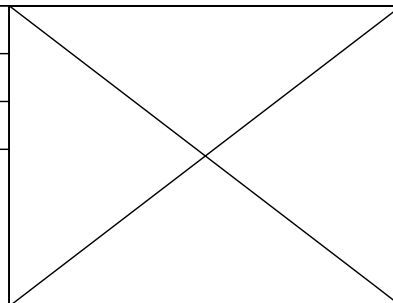
LOW VOLTAGE



HIGH VOLTAGE



DRAWING REVISION K	REVISION BY AJW	DATE 07-17-2015
ECO ECO-0081632	APPROVED BY T. VUE	DATE 07-17-2015
ECO DESCRIPTION REV'D IEC MARKINGS PER IEC 60034-8		
<small>COPYRIGHT REGAL BELOIT AMERICA, INC. ALL RIGHTS RESERVED. PROPRIETARY AND CONFIDENTIAL INFORMATION - THIS DOCUMENT IS THE PROPERTY OF REGAL BELOIT AMERICA, INC. ("OWNER") AND CONTAINS OWNER'S PROPRIETARY INFORMATION. ANY PERSON, CORPORATION OR OTHER FIRM RECEIVING IT IS DEEMED, BY RECEIVING IT, TO AGREE THAT IT, AND/OR ANY PART OF IT, SHALL NOT BE DISCLOSED TO ANY PERSON, CORPORATION OR OTHER ENTITY, DUPLICATED, AND/OR USED, EXCEPT AS EXPRESSLY APPROVED IN WRITING IN ADVANCE BY OWNER. THIS DOCUMENT SHALL BE RETURNED TO OWNER UPON REQUEST. IT MAY BE SUBJECT TO CERTAIN RESTRICTIONS UNDER APPLICABLE EXPORT CONTROL LAWS AND REGULATIONS.</small>		



DRAWN BY LZ	Regal Beloit America, Inc.	
DATE 01-12-1994		
APPROVED BY GK	DESCRIPTION CONN DIAGRAM-EXTERNAL 3Ø-2/1 DELTA-12 LEADS	
DATE 01-14-1994		
REFERENCE	MATERIAL	PROCESS/FINISH
THIRD ANGLE PROJECTION	SIZE A	DRAWING NUMBER EE7308AA
		SHEET 1 OF 1

CERTIFICATION DATA SHEET

Model#: 365TTFCA6036 AB **WINDING#:** CHT36540003 NONE 1
CONN. DIAGRAM: EE7308AA **ASSEMBLY:** F1/F2 CAPABLE
OUTLINE: SS620115

TYPICAL MOTOR PERFORMANCE DATA

HP	KW	SYNC. RPM	F.L. RPM	FRAME	ENCLOSURE	KVA CODE	DESIGN
75&60	56&45	1800	1782&1480	365T	TEFC	G	B

PH	Hz	VOLTS	FL AMPS	START TYPE	DUTY	INSL	S.F	AMB°C	ELEVATION
3	60/50	230/460#190/ 380	173/86.5&166/ 83	WYE START DELTA RUN	CONTINUOU S	F7	1.15/1.15	40	3300

FULL LOAD EFF: 95.4&95	3/4 LOAD EFF: 95.4	1/2 LOAD EFF: 95	GTD. EFF	ELEC. TYPE	NO LOAD AMPS
FULL LOAD PF: 85&85	3/4 LOAD PF: 84	1/2 LOAD PF: 78	95	SQ CAGE IND RUN	49 / 24.5

F.L. TORQUE	LOCKED ROTOR AMPS	L.R. TORQUE	B.D. TORQUE	F.L. RISE°C
221 LB-FT	1060 / 530	460 LB-FT 208	550 LB-FT 248	75

SOUND PRESSURE @ 3 FT.	SOUND POWER	ROTOR WK^2	MAX. WK^2	SAFE STALL TIME	STARTS /HOUR	APPROX. MOTOR WGT
75 dBA	85 dBA	20.5 LB-FT^2	- LB-FT^2	20 SEC.	2	1100 LBS.

***** SUPPLEMENTAL INFORMATION *****

DE BRACKET TYPE	ODE BRACKET TYPE	MOUNT TYPE	ORIENTATION	SEVERE DUTY	HAZARDOUS LOCATION	DRIP COVER	SCREENS	PAINT
STANDARD	STANDARD	RIGID	HORIZONTAL	FALSE	NONE	FALSE	NONE	BLUE (ENAMEL)

BEARINGS		GREASE	SHAFT TYPE	SPECIAL DE	SPECIAL ODE	SHAFT MATERIAL	FRAME MATERIAL
DE	OPE						
BALL	BALL	POLYREX EM	T	NONE	NONE	1045 HOT ROLLED (C-204)	CAST IRON
6314	6313						

THERMO-PROTECTORS				THERMISTORS	CONTROL	SPACE /n HEATERS
THERMOSTATS	PROTECTORS	WDG RTDs	BRG RTDs			
NONE	NOT	NONE	NONE	NONE	FALSE	NONE VOLTS

If Inverter equals NONE, contact factory for further information

*
N
O
T
E
S
*

INVERTER TORQUE: NONE
INV. HP SPEED RANGE: NONE
ENCODER: NONE
NONE NONE
NONE NONE PPR
BRAKE: NONE NONE
NONE P/N NONE
NONE NONE
NONE FT-LB NONE V NONE Hz

DATE: 06/22/2017 12:41:48 AM
 FORM 3531 REV.3 02/07/99
 ** Subject to change without notice.

Data Sheet

Date: 6/20/2017

Customer: _____

Attention: _____

Submitted by: FAREEDA DUDEKULA



365TTFCA6036

Submittal

Data @ 460 V

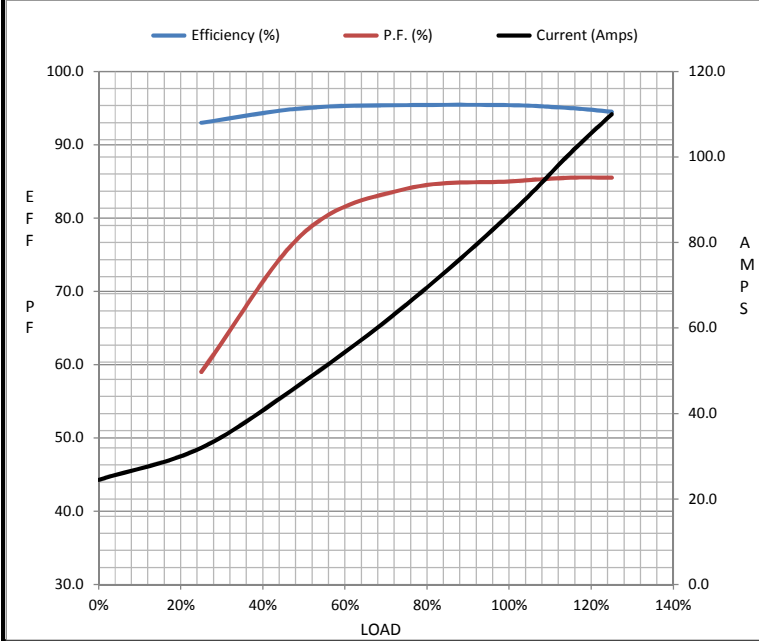
Motor Load Data

Load	0%	25%	50%	75%	100%	115%	125%	LR
Current (Amps)	24.5	32.0	47.5	65.5	86.5	101	110	530
Torque (ft-lb)	0.00	55.0	110	166	221	254	280	460
RPM	1800	1795	1792	1788	1782	1,780	1775	0
Efficiency (%)		93.0	95.0	95.4	95.4	95.0	94.5	
P.F. (%)	4.5	59.0	78.0	84.0	85.0	85.5	85.5	30.0

Motor Speed Data

	LR	Pull-Up	BD	Rated	Idle
Speed (RPM)	0	900	1730	1782	1800
Current (Amps)	530	475	275	86.5	24.5
Torque (ft-lb)	460	400	550	221	0.00

Information Block				
HP	75.0			
Sync. RPM	1800			
Frame	365			
Enclosure	TEFC			
Construction	TFC			
Voltage	30/460#190/381V			
Frequency	60 Hz			
Design	B			
LR Code letter	G			
Service Factor	1.15			
Temp Rise @ FL	75 °C			
Duty	CONT			
Ambient	40 °C			
Elevation	1,000 feet			
Rotor/Shaft wk ²	20.5 Lb-Ft ²			
Ref Wdg	CHT36540003 NONE			
Sound Pressure @ 1M	75 dBA			
VFD Rating	NONE			
Outline Dwg	SS620115			
Conn. Diag	EE7308AA			
Additional Specifications:				
0				
0				
EQUIV CKT (OHMS / PHASE)				
R1	R2	X1	X2	Xm
0.0660	0.0450	0.0420	0.6260	15.9820



Speed -Torque Curve

