

PRODUCT INFORMATION PACKET

marathon[®]
Motors

Model No: 365TSTGS4026

Catalog No: U081

Explosion Proof Motor, 75 & 60 HP, 3 Ph, 60 & 50 Hz, 230/460 & 190/380 V, 1800 & 1500 RPM,
365TS Frame, EPFC

Regal and Marathon are trademarks of Regal Rexnord Corporation or one of its affiliated companies.

©2023 Regal Rexnord Corporation, All Rights Reserved. MC017097E

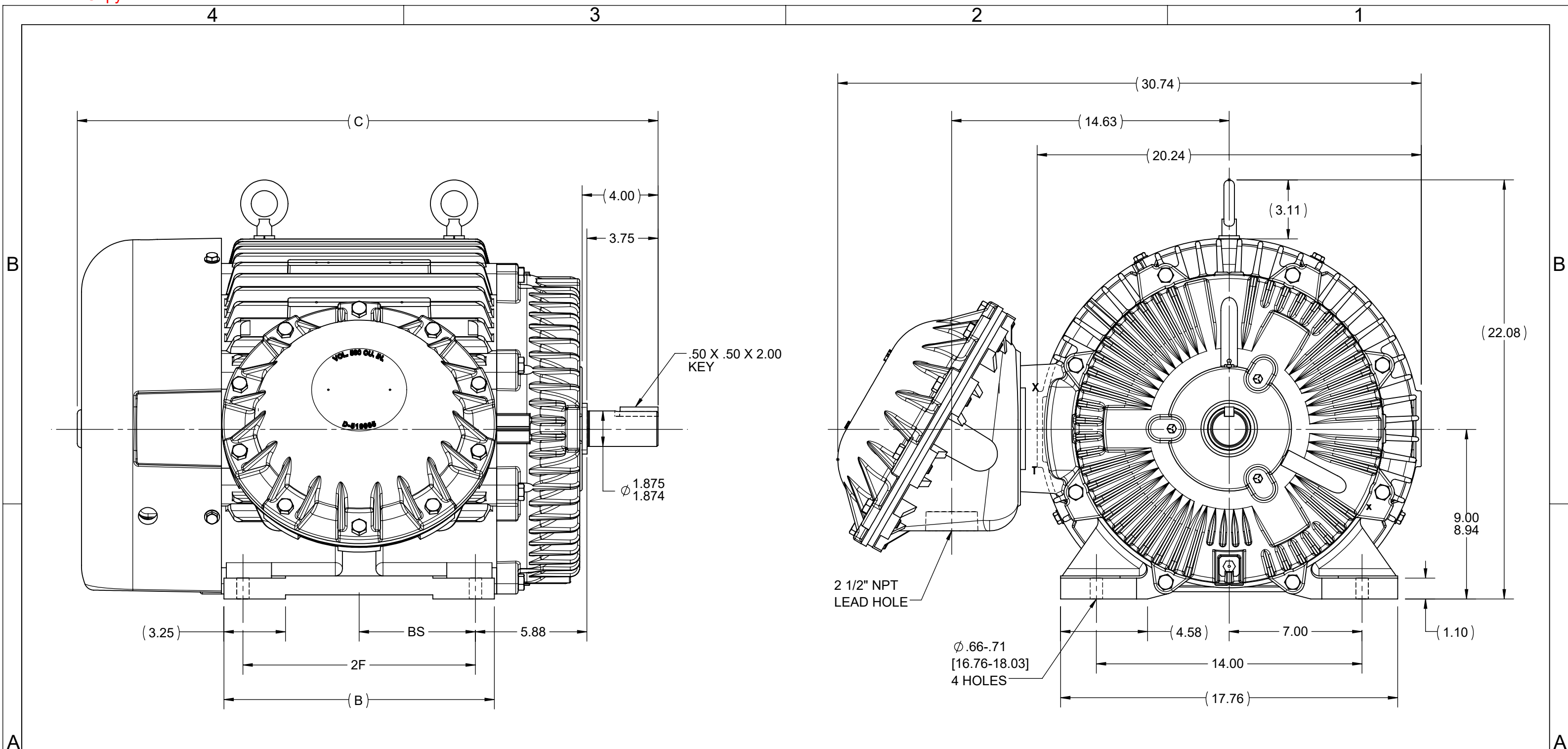
The logo for Regal Rexnord, featuring a stylized 'R' icon followed by the text 'RegalRexnord'.

Nameplate Specifications

Phase	3	Output HP	75 & 60 Hp
Output KW	56.0 & 45.0 kW	Voltage	230/460 & 190/380 V
Speed	1780 & 1480 rpm	Service Factor	1.15 & 1.15
Frame	365TS	Enclosure	Explosion Proof Fan cooled
Thermal Protection	Thermostat	Efficiency	94.1 & 94.1 %
Ambient Temperature	40 °C	Frequency	60 & 50 Hz
Current	178/89 & 172/86 A	Power Factor	84
Duty	Continuous	Insulation Class	F
Design Code	B	KVA Code	G
Drive End Bearing Size	6312	Opp Drive End Bearing Size	6312
UL	No	CSA	Y
CE	N	IP Code	54
Number of Speeds	1	Hazardous Location	EXP PROOF CL I GR C&D CL II GR F&G T3B

Technical Specifications

Electrical Type	Squirrel Cage Inverter Rated	Starting Method	Line Or Inverter
Poles	4	Rotation	Reversible
Resistance Main	.073 Ohms	Mounting	Rigid Base
Motor Orientation	Horizontal	Drive End Bearing	Ball
Opp Drive End Bearing	Ball	Frame Material	Cast Iron
Shaft Type	TS	Overall Length	30.38 in
Frame Length	14.50 in	Shaft Diameter	1.875 in
Shaft Extension	4 in	Assembly/Box Mounting	F1 ONLY
Inverter Load	CONSTANT 2:1		
Outline Drawing	B-SS518623-1450	Connection Drawing	A-EE7308AD



- NOTES:
 1. CONDUIT BOX CAN BE ROTATED IN 90° STEPS.
 2. CONDUIT BOX CAN BE MOUNTED ON OPPOSITE SIDE BY REMOVING BRACKETS AND TURNING FRAME 180°.
 3. NAMEPLATES TO BE READ FROM CONDUIT BOX SIDE OF MOTOR.

(REPLACES B-SS503646)

DASH	FRAME	B	C	2F	BS
1350	364TS	13.25	29.60	11.25	5.62
1450	365TS	14.25	30.60	12.25	6.12

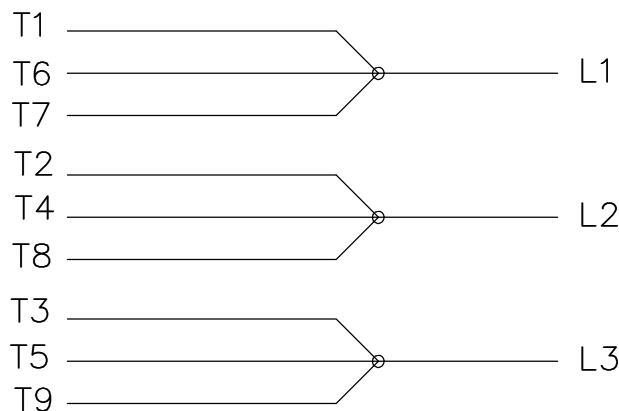
DRAWING REVISION F	REVISION BY SP	REV DATE/© DATE 07/19/2022
REQUEST NUMBER NMR-0215941	APPROVED BY SP	DATE 07/19/2022
REQUEST NUMBER DESCRIPTION UPDATED AS PER NEW STANDARD		
<small>COPYRIGHT (PER REVISION DATE) REGAL BELOIT AMERICA, INC. ALL RIGHTS RESERVED. PROPRIETARY AND CONFIDENTIAL INFORMATION - THIS DOCUMENT IS THE PROPERTY OF REGAL BELOIT AMERICA, INC. ("OWNER") AND CONTAINS OWNER'S PROPRIETARY INFORMATION. ANY PERSON, CORPORATION OR OTHER FIRM RECEIVING IT IS DEEMED, BY RECEIVING IT, TO AGREE THAT IT, AND/OR ANY PART OF IT, SHALL NOT BE DISCLOSED TO ANY PERSON, CORPORATION OR OTHER ENTITY, DUPLICATED, AND/OR USED, EXCEPT AS EXPRESSLY APPROVED IN WRITING IN ADVANCE BY OWNER. THIS DOCUMENT SHALL BE RETURNED TO OWNER UPON REQUEST. IT MAY BE SUBJECT TO CERTAIN RESTRICTIONS UNDER APPLICABLE EXPORT CONTROL LAWS AND REGULATIONS.</small>		

TOLERANCES (EXCEPT AS NOTED):
 DEC. INCH mm ANGLE
 .X ±0.1 [±3] ±7' 30"
 .XX ±0.03 [±0.8]
 .XXX ±0.005 [±0.13]
 .XXXX ±0.0005 [±0.013]
 REMOVE BURRS & BREAK SHARP EDGES: .003/.015 [.08/.38] X 45°
 CORNER FILLETS: R.02 [.5]
 MACHINED SURFACES: 200 INCH/mm 5.1
 mm DIMENSIONS IN [BRACKETS] ARE FOR REFERENCE ONLY

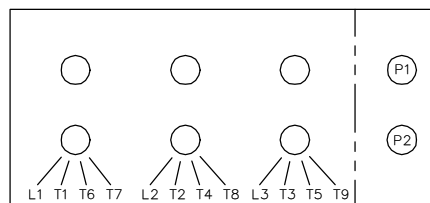
DRAWN BY KL
DATE 07-23-2001
APPROVED BY JES
DATE 07-23-2001
REFERENCE
THIRD ANGLE PROJECTION

Regal Beloit America, Inc.		DESCRIPTION	
		OUTLINE 360TS FR. - EXP. PROOF	
SIZE B	DRAWING NUMBER SS518623	PROCESS/FINISH	
		SHEET 1 OF 1	

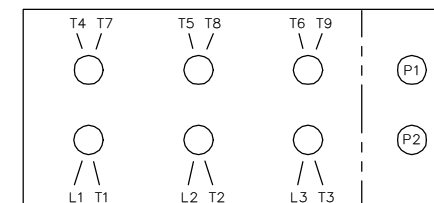
LOW VOLTAGE



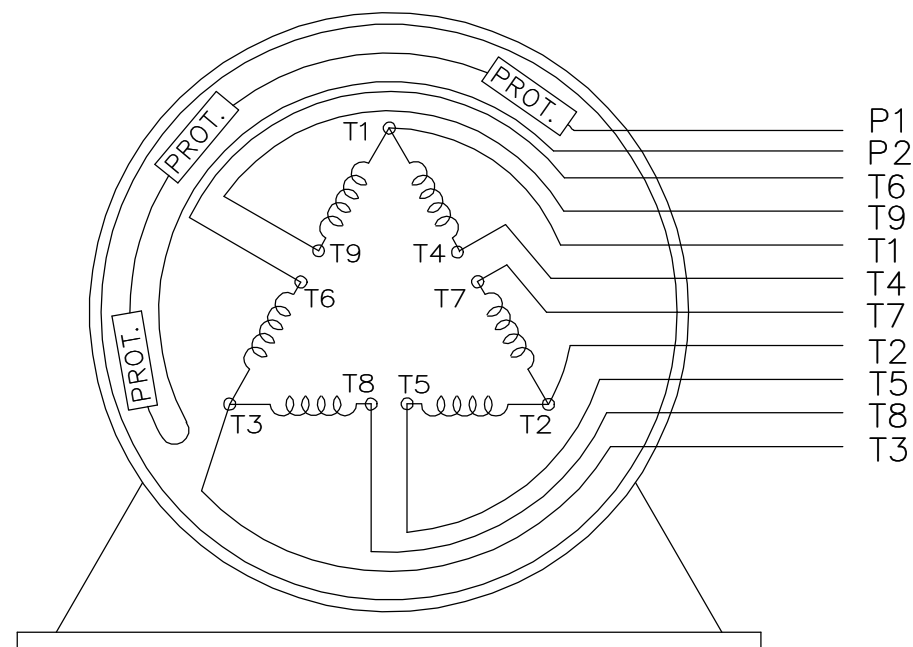
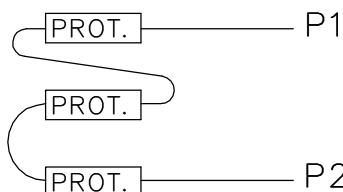
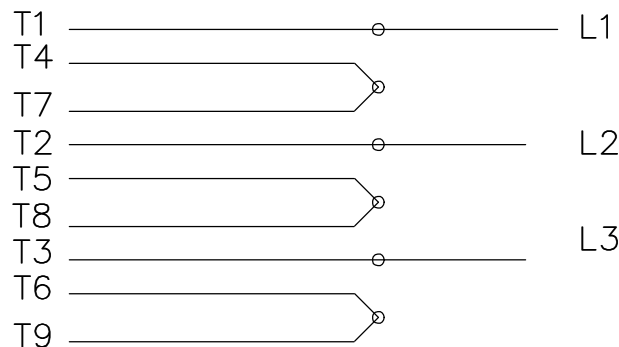
LOW VOLTAGE



HIGH VOLTAGE



HIGH VOLTAGE



VIEW OF TERMINAL END

WHEN MORE THAN ONE PROT. IS USED; PROT. ARE CONNECTED IN SERIES

DRAWING REVISION L	REVISION BY JP	REV DATE/© DATE 06-21-2019	TOLERANCES (EXCEPT AS NOTED): DEC. INCH mm ANGLE .X ±0.1 [±3] ±7' 30" .XX ±0.02 [±0.5] .XXX ±0.005 [±0.13] .XXXX ±0.0005 [±0.013]	DRAWN BY MJD	Regal Beloit America, Inc.
ECO ECO-0168744	APPROVED BY MH	DATE 06-21-2019		DATE 12-19-1997	
ECO DESCRIPTION UPDATED TO CURRENT STANDARDS			REMOVE BURRS & BREAK SHARP EDGES: .003/.015 [.08/.38] X 45° CORNER FILLETS: R.02 [.5] MACHINED SURFACES: 200/ mm 5.1 INCH mm	APPROVED BY GK	DESCRIPTION CONN DIAGRAM-EXTERNAL
COPYRIGHT (PER REVISION DATE) REGAL BELOIT AMERICA, INC. ALL RIGHTS RESERVED. PROPRIETARY AND CONFIDENTIAL INFORMATION - THIS DOCUMENT IS THE PROPERTY OF REGAL BELOIT AMERICA, INC. ("OWNER") AND CONTAINS OWNER'S PROPRIETARY INFORMATION. ANY PERSON, CORPORATION OR OTHER FIRM RECEIVING IT IS DEEMED, BY RECEIVING IT, TO AGREE THAT IT, AND/OR ANY PART OF IT, SHALL NOT BE DISCLOSED TO ANY PERSON, CORPORATION OR OTHER ENTITY, DUPLICATED, AND/OR USED, EXCEPT AS EXPRESSLY APPROVED IN WRITING IN ADVANCE BY OWNER. THIS DOCUMENT SHALL BE RETURNED TO OWNER UPON REQUEST. IT MAY BE SUBJECT TO CERTAIN RESTRICTIONS UNDER APPLICABLE EXPORT CONTROL LAWS AND REGULATIONS.			THIRD ANGLE PROJECTION	MATERIAL	PROCESS/FINISH
			SIZE A	DRAWING NUMBER EE7308AD	SHEET 1 OF 1