

PRODUCT INFORMATION PACKET

Model No: 365TSTFCD6003

Catalog No: GT1242A

Globetrotter® General Purpose Motor, 75 & 60 HP, 3 Ph, 60 & 50 Hz, 230/460 & 190/380 V,
3600 & 3000 RPM, 365TSC Frame, TEFC



Regal and Marathon are trademarks of Regal Rexnord Corporation or one of its affiliated companies.
©2024 Regal Rexnord Corporation, All Rights Reserved. MC017097E

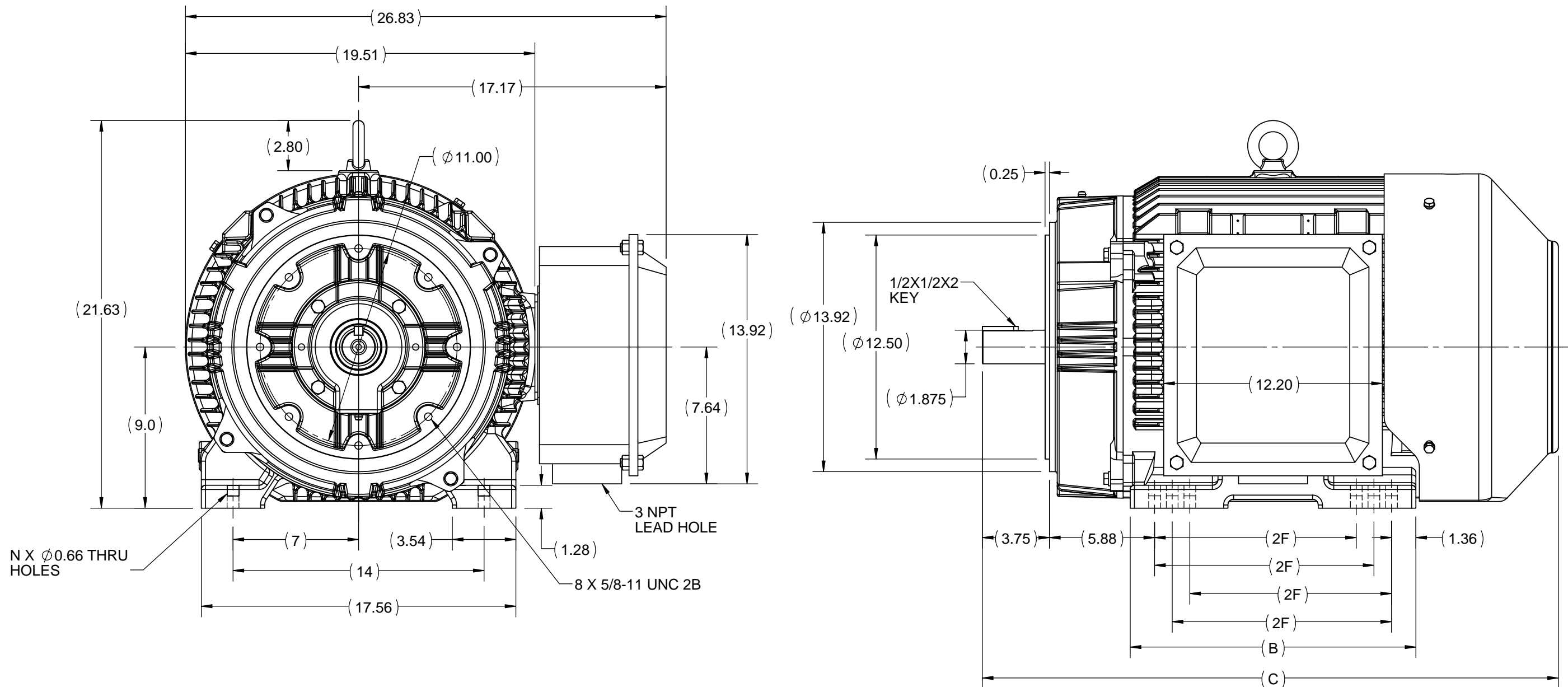
Nameplate Specifications

Phase	3	Output HP	75 & 60 Hp
Output KW	56.0 & 45.0 kW	Voltage	230/460 & 190/380 V
Speed	3570 & 2970 rpm	Service Factor	1.15 & 1.15
Frame	365TSC	Enclosure	Totally Enclosed Fan Cooled
Thermal Protection	No Protection	Efficiency	94.5 & 94 %
Ambient Temperature	40 °C	Frequency	60 & 50 Hz
Current	168/84 & 163/81.5 A	Power Factor	89
Duty	Continuous	Insulation Class	F
Design Code	B	KVA Code	G
Drive End Bearing Size	6313	Opp Drive End Bearing Size	6213
UL	Listed	CSA	Y
CE	Y	IP Code	55
Number of Speeds	1	Hazardous Location	DIVISION 2 T2B

Technical Specifications

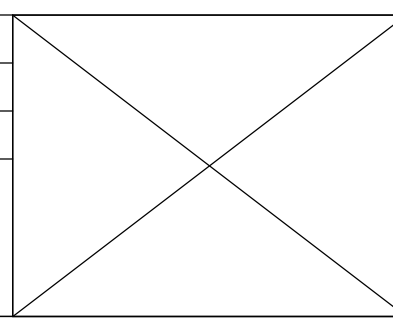
Electrical Type	Squirrel Cage Inverter Rated	Starting Method	Part Wdg Start Low Volt Only & Wye Start Delta Run Or Inverter
Poles	2	Rotation	Reversible
Resistance Main	.077 Ohms	Mounting	Rigid Base
Motor Orientation	Horizontal	Drive End Bearing	Ball
Opp Drive End Bearing	Ball	Frame Material	Cast Iron
Shaft Type	TS	Overall Length	32.17 in
Frame Length	16.73 in	Shaft Diameter	1.875 in
Shaft Extension	3.75 in	Assembly/Box Mounting	F1/F2 CAPABLE
Inverter Load	CONSTANT 2:1/VARIABLE 10:1		
Connection Drawing	EE7308AA	Outline Drawing	SS557000-200

OUTLINE



365TSC	15.94	32.17	12.25	12
364TSC	14.96	31.19	11.25	8
FRAME	B	C	2F	N

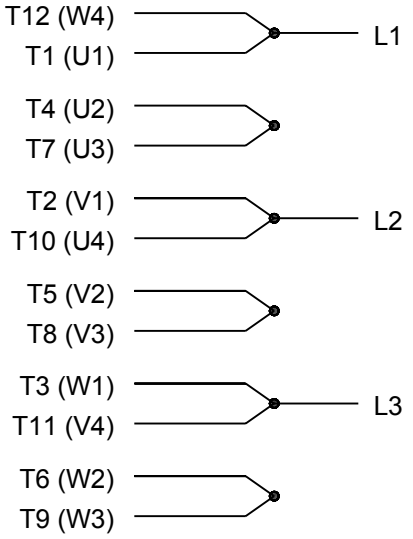
DRAWING REVISION A	REVISION BY	DATE
ECO ECO-0116959	APPROVED BY	DATE
ECO DESCRIPTION NEW OUTLINE RELEASE COPYRIGHT REGAL BELOIT AMERICA, INC. ALL RIGHTS RESERVED. PROPRIETARY AND CONFIDENTIAL INFORMATION - THIS DOCUMENT IS THE PROPERTY OF REGAL BELOIT AMERICA, INC. ("OWNER") AND CONTAINS OWNER'S PROPRIETARY INFORMATION. ANY PERSON, CORPORATION OR OTHER FIRM RECEIVING IT IS DEEMED, BY RECEIVING IT, TO AGREE THAT IT, AND/OR ANY PART OF IT, SHALL NOT BE DISCLOSED TO ANY PERSON, CORPORATION OR OTHER ENTITY, DUPLICATED, AND/OR USED, EXCEPT AS EXPRESSLY APPROVED IN WRITING IN ADVANCE BY OWNER. THIS DOCUMENT SHALL BE RETURNED TO OWNER UPON REQUEST. IT MAY BE SUBJECT TO CERTAIN RESTRICTIONS UNDER APPLICABLE EXPORT CONTROL LAWS AND REGULATIONS.		



DRAWN BY SN	Regal Beloit America, Inc.		
DATE 10/01/2017			
APPROVED BY SBD	DESCRIPTION OUTLINE 360TSC FR-TEFC		
DATE 10/01/2017	MATERIAL		
REFERENCE	PROCESS/FINISH		
THIRD ANGLE PROJECTION	SIZE B	DRAWING NUMBER SS557000F	SHEET 1 OF 1



LOW VOLTAGE

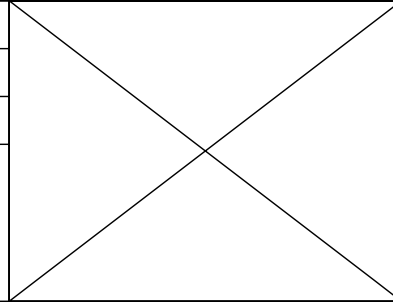


HIGH VOLTAGE



VIEW OF TERMINAL END

DRAWING REVISION K	REVISION BY AJW	DATE 07-17-2015
ECO ECO-0081632	APPROVED BY T. VUE	DATE 07-17-2015
ECO DESCRIPTION REV'D IEC MARKINGS PER IEC 60034-8		
COPYRIGHT REGAL BELOIT AMERICA, INC. ALL RIGHTS RESERVED. PROPRIETARY AND CONFIDENTIAL INFORMATION - THIS DOCUMENT IS THE PROPERTY OF REGAL BELOIT AMERICA, INC. ("OWNER") AND CONTAINS OWNER'S PROPRIETARY INFORMATION. ANY PERSON, CORPORATION OR OTHER FIRM RECEIVING IT IS DEEMED, BY RECEIVING IT, TO AGREE THAT IT, AND/OR ANY PART OF IT, SHALL NOT BE DISCLOSED TO ANY PERSON, CORPORATION OR OTHER ENTITY, DUPLICATED, AND/OR USED, EXCEPT AS EXPRESSLY APPROVED IN WRITING IN ADVANCE BY OWNER. THIS DOCUMENT SHALL BE RETURNED TO OWNER UPON REQUEST. IT MAY BE SUBJECT TO CERTAIN RESTRICTIONS UNDER APPLICABLE EXPORT CONTROL LAWS AND REGULATIONS.		



DRAWN BY LZ	DATE 01-12-1994
APPROVED BY GK	DATE 01-14-1994
REFERENCE	
THIRD ANGLE PROJECTION	

Regal Beloit America, Inc.		
DESCRIPTION CONN DIAGRAM-EXTERNAL 3Ø-2/1 DELTA-12 LEADS		
MATERIAL	PROCESS/FINISH	
SIZE A	DRAWING NUMBER EE7308AA	SHEET 1 OF 1



P.O. BOX 8003
WAUSAU, WI 54401-8003
PH. 715-675-3311

DATA VOLTS: 460

CERTIFICATION DATA SHEET

CUSTOMER: _____ CUSTOMER P.O. #: _____
 ORDER #: _____ REFERENCE MODEL #: 365TSTFCD6003
 CONN. DIAGRAM: EE7308AA CAT #: GT1242A
 OUTLINE: SS557000 CUSTOMER PART #: _____
 WINDING: HE32252005 NONE 2 MOUNTING: F1/F2 CAPABLE
 SPEED: _____

TYPICAL MOTOR PERFORMANCE DATA

HP	KW	SYNC RPM	FL RPM	FRAME	ENCLOSURE	TYPE	KVA CODE	DESIGN
75	56	3600	3570	365TSC	TEFC	TFC	G	B

PH	HZ	VOLTS	AMPS	START TYPE	DUTY	INSL	S.F.	AMB	ELEV.
3	60/50	230/460#190/380	168/84&163/81.5	START D RUN OR INV	CONT	F	1.15	40	3300

F.L. EFF	94.1	3/4 LD EFF	94.1	1/2 LD EFF	93.0	GTD EFF	ELECT. TYPE
F.L. PF	89.0	3/4 LD PF	86.5	1/2 LD PF	80.0	93.0	SQ CAGE INV RATED

F.L. TORQUE	LR AMPS @ 460 V	L.R. TORQUE	B.D. TORQUE	F.L. RISE (°C)
110 LB-FT	542	204 LB-FT 185%	308 LB-FT 280%	70

@ 3 FT.	POWER	ROTOR WK ²	MAX. LOAD WK ²	SAFE STALL TIME	STARTS/HOUR	MOTOR WGT
75 dBA	84 dBA	9.5 LB-FT ²	50 LB-FT ²	15 SEC.	2	1050 LB.

***** SUPPLEMENTAL INFORMATION *****

DE BRACKET TYPE	ODE BRACKET TYPE	MOUNT TYPE	MOTOR ORIENTATION	SEVERE DUTY	HAZARDOUS LOCATION	DRIP COVER	SCREENS	PAINT
C-FACE	STANDARD	RIGID	HORIZONTAL	NO	DIVISION 2 T2B	NO	NONE	BLUE - MARATHON

BEARINGS		GREASE	SHAFT TYPE	SPECIAL DE	SPECIAL ODE	SHAFT MATERIAL	FRAME MATERIAL
DE	ODE	POLYREX EM	TS	NONE	NONE	1045 HOT ROLLED (C-204)	CAST IRON
BALL	BALL						
6313	6213						

THERMOSTATS	PROTECTORS	WDG RTD's	BRG RTD's	THERMISTORS	CONTROL	SPACE HEATERS
NONE	NOT	NONE	NONE	NONE	FALSE	NA

R1 (ohms/ph)	R2 (ohms/ph)	X1 (ohms/ph)	X2 (ohms/ph)	Xm (ohms/ph)	VIBRATION (in/sec)	FLOAT
0.049	0.029	0.268	0.36	10.473	0.080	ODE

* N O T E S *	INVERTER TORQUE: VARIABLE 10:1 INV. HP SPEED RANGE: NONE					
	ENCODER: NONE					
	NONE					
	NONE					
	NONE PPR					

PREPARED BY: FAREEDA DUDEKULA	BRAKE: NONE
DATE: 5/3/2018	NONE NONE
	FT-LB: NA
	VOLTAGE: NONE HZ:
FORM: 3531 REV_4 2/27/06	UL: NO LETTER - ME,WUXI TEFC BLUEWHALE CLASS 1 DIV. 2 UL I

Data Sheet

365TSTFCD6003

Date: 5/3/2018
 Customer: _____
 Attention: _____
 Submitted by: FAREEDA DUDEKULA



Submittal

Data @ 460 V

Motor Load Data

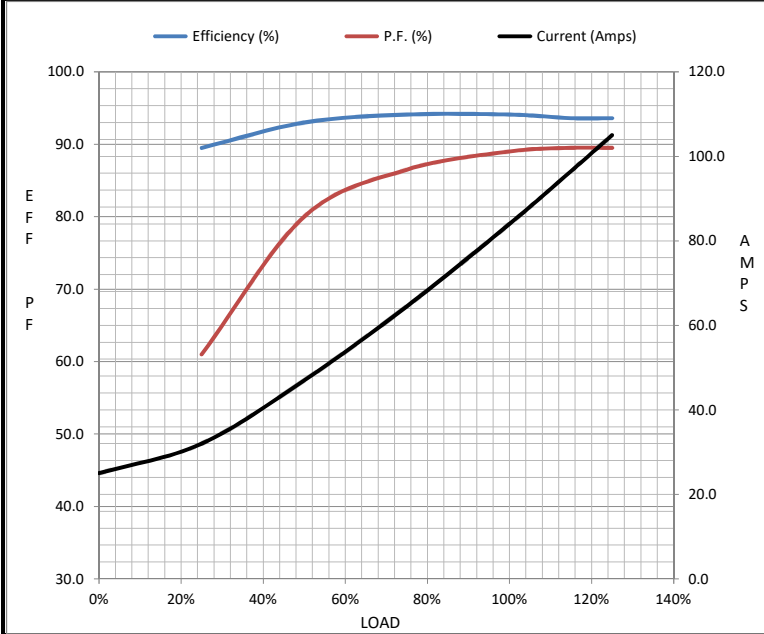
Load	0%	25%	50%	75%	100%	115%	125%	LR
Current (Amps)	25.0	32.0	47.0	64.5	84.0	96.5	105	542
Torque (ft-lb)	0.00	27.4	54.8	82.4	110	127	138	204
RPM	3600	3592	3584	3576	3570	3,562	3558	0
Efficiency (%)		89.5	93.0	94.1	94.1	93.6	93.6	
P.F. (%)	8.0	61.0	80.0	86.5	89.0	89.5	89.5	29.0

Motor Speed Data

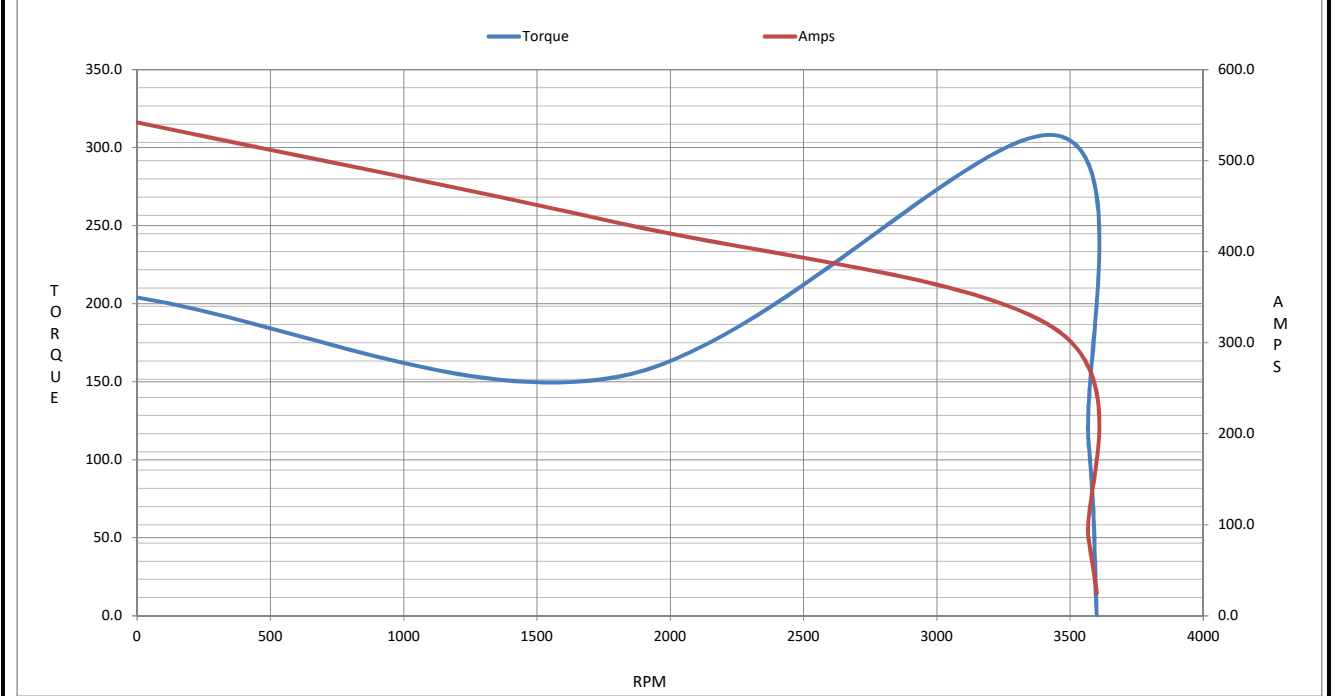
	LR	Pull-Up	BD	Rated	Idle
Speed (RPM)	0	1800	3445	3570	3600
Current (Amps)	542	432	315	84.0	25.0
Torque (ft-lb)	204	153	308	110	0.00

Information Block

HP	75.0			
Sync. RPM	3600			
Frame	365182TFC6080			
Enclosure	TEFC			
Construction	TFC			
Voltage	230/460#190/380 V			
Frequency	60 Hz			
Design	A			
LR Code letter	G			
Service Factor	1.15			
Temp Rise @ FL	70 °C			
Duty	CONT			
Ambient	40 °C			
Elevation	1,000 feet			
Rotor/Shaft wk ²	9.5 Lb-Ft ²			
Ref Wdg	HE32252005 NONE			
Sound Pressure @ 1M	75 dBA			
VFD Rating	VARIABLE 10:1			
Outline Dwg	SS557000			
Conn. Diag	EE7308AA			
Additional Specifications:				
0				
0				
EQUIV CKT (OHMS / PHASE)				
R1	R2	X1	X2	Xm
0.0490	0.0290	0.2680	0.3600	10.4730



Speed - Torque Curve



EC Declaration of Conformity

The undersigned representing
the manufacturer:

Regal Beloit America
100 East Randolph St.
Wausau, WI 54401

and the authorized representative
established within the Community:

Marathon Electric UK
6F Thistleton Road Ind. Estate
Market Overton
Oakham, Rutland LE15 7PP UK

are committed to providing customers with products that comply with applicable regulations and international protocols to which they are subject, including the requirements of the European Parliament Directive on the Harmonization of the laws relating to electrical equipment designed for use within certain voltage limits (2014/35/EU).

Regal Beloit America declares that the following product(s), to which this declaration relates, are in conformity with the relevant sections of the EC standards listed below.

This statement supersedes any statements previously issued pertaining to the product(s) listed below and is subject to change without notice.

Model No : 365TSTFCD6003

(Model No. may contain prefix and/or suffix characters)

Catalog No : GT1242A

Rework No : N/A

Directives :

Low Voltage Directive 2014/35/EU

Harmonized Standards Used :

EN 60034-1: 2010 (IEC 60034-1: 2010)

EN 60034-5: 2001/A1:2007 (IEC 60034-5: 2000/A1:2006)

Authorized Representative:



Michael A. Logsdon
Vice President, Technology

Authorized Representative in the Community:



Julian Clark
Marketing Engineer

Created on 09/01/2022

CE 22