

PRODUCT INFORMATION PACKET

marathon®
Motors

Model No: 365TSTDS6074

Catalog No: U450A

XRI® General Purpose General Purpose Motor, 75 & 60 HP, 3 Ph, 60 & 50 Hz, 230/460 & 190/380 V,
1800 & 1500 RPM, 365TSC Frame, DP



Regal and Marathon are trademarks of Regal Rexnord Corporation or one of its affiliated companies.

©2023 Regal Rexnord Corporation, All Rights Reserved. MC017097E

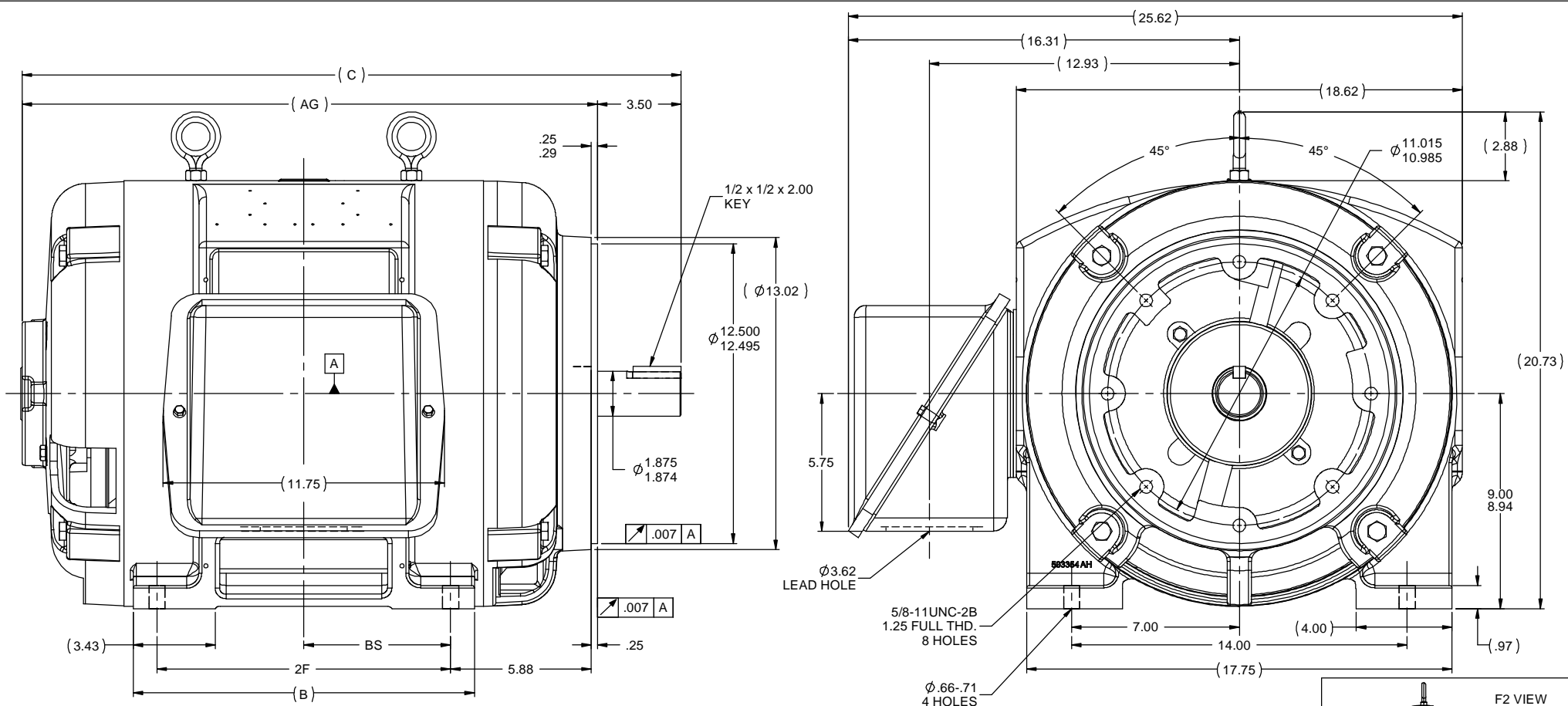
RegalRexnord

Nameplate Specifications

Phase	3	Output HP	75 & 60 Hp
Output KW	56.0 & 45.0 kW	Voltage	230/460 & 190/380 V
Speed	1780 & 1475 rpm	Service Factor	1.15 & 1.15
Frame	365TSC	Enclosure	Drip Proof
Thermal Protection	No Protection	Efficiency	95 & 94.5 %
Ambient Temperature	40 °C	Frequency	60 & 50 Hz
Current	174/87 & 171/85.5 A	Power Factor	85
Duty	Continuous	Insulation Class	F
Design Code	B	KVA Code	G
Drive End Bearing Size	6312	Opp Drive End Bearing Size	6312
UL	Recognized	CSA	Y
CE	Y	IP Code	12
Number of Speeds	1		

Technical Specifications

Electrical Type	Squirrel Cage Induction Run	Starting Method	Part Wdg Start Low Volt Only & Wye Start Delta Run
Poles	4	Rotation	Reversible
Resistance Main	.084 Ohms	Mounting	Rigid Base
Motor Orientation	Horizontal	Drive End Bearing	Ball
Opp Drive End Bearing	Ball	Frame Material	Cast Iron
Shaft Type	TS	Overall Length	27.50 in
Frame Length	15.00 in	Shaft Diameter	1.875 in
Shaft Extension	3.5 in	Assembly/Box Mounting	F1/F2 CAPABLE
Connection Drawing	A-EE7308AA	Outline Drawing	B-SS508618-1500



- NOTES:
 1. CONDUIT BOX CAN BE ROTATED IN 90° STEPS.
 2. CONDUIT BOX CAN BE MOUNTED ON OPPOSITE SIDE BY REMOVING BRACKETS AND TURNING FRAME 180°.
 3. NAMEPLATES TO BE READ FROM CONDUIT BOX SIDE OF MOTOR.

(B-SS509469)

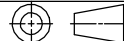


DRAWN TLB 02-04-1988
 CHK FG 02-04-1988
 APPR ML 02-04-1988

NO		REVISION		BY & DATE		TOLERANCES UNLESS SPECIFIED		FINISH		PAGE		OF	
NO		REVISION		BY & DATE		TOLERANCES UNLESS SPECIFIED		FINISH		PAGE		OF	
8	MODELED IN SOLIDWORKS & ADDED F2 VIEW MU 97811	JJB	11/2/2010	X	±.1	DEC INCHES		TITLE OUTLINE		DRAWN		TLB 02-04-1988	
7	UPDATED FRAME & CONDUIT BOX CN 24390	KL	4/4/2005	XX	±.03	DEC INCHES		360TSC FR. - DR. PR. - C'FACE		CHK		FG 02-04-1988	
6	REDRAWN IN AUTOCAD	TAT	6/29/2004	ML	XXX	DEC INCHES		MATERIAL		APPR		ML 02-04-1988	
5	REDRAWN ON CAD	TLB	2/4/1988	XXXX	±.0005	DEC INCHES		FINISH		REF		SCALE 1:4	
					±7'30"	DEC INCHES		FINISH		FMF		REF	
						DEC INCHES		FINISH		PAGE		OF	
						DEC INCHES		FINISH		PAGE		OF	

DASH	FRAME	B	C	AG	2F	BS
1400	364TSC	13.25	26.50	23.00	11.25	5.62
1500	365TSC	14.25	27.50	24.00	12.25	6.12

THIRD ANGLE PROJECTION



RFP 02-04-1988
 NETWORK FILE NAME SS508618

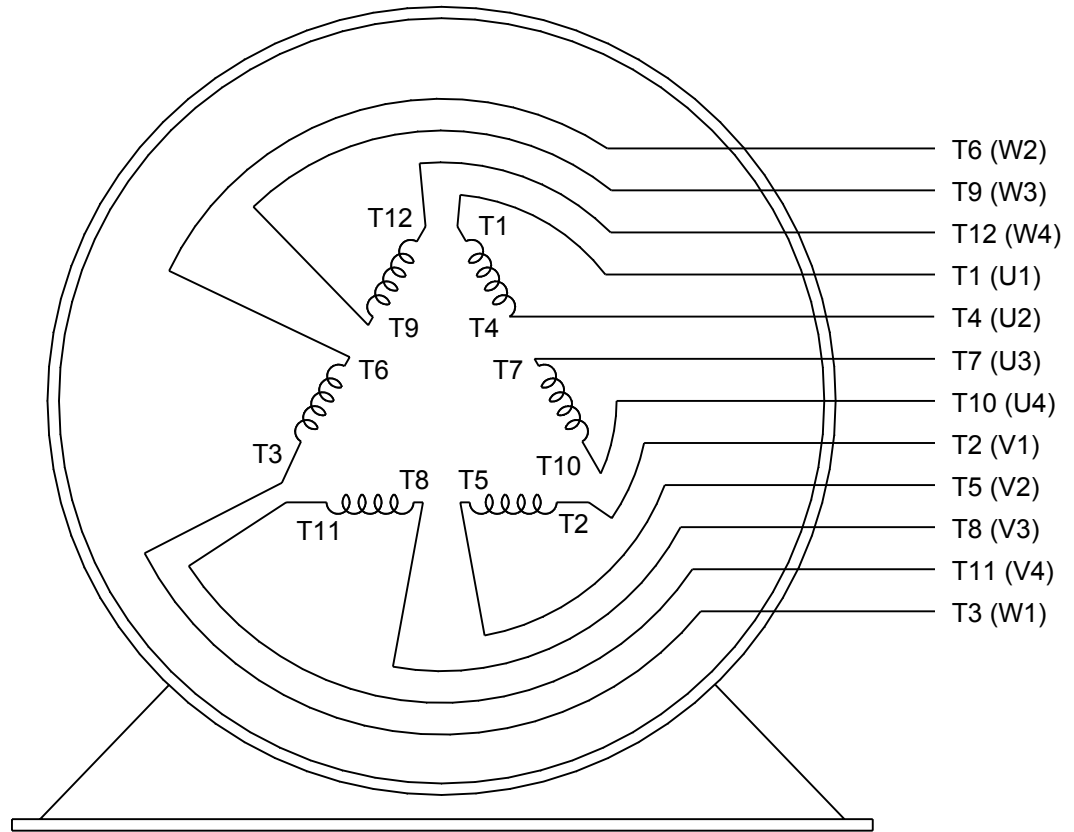
SIZE B
 DRAWING NO SS508618
 REV 8



LOW VOLTAGE



HIGH VOLTAGE



DRAWING REVISION K	REVISION BY AJW	DATE 07-17-2015
ECO ECO-0081632	APPROVED BY T. VUE	DATE 07-17-2015
ECO DESCRIPTION REV'D IEC MARKINGS PER IEC 60034-8		
COPYRIGHT REGAL BELOIT AMERICA, INC. ALL RIGHTS RESERVED. PROPRIETARY AND CONFIDENTIAL INFORMATION - THIS DOCUMENT IS THE PROPERTY OF REGAL BELOIT AMERICA, INC. ("OWNER") AND CONTAINS OWNER'S PROPRIETARY INFORMATION. ANY PERSON, CORPORATION OR OTHER FIRM RECEIVING IT IS DEEMED, BY RECEIVING IT, TO AGREE THAT IT, AND/OR ANY PART OF IT, SHALL NOT BE DISCLOSED TO ANY PERSON, CORPORATION OR OTHER ENTITY, DUPLICATED, AND/OR USED, EXCEPT AS EXPRESSLY APPROVED IN WRITING IN ADVANCE BY OWNER. THIS DOCUMENT SHALL BE RETURNED TO OWNER UPON REQUEST. IT MAY BE SUBJECT TO CERTAIN RESTRICTIONS UNDER APPLICABLE EXPORT CONTROL LAWS AND REGULATIONS.		



DRAWN BY LZ	Regal Beloit America, Inc.	
DATE 01-12-1994		
APPROVED BY GK	DESCRIPTION CONN DIAGRAM-EXTERNAL 3Ø-2/1 DELTA-12 LEADS	
DATE 01-14-1994	MATERIAL	PROCESS/FINISH
REFERENCE	SIZE A	DRAWING NUMBER EE7308AA
THIRD ANGLE PROJECTION	SHEET 1 OF 1	

Data Sheet

Date: 6/29/2017

365TSTDS6074

Customer: _____



Attention: _____

Submittal

Submitted by: FAREEDA DUDEKULA

Data @ 460 V

Motor Load Data

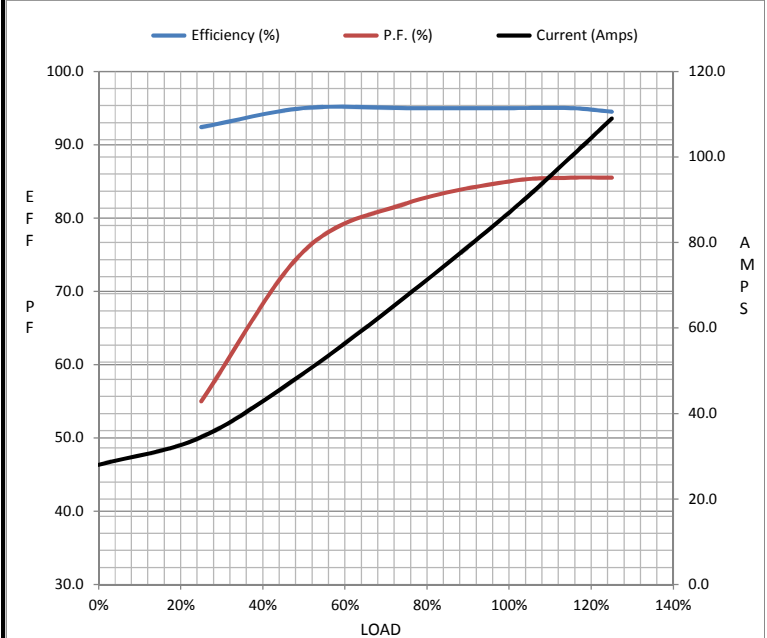
Load	0%	25%	50%	75%	100%	115%	125%	LR
Current (Amps)	28.0	34.5	49.5	67.5	87.0	100	109	542
Torque (ft-lb)	0.00	55.0	110	166	222	255	278	375
RPM	1800	1795	1790	1785	1780	1,775	1772	0
Efficiency (%)		92.4	95.0	95.0	95.0	95.0	94.5	
P.F. (%)	5.0	55.0	75.5	82.0	85.0	85.5	85.5	35.0

Motor Speed Data

	LR	Pull-Up	BD	Rated	Idle
Speed (RPM)	0	900	1700	1780	1800
Current (Amps)	542	500	325	87.0	28.0
Torque (ft-lb)	375	350	575	222	0.00

Information Block

HP	75.0			
Sync. RPM	1800			
Frame	365			
Enclosure	DP			
Construction	TDS			
Voltage	30/460#190/381V			
Frequency	60 Hz			
Design	A			
LR Code letter	G			
Service Factor	1.15			
Temp Rise @ FL	45 °C			
Duty	CONT			
Ambient	40 °C			
Elevation	1,000 feet			
Rotor/Shaft wk ²	15.0 Lb-Ft ²			
Ref Wdg	T3654147 NONE			
Sound Pressure @ 1M	75 dBA			
VFD Rating	NONE			
Outline Dwg	B-SS508618-1500			
Conn. Diag	A-EE7308AA			
Additional Specifications:				
0				
0				
EQUIV CKT (OHMS / PHASE)				
R1	R2	X1	X2	Xm
0.0560	0.0340	0.3450	0.4010	8.6560



Speed - Torque Curve

