

PRODUCT INFORMATION PACKET

marathon[®]
Motors

Model No: 365TSTDS4026

Catalog No: E1782A

75 HP General Purpose Motor, 3 phase, 1800 RPM, 230/460 V, 365TS Frame, ODP
General Purpose Motors

Regal and Marathon are trademarks of Regal Rexnord Corporation or one of its affiliated companies.
©2021 Regal Rexnord Corporation, All Rights Reserved. MC017097E

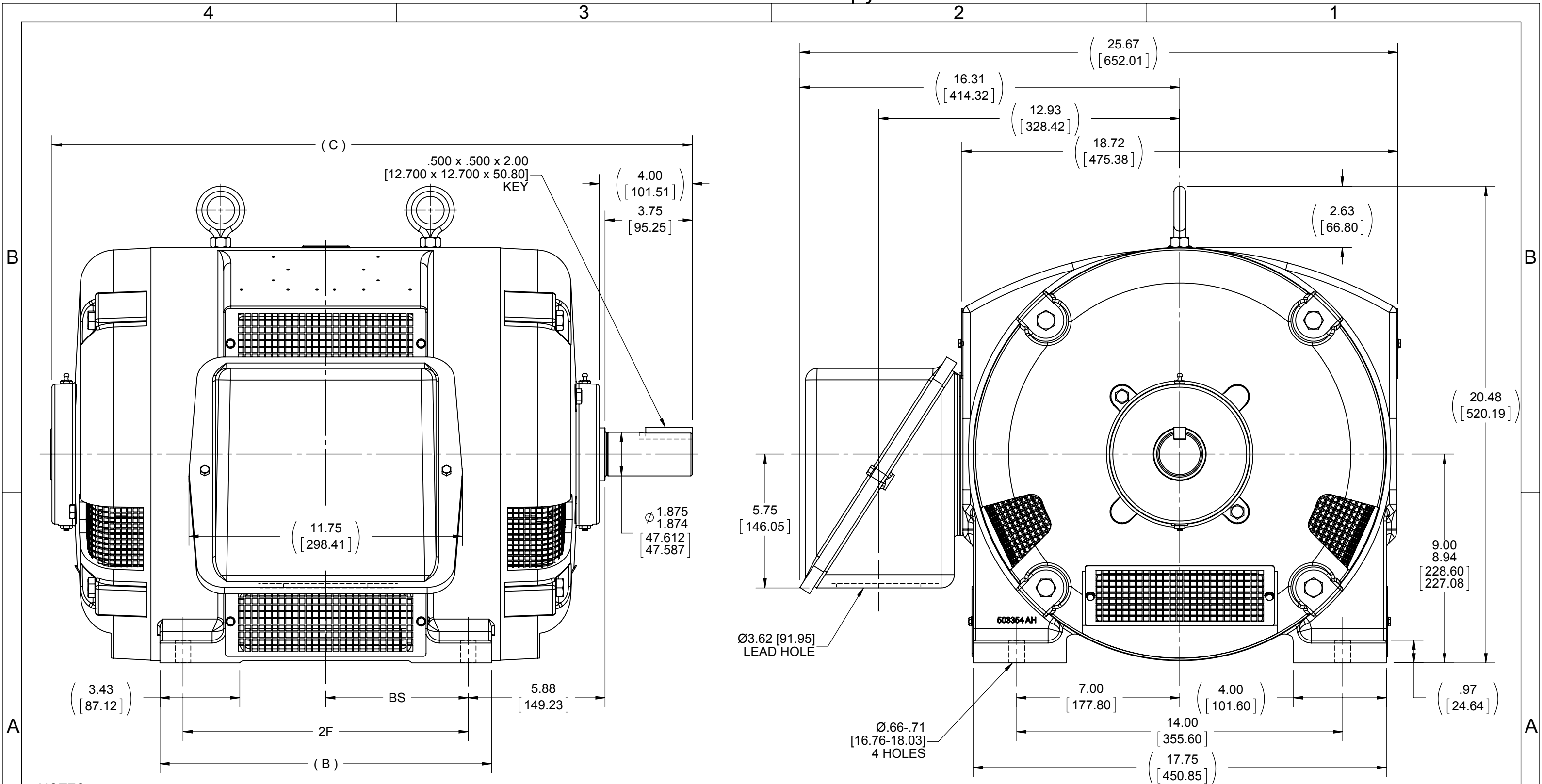
The logo for Regal Rexnord, featuring a stylized 'R' icon followed by the text 'RegalRexnord'.

Nameplate Specifications

Output HP	75 Hp	Output KW	56.0 kW
Frequency	60 Hz	Voltage	230/460 V
Current	179.0/89.5 A	Speed	1780 rpm
Service Factor	1.15	Phase	3
Efficiency	94.1 %	Power Factor	83.5
Duty	Continuous	Insulation Class	F
Design Code	B	KVA Code	G
Frame	365TS	Enclosure	Drip Proof
Thermal Protection	No	Ambient Temperature	40 °C
Drive End Bearing Size	6312	Opp Drive End Bearing Size	6312
UL	Recognized	CSA	Y
CE	Y	IP Code	12
Number of Speeds	1		

Technical Specifications

Electrical Type	Squirrel Cage Induction Run	Starting Method	Across The Line
Poles	4	Rotation	Reversible
Resistance Main	.085 Ohms	Mounting	Rigid Base
Motor Orientation	Horizontal	Drive End Bearing	Ball
Opp Drive End Bearing	Ball	Frame Material	Cast Iron
Shaft Type	TS	Overall Length	27.50 in
Frame Length	15.00 in	Shaft Diameter	1.875 in
Shaft Extension	4 in	Assembly/Box Mounting	F1/F2 CAPABLE
Connection Drawing	A-EE7308K	Outline Drawing	B-SS509966-1500



- NOTES:
 1. CONDUIT BOX CAN BE ROTATED IN 90° STEPS.
 2. CONDUIT BOX CAN BE MOUNTED ON OPPOSITE SIDE BY REMOVING BRACKETS AND TURNING FRAME 180°.
 3. NAMEPLATES TO BE READ FROM CONDUIT BOX SIDE OF MOTOR.
 4. DIMENSION IN [] DESIGNATE MILLIMETERS.

DASH	FRAME	B	C	2F	BS
1400	364TS	13.25 [336.55]	26.50 [673.10]	11.25 [285.75]	5.62 [142.75]
1500	365TS	14.25 [361.95]	27.50 [698.50]	12.25 [311.15]	6.12 [155.45]

DRAWING REVISION A	REVISION BY JJB	DATE 06-19-2014
ECO ECO-0053523	APPROVED BY TDB	DATE 06-19-2014
ECO DESCRIPTION UPDATED TO CURRENT STANDARDS COPYRIGHT REGAL BELOIT AMERICA, INC. ALL RIGHTS RESERVED PROPRIETARY AND CONFIDENTIAL INFORMATION - THIS DOCUMENT IS THE PROPERTY OF REGAL BELOIT AMERICA, INC. ("OWNER") AND CONTAINS OWNER'S PROPRIETARY INFORMATION. ANY PERSON, CORPORATION OR OTHER FIRM RECEIVING IT IS DEEMED, BY RECEIVING IT, TO AGREE THAT IT, AND/OR ANY PART OF IT, SHALL NOT BE DISCLOSED TO ANY PERSON, CORPORATION OR OTHER ENTITY, DUPLICATED, AND/OR USED, EXCEPT AS EXPRESSLY APPROVED IN WRITING IN ADVANCE BY OWNER. THIS DOCUMENT SHALL BE RETURNED TO OWNER UPON REQUEST. IT MAY BE SUBJECT TO CERTAIN RESTRICTIONS UNDER APPLICABLE EXPORT CONTROL LAWS AND REGULATIONS.		

TOLERANCES UNLESS OTHERWISE SPECIFIED:

DEC.	INCH	mm	ANGLE
.X	±0.1	[±2.5]	±0.5°
.XX	±0.01	[±0.25]	
.XXX	±0.005	[±0.127]	
.XXXX	±0.0005	[±0.0127]	

REMOVE BURRS & BREAK SHARP EDGES: .003/.015 [0.076/.381]
 CORNER FILLETS: .02 [0.51]
 MACHINED SURFACES: 125 INCH 3.2 mm
 mm SHOWN IN [BRACKETS]

DRAWN BY TLB	DATE 02-04-1988
APPROVED BY GK	DATE 02-04-1988
REFERENCE	THIRD ANGLE PROJECTION

REGAL ™ Regal Beloit America, Inc.	
DESCRIPTION OUTLINE 360TS & US FR - DR PR - SCREENED	
MATERIAL	PROCESS/FINISH
SIZE B	DRAWING NUMBER SS509966
SHEET 1 OF 1	

LOW VOLTAGE



HIGH VOLTAGE



VIEW OF TERMINAL END

				TOLERANCES UNLESS SPECIFIED		 REGAL - BELOIT CORPORATION	DRAWN PGK 06-04-1997	
NO.	REVISION	BY & DATE	CHK	ANG	±		INCHES	CHK
E	CORRECTED IEC MARKINGS ECD-0111208	WGJ 01-23-2017	EMH	DEC.				
D	RE-DRAWN WITH REGAL LOGO ECD-0110493	WGJ 09-30-2016	EMH	.X	±.1			APPD GK 06-15-1997
8	ADDED IEC DESIGNATIONS MU95020	TJW 4/30/2010	MJS	.XX	±.02	TITLE	CONNECTION DIAGRAM	
7	REVISED HIGH VOLTAGE L2 WAS L3 CN52600-354	MRB 09-21-1998		.XXX	±.005		DELTA CON. - 3Ø - 9 LEADS	
6	REDRAWN ON CADD	PGK 06-05-1997		.XXXX	±.0005	MAT'L.	FMF	
					±7'30"	FINISH	PREV	
THIS DRAWING IN DESIGN AND DETAIL IS OUR PROPERTY AND MUST NOT BE USED EXCEPT IN CONNECTION WITH OUR WORK ALL RIGHTS OF DESIGN AND INVENTION ARE RESERVED THIS IS AN ELECTRONICALLY GENERATED DOCUMENT - DO NOT SCALE THIS PRINT						RFP	CAD FILE EE7308K	
						DIST	SIZE	DRAWING NO. PAGE OF
							A	EE7308K
								REV. E