

PRODUCT INFORMATION PACKET

Model No: 365TSTD4347

Catalog No: U525A

75 HP Fire Pump Motor, 3 phase, 1800 RPM, 190/380-400 V, 365TS Frame, ODP
Fire Pump Motors



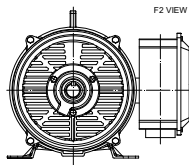
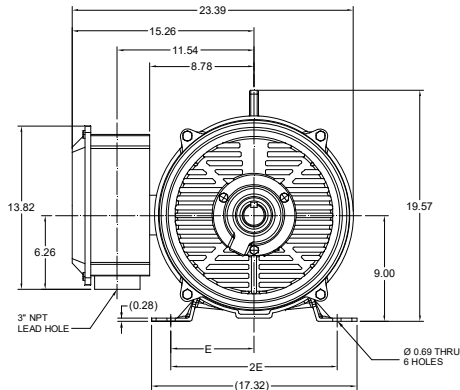
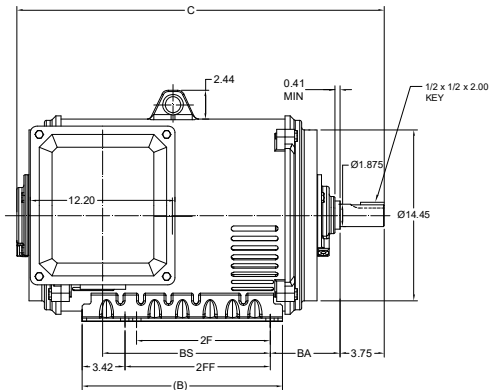
Nameplate Specifications

Output HP	75 Hp	Output KW	56.0 kW
Frequency	60 Hz	Voltage	190/380-400 V
Current	206.0/103.0-97.0 A	Speed	1780 rpm
Service Factor	1.15	Phase	3
Efficiency	94.1 %	Power Factor	87
Duty	Continuous	Insulation Class	F
Design Code	B	KVA Code	F
Frame	365TS	Enclosure	Drip Proof
Thermal Protection	No	Ambient Temperature	50 °C
Drive End Bearing Size	6314	Opp Drive End Bearing Size	6313
UL	Listed	CSA	Y
CE	Y	IP Code	23
Number of Speeds	1		

Technical Specifications



Electrical Type	Squirrel Cage Induction Run	Starting Method	Part Wdg Start & Wye Start Delta Run
Poles	4	Rotation	Reversible
Resistance Main	.115 Ohms	Mounting	Rigid Base
Motor Orientation	Horizontal	Drive End Bearing	Ball
Opp Drive End Bearing	Ball	Frame Material	Cast Iron
Shaft Type	TS	Overall Length	31.14 in
Frame Length	18.89 in	Shaft Diameter	1.875 in
Shaft Extension	3.75 in	Assembly/Box Mounting	F1/F2 CAPABLE
Connection Drawing	EE7308AA	Outline Drawing	SS620748-365TS

DASH NO.	B	C	E	2E	2F	2FF	BA	BS	MOUNTING	FRAME
100	16.93	29.57	7.00	14.00	11.25	12.25	5.88	14.09	F1 OR F2	364TS
200		31.14						15.67		365TS



DRAWING REVISION	REVISION BY	REV DATE / DATE
B	JJP	27/04/2021
ECO CR-0002338	APPROVED BY GNK	DATE 27/04/2021
ECO DESCRIPTION		
DRAWING UPDATED		
<small>COPYRIGHT (REGISTRATION) BELT REGAL BELT AMERICA, INC. ALL RIGHTS RESERVED. IMPROVE THAT AND CONSENTS TO INFORMATION. THIS DOCUMENT IS THE PROPERTY OF REGAL BELT OF AMERICA, INC. (OWNER) AND CONTAINS OWNER'S PROPRIETARY INFORMATION. ANY PERSONAL COPIES OR USE OF THIS DRAWING IS STRICTLY PROHIBITED. TO AGREE THAT IT AND/OR ANY PART OF IT SHALL NOT BE DISCLOSED TO ANY PERSON, CORPORATION OR OTHER ENTITY, UNLESS APPROVED IN WRITING BY AN APPROVED APPROVED IN WRITING IN ADVANCE BY OWNER. THIS DOCUMENT SHALL BE RETURNED TO OWNER UPON REQUEST. IT MAY BE SUBJECT TO CHANGE WITHOUT NOTICE UNDER APPLICABLE EXPORT CONTROL LAWS AND REGULATIONS.</small>		

PRIMARY DIMENSIONS ARE INCH
 DIMENSIONS IN BRACKETES
 ARE FOR REFERENCE ONLY

DRAWN BY	Xiaowei zhu		Regal Beloit America, Inc.
DATE		DESCRIPTION	OUTLINE
APPROVED BY		MATERIAL	364/365TS FR-NEMA-COP-RS
DATE		PROCESS/FINISH	
REFERENCE		SIZE	DRAWING NUMBER
THIRD ANGLE PROJECTION		B	SS620748

SHEET
1 OF 1



LOW VOLTAGE



HIGH VOLTAGE



DRAWING REVISION K	REVISION BY AJW	DATE 07-17-2015
ECO ECO-0081632	APPROVED BY T. VUE	DATE 07-17-2015
ECO DESCRIPTION REV'D IEC MARKINGS PER IEC 60034-8		
<small>COPYRIGHT REGAL BELOIT AMERICA, INC. ALL RIGHTS RESERVED. PROPRIETARY AND CONFIDENTIAL INFORMATION - THIS DOCUMENT IS THE PROPERTY OF REGAL BELOIT AMERICA, INC. ("OWNER") AND CONTAINS OWNER'S PROPRIETARY INFORMATION. ANY PERSON, CORPORATION OR OTHER FIRM RECEIVING IT IS DEEMED, BY RECEIVING IT, TO AGREE THAT IT, AND/OR ANY PART OF IT, SHALL NOT BE DISCLOSED TO ANY PERSON, CORPORATION OR OTHER ENTITY, DUPLICATED, AND/OR USED, EXCEPT AS EXPRESSLY APPROVED IN WRITING IN ADVANCE BY OWNER. THIS DOCUMENT SHALL BE RETURNED TO OWNER UPON REQUEST. IT MAY BE SUBJECT TO CERTAIN RESTRICTIONS UNDER APPLICABLE EXPORT CONTROL LAWS AND REGULATIONS.</small>		



DRAWN BY LZ	Regal Beloit America, Inc.	
DATE 01-12-1994		
APPROVED BY GK	DESCRIPTION CONN DIAGRAM-EXTERNAL 3Ø-2/1 DELTA-12 LEADS	
DATE 01-14-1994		
REFERENCE	MATERIAL	PROCESS/FINISH
THIRD ANGLE PROJECTION	SIZE A	DRAWING NUMBER EE7308AA
		SHEET 1 OF 1



P.O. BOX 8003
WAUSAU, WI 54401-8003
PH. 715-675-3311

DATA VOLTS: 460

CERTIFICATION DATA SHEET

CUSTOMER: _____ CUSTOMER P.O. #: _____
 ORDER #: _____ REFERENCE MODEL #: 365TSTDCD4347
 CONN. DIAGRAM: EE7308AA CAT #: U525A
 OUTLINE: SS620748 CUSTOMER PART #: _____
 WINDING: IE2L2254101 NONE 3 MOUNTING: F1/F2 CAPABLE
 SPEED: _____

TYPICAL MOTOR PERFORMANCE DATA

HP	KW	SYNC RPM	FL RPM	FRAME	ENCLOSURE	TYPE	KVA CODE	DESIGN
75	56	1800	1780	365TS	DP	TDC	F	B

PH	HZ	VOLTS	AMPS	START TYPE	DUTY	INSL	S.F.	AMB	ELEV.
3	60	190/380	206/103	WS(LV ONLY) & YDRU	CONT	F	1.15	50	3300

F.L. EFF	94.1	3/4 LD EFF	94.1	1/2 LD EFF	93.0	GTD EFF	93.0	ELECT. TYPE	SQ CAGE IND RUN
F.L. PF	87.0	3/4 LD PF	86.0	1/2 LD PF	81.0				

F.L. TORQUE	LR AMPS @ 460 V	L.R. TORQUE	B.D. TORQUE	F.L. RISE (°C)
222 LB-FT	629	415 LB-FT 187%	475 LB-FT 214%	50

@ 3 FT.	POWER	ROTOR WK ²	MAX. LOAD WK ²	SAFE STALL TIME	STARTS/HOUR	MOTOR WGT
75 dBA	84 dBA	0.00 LB-FT ²	0 LB-FT ²	20 SEC.	0	0 LB.

***** SUPPLEMENTAL INFORMATION *****

DE BRACKET TYPE	ODE BRACKET TYPE	MOUNT TYPE	MOTOR ORIENTATION	SEVERE DUTY	HAZARDOUS LOCATION	DRIP COVER	SCREENS	PAINT
STANDARD	STANDARD	RIGID	HORIZONTAL	NO	NONE	NO	NONE	RED (ENAMEL)

BEARINGS		GREASE	SHAFT TYPE	SPECIAL DE	SPECIAL ODE	SHAFT MATERIAL	FRAME MATERIAL
DE	ODE						
BALL	BALL	POLYREX EM	TS	NONE	NONE	1045 HOT ROLLED (C-204)	CAST IRON
6314	6313						

THERMOSTATS	PROTECTORS	WDG RTD's	BRG RTD's	THERMISTORS	CONTROL	SPACE HEATERS
NONE	NOT	NONE	NONE	NONE	FALSE	NA

R1 (ohms/ph)	R2 (ohms/ph)	X1 (ohms/ph)	X2 (ohms/ph)	Xm (ohms/ph)	VIBRATION (in/sec)	FLOAT
0.048	0.002	0.217	0.328	8.252	0.150	ODE

* N O T E S *	INVERTER TORQUE: NONE					
	INV. HP SPEED RANGE: NONE					
	ENCODER: NONE					
	NONE					
	NONE NONE PPR					

PREPARED BY: FAREEDA DUDEKULA	BRAKE: NONE
DATE: 8/21/2018	NONE NONE
	FT-LB: NA
	VOLTAGE: NONE HZ:
	UL: NONE

FORM: 3531 REV_4 2/27/06

Data Sheet

365TSTD4347

Date: 12/12/2018
 Customer: _____
 Attention: _____
 Submitted by: FAREEDA DUDEKULA



Submittal

Data @ 380 V

Motor Load Data

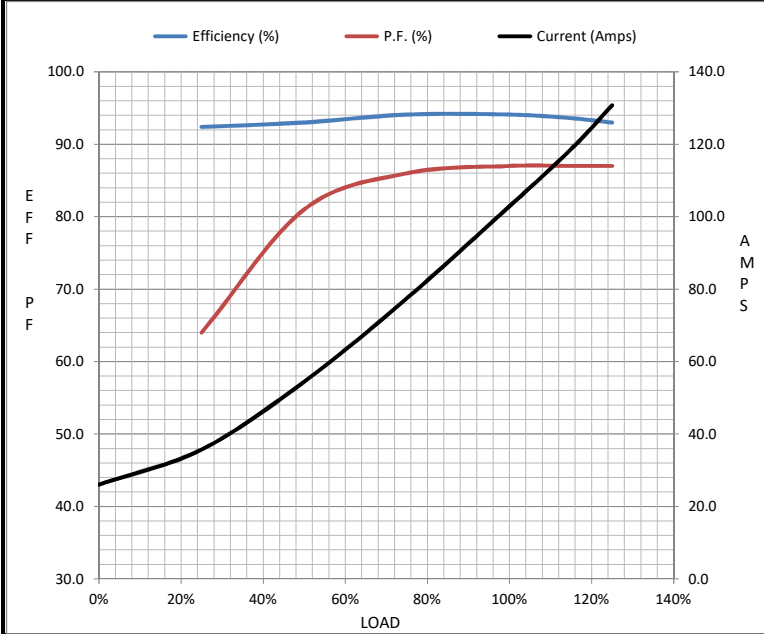
Load	0%	25%	50%	75%	100%	115%	125%	LR
Current (Amps)	26.0	35.7	54.5	77.5	103	119	131	629
Torque (ft-lb)	0.00	55.0	110	166	222	256	278	415
RPM	1800	1795	1790	1785	1780	1,775	1772	0
Efficiency (%)		92.4	93.0	94.1	94.1	93.6	93.0	
P.F. (%)	4.5	64.0	81.0	86.0	87.0	87.0	87.0	38.0

Motor Speed Data

	LR	Pull-Up	BD	Rated	Idle
Speed (RPM)	0	900	1700	1780	1800
Current (Amps)	629	545	333	103	26.0
Torque (ft-lb)	415	350	475	222	0.00

Information Block

HP	75.0			
Sync. RPM	1800			
Frame	365			
Enclosure	DP			
Construction	TDC			
Voltage	190/380 V			
Frequency	60 Hz			
Design	B			
LR Code letter	F			
Service Factor	1.15			
Temp Rise @ FL	50 °C			
Duty	CONT			
Ambient	40 °C			
Elevation	1,000 feet			
Rotor/Shaft wk ²	0.00 Lb-Ft ²			
Ref Wdg	IE2L2254101 NONE			
Sound Pressure @ 1M	75 dBA			
VFD Rating	NONE			
Outline Dwg	SS620748			
Conn. Diag	EE7308AA			
Additional Specifications:				
0				
0				
EQUIV CKT (OHMS / PHASE)				
R1	R2	X1	X2	Xm
0.0480	0.0020	0.2170	0.3280	8.2520



Speed - Torque Curve

