

PRODUCT INFORMATION PACKET

Model No: 365TSTDCD4025

Catalog No: U526A

Fire Pump Motor, 100 & 75 HP, 3 Ph, 60 & 50 Hz, 230/460 & 190/380 V, 3600 & 3000 RPM, 365TS Frame,
DP



Regal and Marathon are trademarks of Regal Rexnord Corporation or one of its affiliated companies.

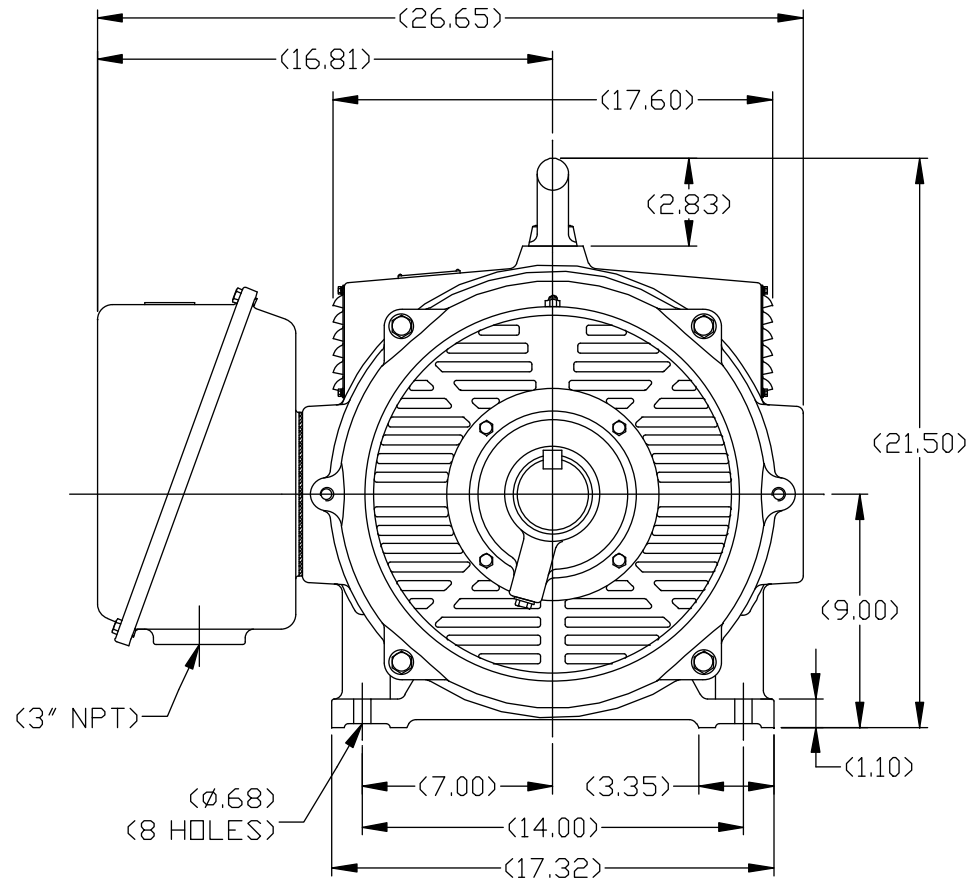
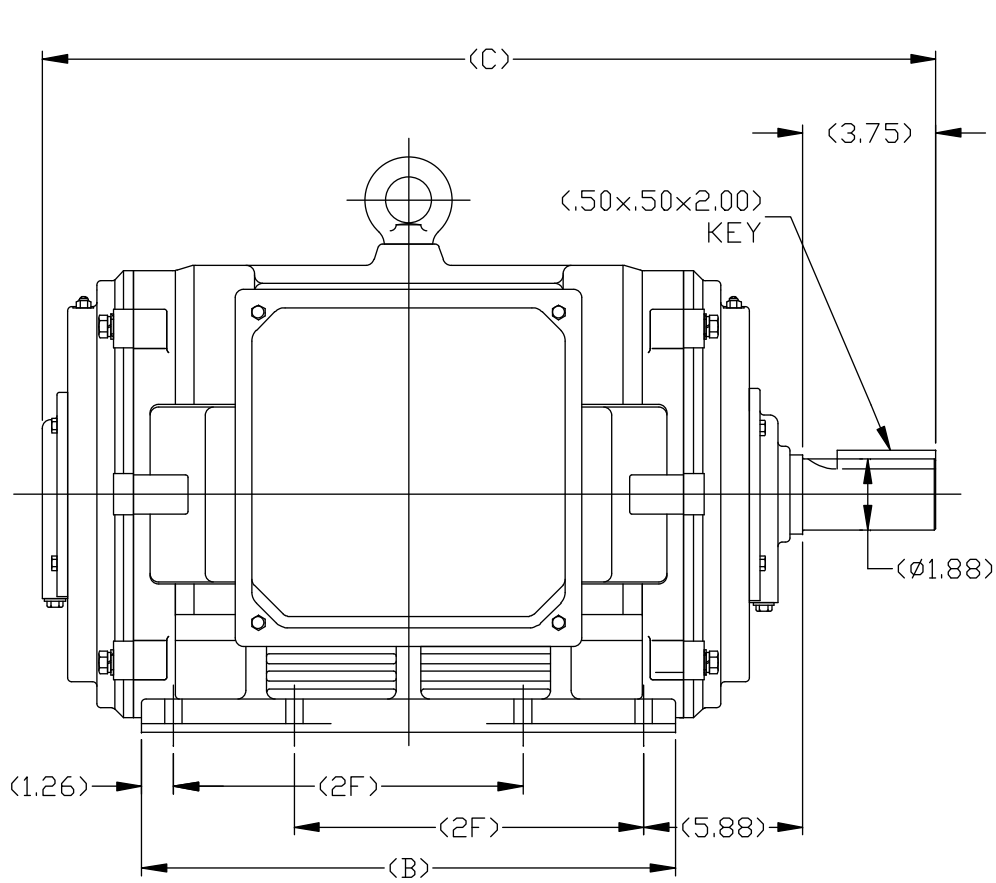
©2023 Regal Rexnord Corporation, All Rights Reserved. MC017097E

Nameplate Specifications

Phase	3	Output HP	100 & 75 Hp
Output KW	75.0 & 56.0 kW	Voltage	230/460 & 190/380 V
Speed	3568 & 2970 rpm	Service Factor	1.15 & 1.15
Frame	365TS	Enclosure	Drip Proof
Thermal Protection	No Protection	Efficiency	93 & 92.4 %
Ambient Temperature	50 °C	Frequency	60 & 50 Hz
Current	228/114 & 210/105 A	Power Factor	88
Duty	Continuous	Insulation Class	F
Design Code	B	KVA Code	F
Drive End Bearing Size	6312	Opp Drive End Bearing Size	6312
UL	Listed	CSA	Y
CE	Y	IP Code	23
Number of Speeds	1		

Technical Specifications


Electrical Type	Squirrel Cage Induction Run	Starting Method	Part Wdg Start Low Volt Only & Wye Start Delta Run
Poles	2	Rotation	Reversible
Resistance Main	.095 Ohms	Mounting	Rigid Base
Motor Orientation	Horizontal	Drive End Bearing	Ball
Opp Drive End Bearing	Ball	Frame Material	Cast Iron
Shaft Type	TS	Overall Length	29.57 in
Frame Length	18.89 in	Shaft Diameter	1.875 in
Shaft Extension	3.75 in	Assembly/Box Mounting	F1/F2 CAPABLE
Connection Drawing	EE7308AA	Outline Drawing	SS620113-365TS



(MAY NOT BE TO SCALE)

(DIMENSIONS IN TABLE ARE CONSIDERED REFERENCE)

364TSTDCA4026	364TS	29.57	17.32	11.25
365TSTDCA4026	365TS	31.14	18.90	12.25
MODEL	FRAME	C	B	2F

		TOLERANCES UNLESS SPECIFIED		 REGAL-BELOIT CORPORATION	DRAWN SB 01-14-2008
		DEC.	INCHES		CHK ML 11-09-2007
		.X	±.1	TITLE	APPD MSG 11-09-2007
		.XX	±.03	364/365TSTDCA4026 - DDP	SCALE 1=1
		.XXX	±.005	MAT'L.	REF
		.XXXX	±.0005	FINISH	FMF HUADA
NO.	REVISION	BY & DATE	CHK ANG ±1/2	PREV	
THIS DRAWING IN DESIGN AND DETAIL IS OUR PROPERTY AND MUST NOT BE USED EXCEPT IN CONNECTION WITH OUR WORK ALL RIGHTS OF DESIGN AND INVENTION ARE RESERVED THIS IS AN ELECTRONICALLY GENERATED DOCUMENT - DO NOT SCALE THIS PRINT				RFP CAD FILE SS620113	SIZE B DRAWING NO. SS620113
				DIST	REV.



LOW VOLTAGE



HIGH VOLTAGE



DRAWING REVISION K	REVISION BY AJW	DATE 07-17-2015
ECO ECO-0081632	APPROVED BY T. VUE	DATE 07-17-2015
ECO DESCRIPTION REV'D IEC MARKINGS PER IEC 60034-8		
COPYRIGHT REGAL BELOIT AMERICA, INC. ALL RIGHTS RESERVED. PROPRIETARY AND CONFIDENTIAL INFORMATION - THIS DOCUMENT IS THE PROPERTY OF REGAL BELOIT AMERICA, INC. ("OWNER") AND CONTAINS OWNER'S PROPRIETARY INFORMATION. ANY PERSON, CORPORATION OR OTHER FIRM RECEIVING IT IS DEEMED, BY RECEIVING IT, TO AGREE THAT IT, AND/OR ANY PART OF IT, SHALL NOT BE DISCLOSED TO ANY PERSON, CORPORATION OR OTHER ENTITY, DUPLICATED, AND/OR USED, EXCEPT AS EXPRESSLY APPROVED IN WRITING IN ADVANCE BY OWNER. THIS DOCUMENT SHALL BE RETURNED TO OWNER UPON REQUEST. IT MAY BE SUBJECT TO CERTAIN RESTRICTIONS UNDER APPLICABLE EXPORT CONTROL LAWS AND REGULATIONS.		



DRAWN BY LZ	Regal Beloit America, Inc.	
DATE 01-12-1994		
APPROVED BY GK	DESCRIPTION CONN DIAGRAM-EXTERNAL 3Ø-2/1 DELTA-12 LEADS	
DATE 01-14-1994		
REFERENCE	MATERIAL	PROCESS/FINISH
THIRD ANGLE PROJECTION	SIZE A	DRAWING NUMBER EE7308AA
		SHEET 1 OF 1



P.O. BOX 8003
WAUSAU, WI 54401-8003
PH. 715-675-3311

DATA VOLTS: 460

CERTIFICATION DATA SHEET

CUSTOMER: _____ CUSTOMER P.O. #: _____
 ORDER #: _____ REFERENCE MODEL #: 365TSTDCD4025
 CONN. DIAGRAM: EE7308AA CAT #: U526A
 OUTLINE: SS620748 CUSTOMER PART #: _____
 WINDING: IE3L2252111 NONE 2 MOUNTING: F1/F2 CAPABLE
 SPEED: _____

TYPICAL MOTOR PERFORMANCE DATA

HP	KW	SYNC RPM	FL RPM	FRAME	ENCLOSURE	TYPE	KVA CODE	DESIGN
100	75	3600	3568	365TS	DP	TDC	F	B

PH	HZ	VOLTS	AMPS	START TYPE	DUTY	INSL	S.F.	AMB	ELEV.
3	60/50	230/460#190/380	228/114&210/105	WS(LV ONLY) & YDRU	CONT	F	1.15	50	3300

F.L. EFF	93.0	3/4 LD EFF	93.0	1/2 LD EFF	92.4	GTD EFF	ELECT. TYPE
F.L. PF	88.0	3/4 LD PF	86.0	1/2 LD PF	80.0	91.7	SQ CAGE IND RUN

F.L. TORQUE	LR AMPS @ 460 V	L.R. TORQUE	B.D. TORQUE	F.L. RISE (°C)
147 LB-FT	675	235 LB-FT 160%	350 LB-FT 238%	65

@ 3 FT.	POWER	ROTOR WK ²	MAX. LOAD WK ²	SAFE STALL TIME	STARTS/HOUR	MOTOR WGT
999 dBA	1008 dBA	0.00 LB-FT ²	0 LB-FT ²	20 SEC.	2	0 LB.

*** SUPPLEMENTAL INFORMATION ***

DE BRACKET TYPE	ODE BRACKET TYPE	MOUNT TYPE	MOTOR ORIENTATION	SEVERE DUTY	HAZARDOUS LOCATION	DRIP COVER	SCREENS	PAINT
STANDARD	STANDARD	RIGID	HORIZONTAL	NO	NONE	NO	NONE	RED (ENAMEL)

BEARINGS		GREASE	SHAFT TYPE	SPECIAL DE	SPECIAL ODE	SHAFT MATERIAL	FRAME MATERIAL
DE	ODE	POLYREX EM	TS	NONE	NONE	1045 HOT ROLLED (C-204)	CAST IRON
BALL	BALL						
6312	6312						

THERMOSTATS	PROTECTORS	WDG RTD's	BRG RTD's	THERMISTORS	CONTROL	SPACE HEATERS
NONE	NOT	NONE	NONE	NONE	FALSE	NA

R1 (ohms/ph)	R2 (ohms/ph)	X1 (ohms/ph)	X2 (ohms/ph)	Xm (ohms/ph)	VIBRATION (in/sec)	FLOAT
0.057	0.021	0.216	0.298	8.449	0.150	ODE

* N O T E S *	INVERTER TORQUE: NONE INV. HP SPEED RANGE: NONE					
	ENCODER: NONE NONE NONE					
	BRAKE: NONE NONE NONE					
	FT-LB: NA VOLTAGE: NONE					
	UL: NONE					

PREPARED BY: FAREEDA DUDEKULA
 DATE: 8/20/2018

Data Sheet

Date: 12/13/2018
 Customer: _____
 Attention: _____
 Submitted by: FAREEDA DUDEKULA



365TSTDCD4025

Submittal

Data @ 460 V

Motor Load Data

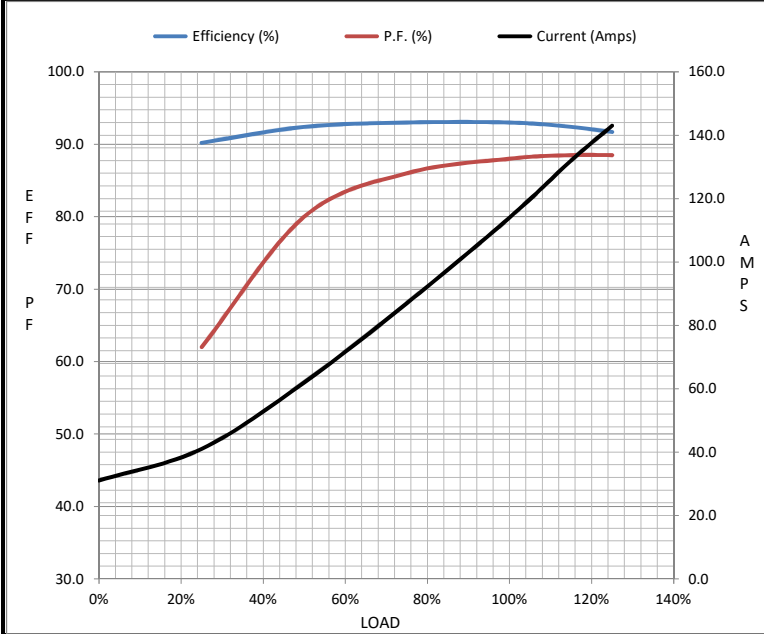
Load	0%	25%	50%	75%	100%	115%	125%	LR
Current (Amps)	31.0	41.0	62.0	87.0	114	132	143	675
Torque (ft-lb)	0.00	36.5	73.5	110	147	170	185	235
RPM	3600	3590	3585	3575	3568	3,562	3558	0
Efficiency (%)		90.2	92.4	93.0	93.0	92.4	91.7	
P.F. (%)	6.5	62.0	80.0	86.0	88.0	88.5	88.5	36.0

Motor Speed Data

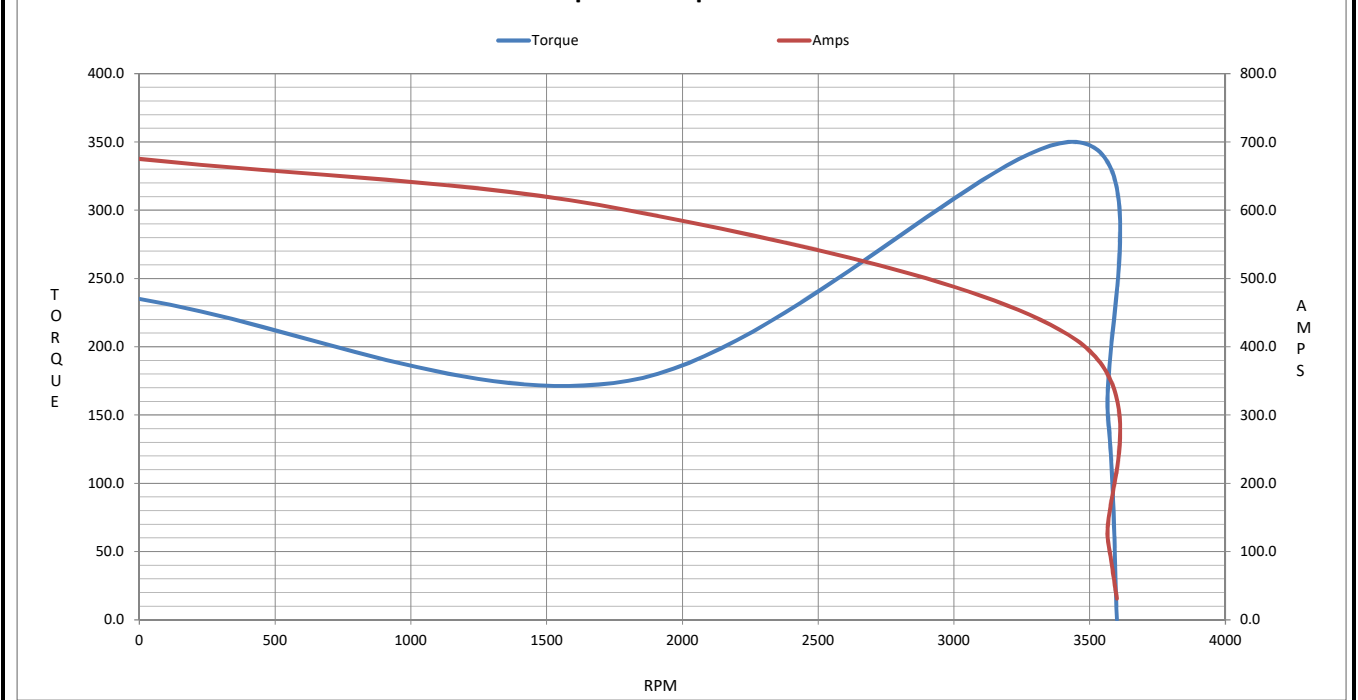
	LR	Pull-Up	BD	Rated	Idle
Speed (RPM)	0	1800	3450	3568	3600
Current (Amps)	675	600	410	114	31.0
Torque (ft-lb)	235	175	350	147	0.00

Information Block

HP	100.0			
Sync. RPM	3600			
Frame	365			
Enclosure	DP			
Construction	TDC			
Voltage	230/460#190/380 V			
Frequency	60 Hz			
Design	B			
LR Code letter	F			
Service Factor	1.15			
Temp Rise @ FL	65 °C			
Duty	CONT			
Ambient	40 °C			
Elevation	1,000 feet			
Rotor/Shaft wk ²	0.00 Lb-Ft ²			
Ref Wdg	IE3L2252111 NONE			
Sound Pressure @ 1M	999 dBA			
VFD Rating	NONE			
Outline Dwg	SS620748			
Conn. Diag	EE7308AA			
Additional Specifications:				
0				
0				
EQUIV CKT (OHMS / PHASE)				
R1	R2	X1	X2	Xm
0.0570	0.0210	0.2160	0.2980	8.4490



Speed -Torque Curve



EC Declaration of Conformity

The undersigned representing
the manufacturer:

Regal Beloit America
100 East Randolph St.
Wausau, WI 54401

and the authorized representative
established within the Community:

Marathon Electric UK
6F Thistleton Road Ind. Estate
Market Overton
Oakham, Rutland LE15 7PP UK

are committed to providing customers with products that comply with applicable regulations and international protocols to which they are subject, including the requirements of the European Parliament Directive on the Harmonization of the laws relating to electrical equipment designed for use within certain voltage limits (2014/35/EU).

Regal Beloit America declares that the following product(s), to which this declaration relates, are in conformity with the relevant sections of the EC standards listed below.

This statement supersedes any statements previously issued pertaining to the product(s) listed below and is subject to change without notice.

Model No : 365TSTDCD4025

(Model No. may contain prefix and/or suffix characters)

Catalog No : U526A

Rework No : N/A

Directives :

Low Voltage Directive 2014/35/EU

Harmonized Standards Used :

EN 60034-1: 2010 (IEC 60034-1: 2010)

EN 60034-5: 2001/A1:2007 (IEC 60034-5: 2000/A1:2006)

Authorized Representative:



Michael A. Logsdon
Vice President, Technology

Authorized Representative in the Community:



Julian Clark
Marketing Engineer

Created on 09/01/2022

CE 22