

PRODUCT INFORMATION PACKET

Model No: 365TSTDC6001

Catalog No: U784

100 HP General Purpose Motor, 3 phase, 3600 RPM, 208-230/460 V, 365TS Frame, ODP
General Purpose Motors



Regal and Marathon are trademarks of Regal Rexnord Corporation or one of its affiliated companies.
©2021 Regal Rexnord Corporation, All Rights Reserved. MC017097E



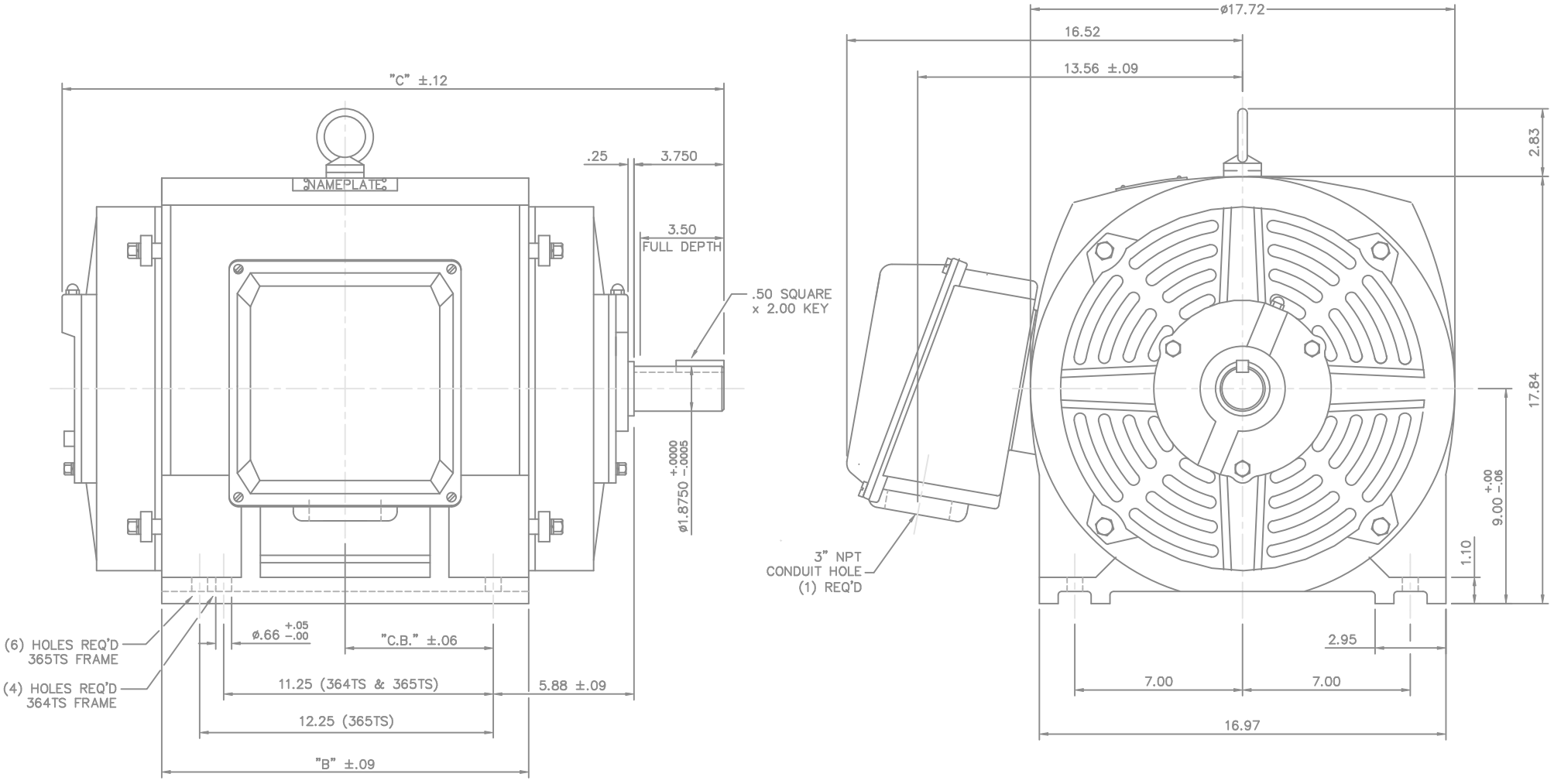
Nameplate Specifications

Output HP	100 Hp	Output KW	75.0 kW
Frequency	60 Hz	Voltage	208-230/460 V
Current	258.0-226.0/113.0 A	Speed	3565 rpm
Service Factor	1.15	Phase	3
Efficiency	94.5 %	Power Factor	85
Duty	Continuous	Insulation Class	F
Design Code	B	KVA Code	H
Frame	365TS	Enclosure	Drip Proof
Thermal Protection	Thermostats (N/C)	Ambient Temperature	40 °C
Drive End Bearing Size	NONE	Opp Drive End Bearing Size	NONE
UL	Recognized	CSA	Y
CE	Y	IP Code	12
Number of Speeds	1		

Technical Specifications

Electrical Type	Squirrel Cage Induction Run	Starting Method	Across The Line
Poles	2	Rotation	Reversible
Mounting	Rigid Base	Motor Orientation	Horizontal
Drive End Bearing	Ball	Opp Drive End Bearing	Ball
Frame Material	Cast Iron	Shaft Type	TS
Overall Length	29.06 in	Shaft Diameter	1.875 in
Shaft Extension	3.75 in	Assembly/Box Mounting	F1 ONLY
Outline Drawing	169557.60ME	Connection Drawing	004172-01ME

This is an uncontrolled document once printed or downloaded and is subject to change without notice. Date Created:10/12/2021



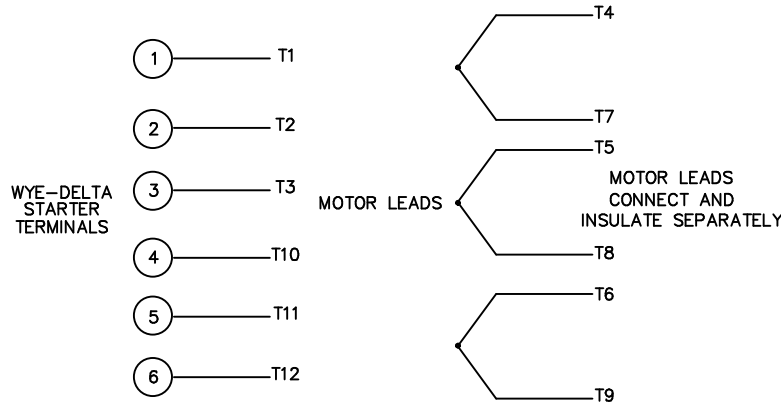
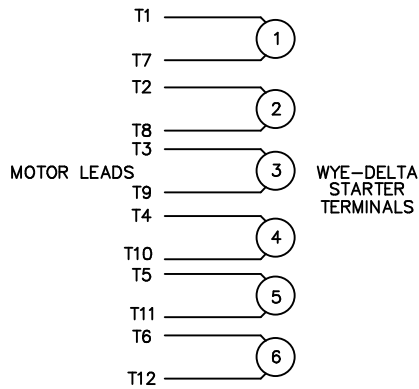
FRAME DESIGN	"B"	"C"	"C.B."
364TS	14.20	26.89	5.05
365TS	15.31	29.06	6.13

		TOLERANCES UNLESS SPECIFIED		MARATHON ELECTRIC		DRAWN CTO 04-24-2002	
		DEC.	INCHES			CHK	ML 05-20-2002
		.X	±.1			APPD	SB 05-21-2002
		.XX	±.03	TITLE OUTLINE 360TS, OPEN DRIP PROOF MEETS NEC CON-BOX VOLUME 9780 CC		SCALE	1=1
		.XXX	±.005	MAT'L CAST IRON		REF	
		.XXXX	±.0005	FINISH		PREV	
1	NEW DRAWING	CTO 05/21/02		RFP	CAD FILE 16955760ME	SIZE	DRAWING NO.
NO. REVISION		BY & DATE		CHK	ANG ±1/2"	B	169557-60ME
THIS DRAWING IN DESIGN AND DETAIL IS OUR PROPERTY AND MUST NOT BE USED EXCEPT IN CONNECTION WITH OUR WORK ALL RIGHTS OF DESIGN AND INVENTION ARE RESERVED THIS IS AN ELECTRONICALLY GENERATED DOCUMENT - DO NOT SCALE THIS PRINT				DIST			REV. 1

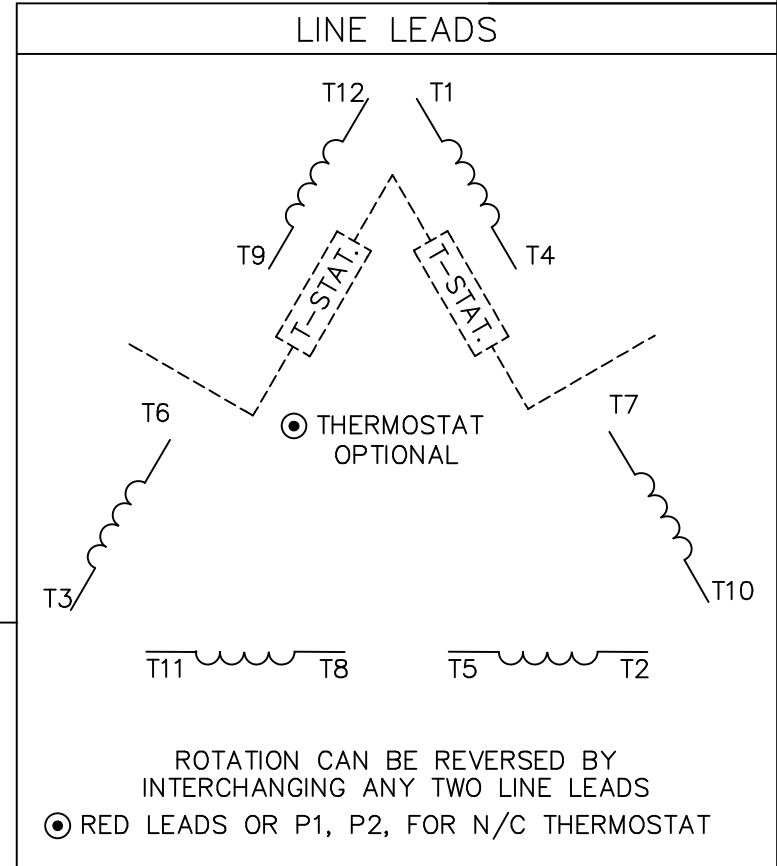
WYE - DELTA STARTING USEABLE ON 2, 4 AND 6 POLE MOTORS.

LOW VOLTAGE CONNECTION

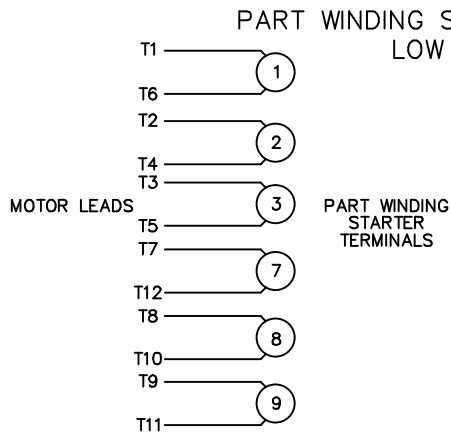
HIGH VOLTAGE CONNECTION



REFER TO THE WYE-DELTA STARTER CONNECTION INSTRUCTIONS FOR PROPER CONNECTION OF POWER LINES TO STARTER.



ROTATION CAN BE REVERSED BY INTERCHANGING ANY TWO LINE LEADS
 ● RED LEADS OR P1, P2, FOR N/C THERMOSTAT



PART WINDING START USABLE ON 4 & 6 POLE MOTORS
 LOW VOLTAGE CONNECTION ONLY

REFER TO THE PART WINDING STARTER INSTRUCTIONS FOR PROPER CONNECTION OF POWER LINES TO STARTER.

REFER TO THE CUTLER-HAMMER OR EQUIV. FOR PROPER SELECTION OF OVERLOAD HEATER COILS.

ACROSS THE LINE START & RUN

	LINE 1	LINE 2	LINE 3	JOIN & INSULATE SEPARATELY
HIGH VOLT	T1, T12	T2, T10	T3, T11	(T4, T7) (T5, T8) (T6, T9)
LOW VOLT	T1, T6 T7, T12	T2, T4 T8, T10	T3, T5 T9, T11	

				TOLERANCES UNLESS SPECIFIED			DRAWN RJW 07-19-2007	
				DEC.	INCHES		CHK ML 07-19-2007	
				.X	±.1		APPD GK 07-19-2007	
				.XX	±.02		SCALE 1=1	
				.XXX	±.005		REF MU61151	
				.XXXX	±.0005	MAT'L.	FMF	
NO.	REVISION	BY & DATE	CHK	ANG	±7'30"	FINISH	PREV	
THIS DRAWING IN DESIGN AND DETAIL IS OUR PROPERTY AND MUST NOT BE USED EXCEPT IN CONNECTION WITH OUR WORK ALL RIGHTS OF DESIGN AND INVENTION ARE RESERVED THIS IS AN ELECTRONICALLY GENERATED DOCUMENT - DO NOT SCALE THIS PRINT			RFP	07-19-2007	CAD FILE	004172-01ME	SIZE	DRAWING NO. PAGE 1 OF 1 REV.
			DIST	LB			A	004172-01ME