

PRODUCT INFORMATION PACKET

Model No: 365THFS8046

Catalog No: Y516

Blue Max® Inverter Duty Encoder Motor, 75 HP, 3 Ph, 60 Hz, 230/460 V, 1800 RPM, 365TC Frame,
TEBC-AXIAL



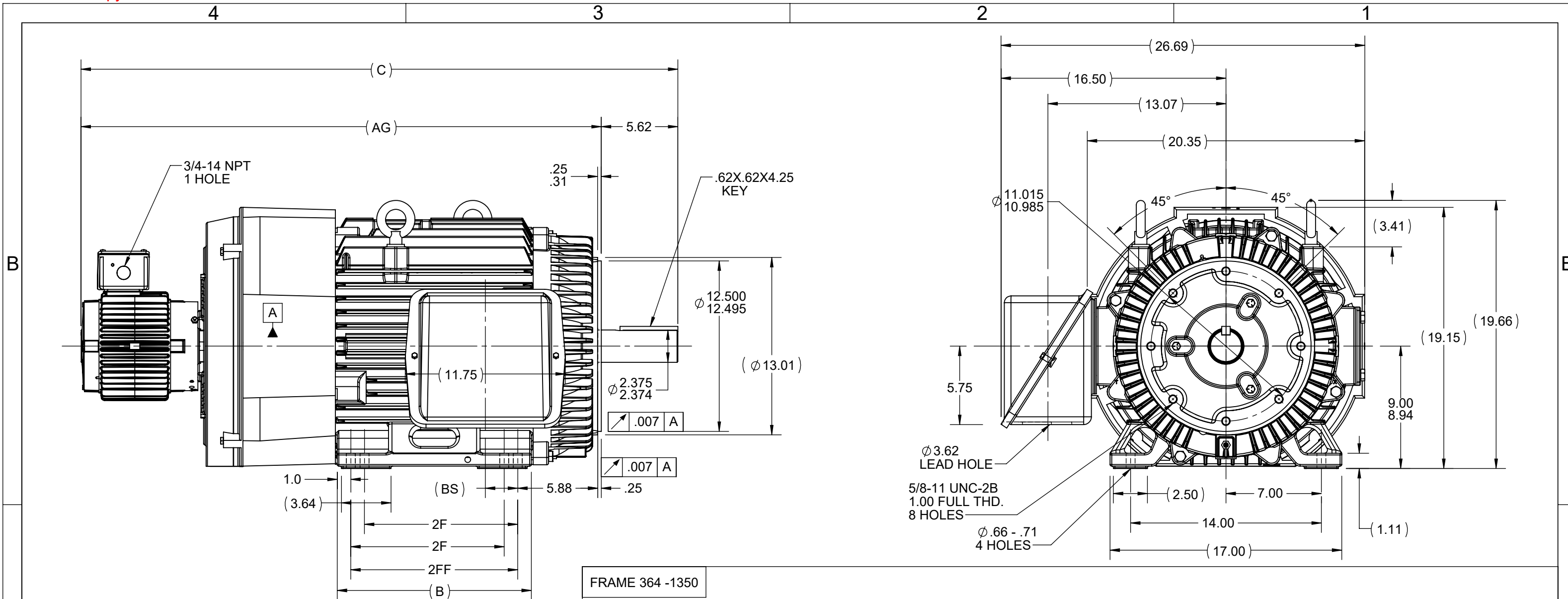
Regal and Marathon are trademarks of Regal Rexnord Corporation or one of its affiliated companies.
©2022 Regal Rexnord Corporation, All Rights Reserved. MC017097E

Nameplate Specifications

Output HP	75 Hp	Output KW	56.0 kW
Frequency	60 Hz	Voltage	230/460 V
Current	180.0/90.0 A	Speed	1780 rpm
Service Factor	1	Phase	3
Efficiency	93 %	Power Factor	84
Duty	Continuous	Insulation Class	H
Design Code	INV	KVA Code	H
Frame	365TC	Enclosure	Totally Enclosed Blower cooled - Axial
Thermal Protection	Thermostat	Ambient Temperature	40 °C
Drive End Bearing Size	6314	Opp Drive End Bearing Size	6312
UL	Recognized	CSA	Y
CE	Y	IP Code	43
Number of Speeds	1		

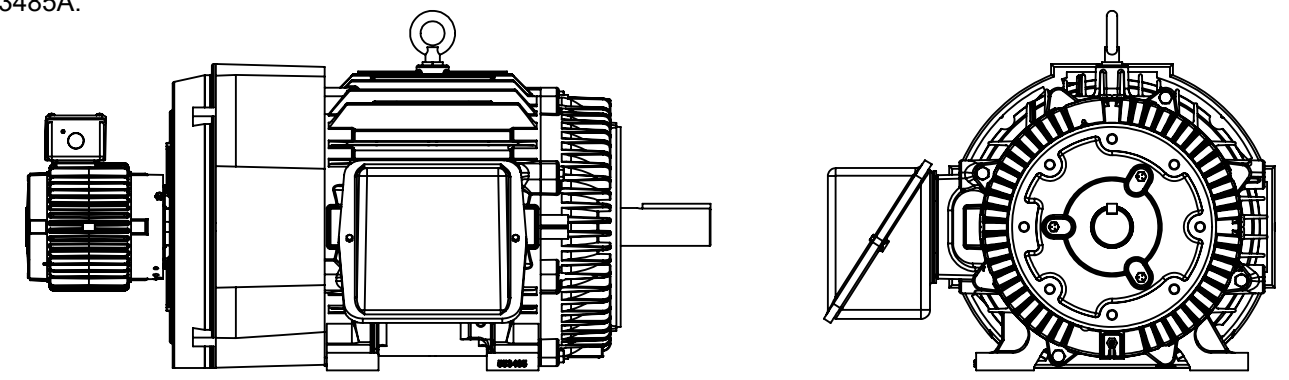
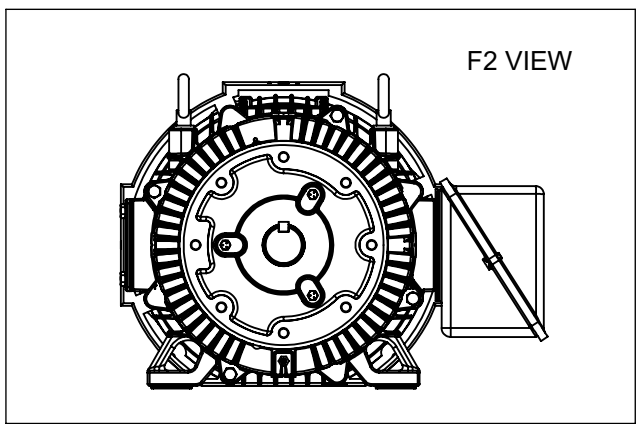
Technical Specifications

Electrical Type	Squirrel Cage Inverter Duty	Starting Method	Inverter Only
Poles	4	Rotation	Reversible
Resistance Main	.075 Ohms	Mounting	Rigid Base
Motor Orientation	Horizontal	Drive End Bearing	Ball
Opp Drive End Bearing	Ball	Frame Material	Cast Iron
Shaft Type	T	Overall Length	43.67 in
Frame Length	14.50 in	Shaft Diameter	2.375 in
Shaft Extension	5.62 in	Assembly/Box Mounting	F1/F2 CAPABLE
Inverter Load	CONSTANT 2000:1		
Outline Drawing	B-SS518551-1450	Connection Drawing	A-EE7308T



FRAME 364 -1350

NOTE:
 1. ALTERNATE FRAME DRAWING.
 2. MODELS USING ALTERNATE FRAME 553485A.



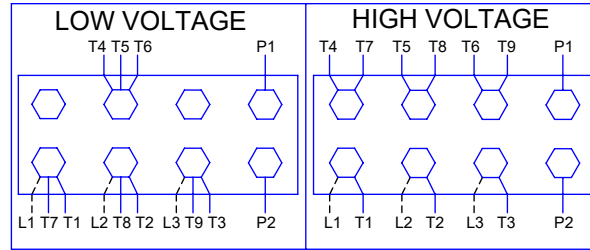
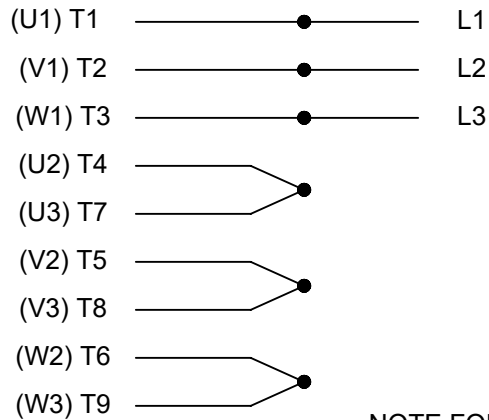
NOTES :
 1. BOX CAN BE ROTATED IN 90° STEPS.

DASH	FRAME	C	AG	B	2F	2FF	BS
1350	364TC	42.79	37.17	13.24	11.25	-	5.625
1450	365TC	43.79	38.17	14.24	11.25	12.25	2.38

DRAWING REVISION D	REVISION BY MJ	REV DATE/© DATE 06/22/2022	TOLERANCES (EXCEPT AS NOTED): DEC. INCH mm ANGLE .X ±0.1 [±3] ±7° 30" .XX ±0.03 [±0.8] .XXX ±0.005 [±0.13] .XXXX ±0.0005 [±0.013] REMOVE BURRS & BREAK SHARP EDGES: .003/.015 [.08/.38] X 45° CORNER FILLETS: R.02 [.5] MACHINED SURFACES: 200 INCH/mm 5.1 mm DIMENSIONS IN [BRACKETS] ARE FOR REFERENCE ONLY
REQUEST NUMBER CR-0007552	APPROVED BY CHRIS	DATE 06/22/2022	
REQUEST NUMBER DESCRIPTION OUTLINE DRAWING IS UPDATED WITH NEW FRAME. <small>COPYRIGHT (PER REVISION DATE) REGAL BELOIT AMERICA, INC. ALL RIGHTS RESERVED. PROPRIETARY AND CONFIDENTIAL INFORMATION - THIS DOCUMENT IS THE PROPERTY OF REGAL BELOIT AMERICA, INC. ("OWNER") AND CONTAINS OWNER'S PROPRIETARY INFORMATION. ANY PERSON, CORPORATION OR OTHER FIRM RECEIVING IT IS DEEMED, BY RECEIVING IT, TO AGREE THAT IT, AND/OR ANY PART OF IT, SHALL NOT BE DISCLOSED TO ANY PERSON, CORPORATION OR OTHER ENTITY, DUPLICATED, AND/OR USED, EXCEPT AS EXPRESSLY APPROVED IN WRITING IN ADVANCE BY OWNER. THIS DOCUMENT SHALL BE RETURNED TO OWNER UPON REQUEST. IT MAY BE SUBJECT TO CERTAIN RESTRICTIONS UNDER APPLICABLE EXPORT CONTROL LAWS AND REGULATIONS.</small>			

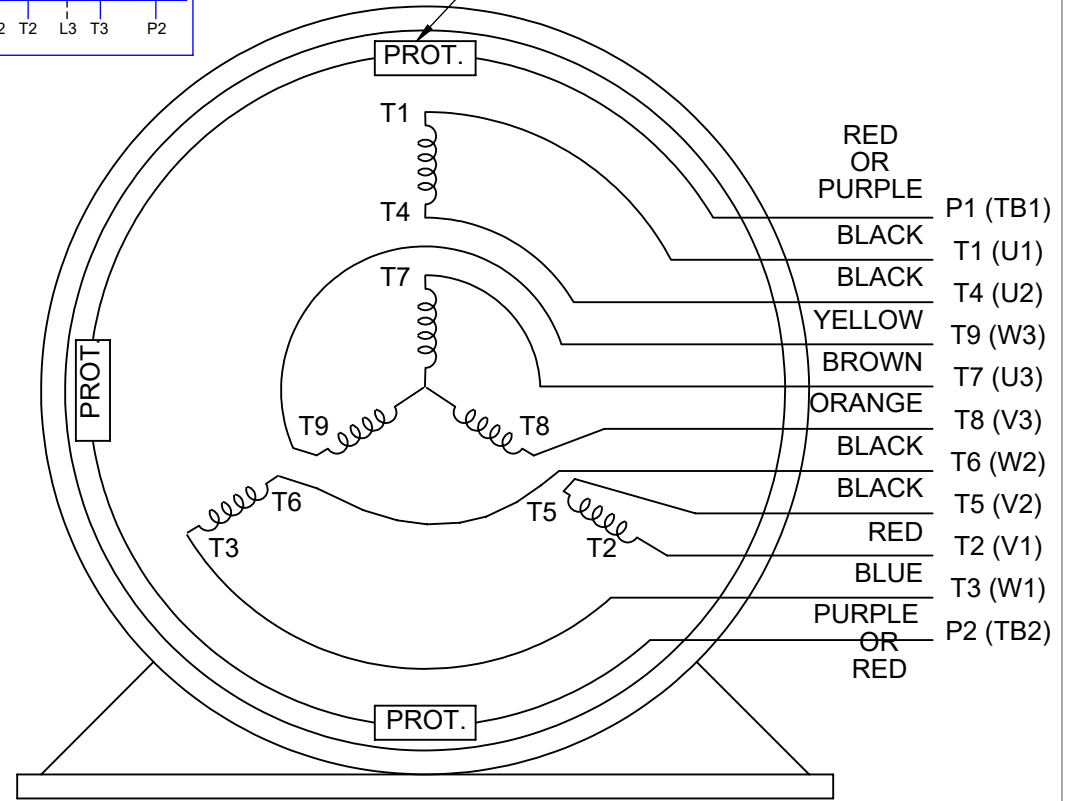
DRAWN BY TJB	 Regal Beloit America, Inc.	DESCRIPTION OUTLINE 360TC FR. - TEBC	
DATE 06/21/2001			
APPROVED BY GK			
DATE 06/27/2001			
REFERENCE	MATERIAL	PROCESS/FINISH	
THIRD ANGLE PROJECTION	SIZE B	DRAWING NUMBER SS518551	SHEET 1 OF 1

HIGH VOLTAGE



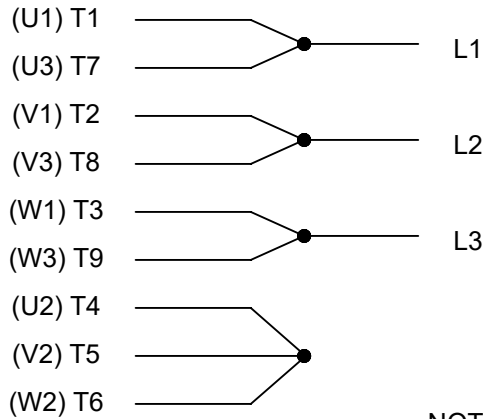
**THREE PHASE
DUAL VOLTAGE MOTOR**

THERMO-PROTECTORS
CONNECTED IN SERIES



NOTE FOR FACTORY USE ONLY:
TO SURGE TEST FOR COMMON CONNECT:
HIGH VOLT: CONNECT P1 TO T1
THEN P2 TO L1
LOW VOLT: CONNECT P1 TO T1 & T7,
THEN P2 TO L1

LOW VOLTAGE



VIEW OF TERMINAL END

NOTE: LEAD'S COLOR CAN BE YELLOW OR WHITE FOR MT2 PLANT

DRAWING REVISION T	REVISION BY ZR	DATE 01-14-2019		DRAWN BY SMC	Regal Beloit America, Inc.
ECO ECO-0159915	APPROVED BY DR	DATE 01-15-2019		DATE 05-13-1992	
ECO DESCRIPTION ADDED TERMINAL CONNECTION DIAGRAM				APPROVED BY TB	DESCRIPTION CONN DIAGRAM-INTERNAL 3 PHASE - DUAL VOLTAGE MOTOR
<small>COPYRIGHT REGAL BELOIT AMERICA, INC. ALL RIGHTS RESERVED. PROPRIETARY AND CONFIDENTIAL INFORMATION - THIS DOCUMENT IS THE PROPERTY OF REGAL BELOIT AMERICA, INC. ("OWNER") AND CONTAINS OWNER'S PROPRIETARY INFORMATION. ANY PERSON, CORPORATION OR OTHER FIRM RECEIVING IT IS DEEMED, BY RECEIVING IT, TO AGREE THAT IT, AND/OR ANY PART OF IT, SHALL NOT BE DISCLOSED TO ANY PERSON, CORPORATION OR OTHER ENTITY, DUPLICATED, AND/OR USED, EXCEPT AS EXPRESSLY APPROVED IN WRITING IN ADVANCE BY OWNER. THIS DOCUMENT SHALL BE RETURNED TO OWNER UPON REQUEST. IT MAY BE SUBJECT TO CERTAIN RESTRICTIONS UNDER APPLICABLE EXPORT CONTROL LAWS AND REGULATIONS.</small>				DATE 05-13-1992	MATERIAL
			REFERENCE EE7308/EE7300	SIZE A	DRAWING NUMBER EE7308T

CERTIFICATION DATA SHEET

Model#: 365THFS8046 DT WINDING#: T3654146 R1 1
 CONN. DIAGRAM: A-EE7308T ASSEMBLY: F1/F2 CAPABLE
 OUTLINE: B-SS518551-1450

TYPICAL MOTOR PERFORMANCE DATA

HP	KW	SYNC. RPM	F.L. RPM	FRAME	ENCLOSURE	KVA CODE	DESIGN				
75	56	1800	1780	365TC	TEBC-AXIAL	H	INV				
PH	Hz	VOLTS	FL AMPS	START TYPE	DUTY	INSL	S.F	AMB°C	ELEVATION		
3	60	230/460	180/90	INVERTER ONLY	CONTINUOUS	H4	1.0	40	3300		
FULL LOAD EFF: 93		3/4 LOAD EFF: 93		1/2 LOAD EFF: 91		GTD. EFF		ELEC. TYPE		NO LOAD AMPS	
FULL LOAD PF: 84		3/4 LOAD PF: 80.5		1/2 LOAD PF: 72		91.7		SQ CAGE INV DUTY		59 / 29.5	
F.L. TORQUE		LOCKED ROTOR AMPS		L.R. TORQUE		B.D. TORQUE		F.L. RISE°C			
221 LB-FT		1290 / 645		505 LB-FT 229		645 LB-FT 292		65			
SOUND PRESSURE @ 3 FT.	SOUND POWER	ROTOR WK^2	MAX. WK^2	SAFE STALL TIME	STARTS /HOUR	APPROX. MOTOR WGT					
85 dBA	95 dBA	16 LB-FT^2	- LB-FT^2	- SEC.	-	1026 LBS.					

EQUIVALENT WYE CKT.PARAMETERS (OHMS PER PHASE)

R1	R2	X1	X2	XM
0.054432	0.0378	0.29862	0.41958	8.2026
RM	ZREF	XR	TD	TD0
419.58	3.78	6	0.0278	0.606

*** SUPPLEMENTAL INFORMATION ***

DE BRACKET TYPE	ODE BRACKET TYPE	MOUNT TYPE	ORIENTATION	SEVERE DUTY	HAZARDOUS LOCATION	DRIP COVER	SCREENS	PAINT
C-FACE	ENCODER	RIGID	HORIZONTAL	FALSE	NONE	FALSE	NONE	BLUE (ENAMEL)

BEARINGS		GREASE	SHAFT TYPE	SPECIAL DE	SPECIAL ODE	SHAFT MATERIAL	FRAME MATERIAL
DE	OPE	POLYREX EM	T	NONE	NONE	1045 HOT ROLLED (C-204)	CAST IRON
BALL	BALL						
6314	6312						

THERMO-PROTECTORS				THERMISTORS	CONTROL	SPACE /n HEATERS
THERMOSTATS	PROTECTORS	WDG RTDs	BRG RTDs	NONE	FALSE	NONE VOLTS
TSTATS (N/C)	NOT	NONE	NONE			

If Inverter equals NONE, contact factory for further information

INVERTER TORQUE: CONSTANT 2000:1
INV. HP SPEED RANGE: 1.5 X BASE SPEED
ENCODER: PROVISIONS ONLY
NONE NONE
NONE NONE PPR
BRAKE: NONE NONE
NONE P/N NONE

*
N
O
T
E
S
*

NONE	NONE		
NONE FT-LB	NONE V	NONE Hz	

DATE: 06/21/2017 08:43:00 AM
FORM 3531 REV.3 02/07/99
** Subject to change without notice.

Data Sheet

Date: 15-06-2017
 Customer: _____
 Attention: _____
 Submitted by: FAREEDA DUDEKULA



365THFS8046

Submittal

Data @ 460 V

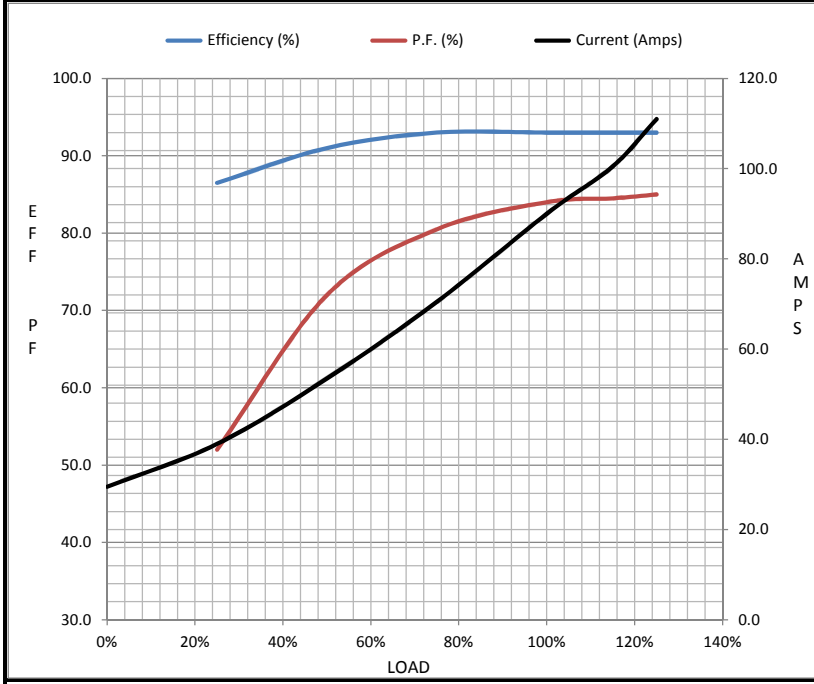
Motor Load Data

Load	0%	25%	50%	75%	100%	115%	125%	LR
Current (Amps)	29.5	39.0	53.5	70.5	90.0	101	111	645
Torque (ft-lb)	0.00	55.0	110	166	221	250	278	505
RPM	1800	1796	1792	1786	1780	1,778	1775	0
Efficiency (%)		86.5	91.0	93.0	93.0	93.0	93.0	
P.F. (%)	9.0	52.0	72.0	80.5	84.0	84.5	85.0	37.0

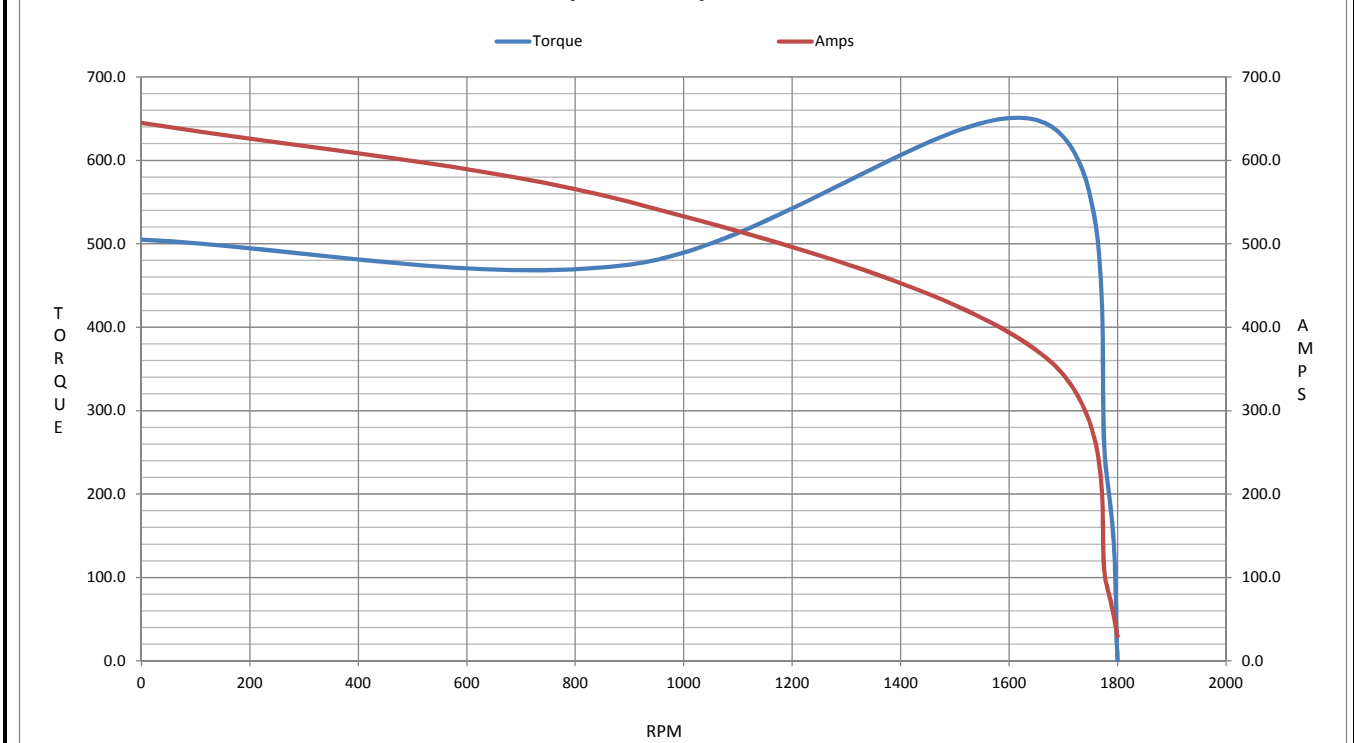
Motor Speed Data

	LR	Pull-Up	BD	Rated	Idle
Speed (RPM)	0	900	1665	1780	1800
Current (Amps)	645	550	365	90.0	29.5
Torque (ft-lb)	505	475	645	221	0.00

Information Block				
HP	75.0			
Sync. RPM	1800			
Frame	365			
Enclosure	TEBC			
Construction	TBS			
Voltage	230/460 V			
Frequency	60 Hz			
Design	A			
LR Code letter	H			
Service Factor	1.15			
Temp Rise @ FL	65 °C			
Duty	CONT			
Ambient	40 °C			
Elevation	1,000 feet			
Rotor/Shaft wk ²	16.0 Lb-Ft ²			
Ref Wdg	T3654146 R1			
Sound Pressure @ 1M	85 dBA			
VFD Rating	CONSTANT 2000:1			
Outline Dwg	B-SS518551-1450			
Conn. Diag	A-EE7308T			
Additional Specifications:				
0				
365THFS8036				
EQUIV CKT (OHMS / PHASE)				
R1	R2	X1	X2	Xm
0.0540	0.0380	0.2990	0.4200	8.2030



Speed - Torque Curve



EC Declaration of Conformity

The undersigned representing
the manufacturer:

Regal Beloit America
100 East Randolph St.
Wausau, WI 54401

and the authorized representative
established within the Community:

Marathon Electric UK
6F Thistleton Road Ind. Estate
Market Overton
Oakham, Rutland LE15 7PP UK

are committed to providing customers with products that comply with applicable regulations and international protocols to which they are subject, including the requirements of the European Parliament Directive on the Harmonization of the laws relating to electrical equipment designed for use within certain voltage limits (2014/35/EU).

Regal Beloit America declares that the following product(s), to which this declaration relates, are in conformity with the relevant sections of the EC standards listed below.

This statement supersedes any statements previously issued pertaining to the product(s) listed below and is subject to change without notice.

Model No : 365THFS8046

(Model No. may contain prefix and/or suffix characters)

Catalog No : Y516

Rework No : N/A

Directives :

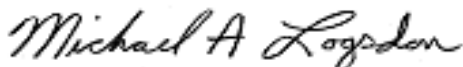
Low Voltage Directive 2014/35/EU

Harmonized Standards Used :

EN 60034-1: 2010 (IEC 60034-1: 2010)

EN 60034-5: 2001/A1:2007 (IEC 60034-5: 2000/A1:2006)

Authorized Representative:



Michael A. Logsdon
Vice President, Technology

Authorized Representative in the Community:



Julian Clark
Marketing Engineer

Created on 09/01/2022

CE 22