

# PRODUCT INFORMATION PACKET

Model No: 364VTDC6026

Catalog No: V008A

Vertical Pump Motor, 60 & 50 HP, 3 Ph, 60 & 50 Hz, 230/460 & 190/380 V, 1800 & 1500 RPM,  
364TPV Frame, WPI



Regal and Marathon are trademarks of Regal Rexnord Corporation or one of its affiliated companies.

©2023 Regal Rexnord Corporation, All Rights Reserved. MC017097E

### Nameplate Specifications

Phase	<b>3</b>	Output HP	<b>60 &amp; 50 Hp</b>
Output KW	<b>45.0 &amp; 37.0 kW</b>	Voltage	<b>230/460 &amp; 190/380 V</b>
Speed	<b>1780 &amp; 1480 rpm</b>	Service Factor	<b>1.15 &amp; 1.15</b>
Frame	<b>364TPV</b>	Enclosure	<b>Weather Protected 1</b>
Thermal Protection	<b>No Protection</b>	Efficiency	<b>95 &amp; 94.1 %</b>
Ambient Temperature	<b>40 °C</b>	Frequency	<b>60 &amp; 50 Hz</b>
Current	<b>150/75 &amp; 154/77 A</b>	Power Factor	<b>79</b>
Duty	<b>Continuous</b>	Insulation Class	<b>F</b>
Design Code	<b>B</b>	KVA Code	<b>G</b>
Drive End Bearing Size	<b>6313</b>	Opp Drive End Bearing Size	<b>7219B</b>
UL	<b>Recognized</b>	CSA	<b>Y</b>
CE	<b>Y</b>	IP Code	<b>23</b>
Number of Speeds	<b>1</b>		

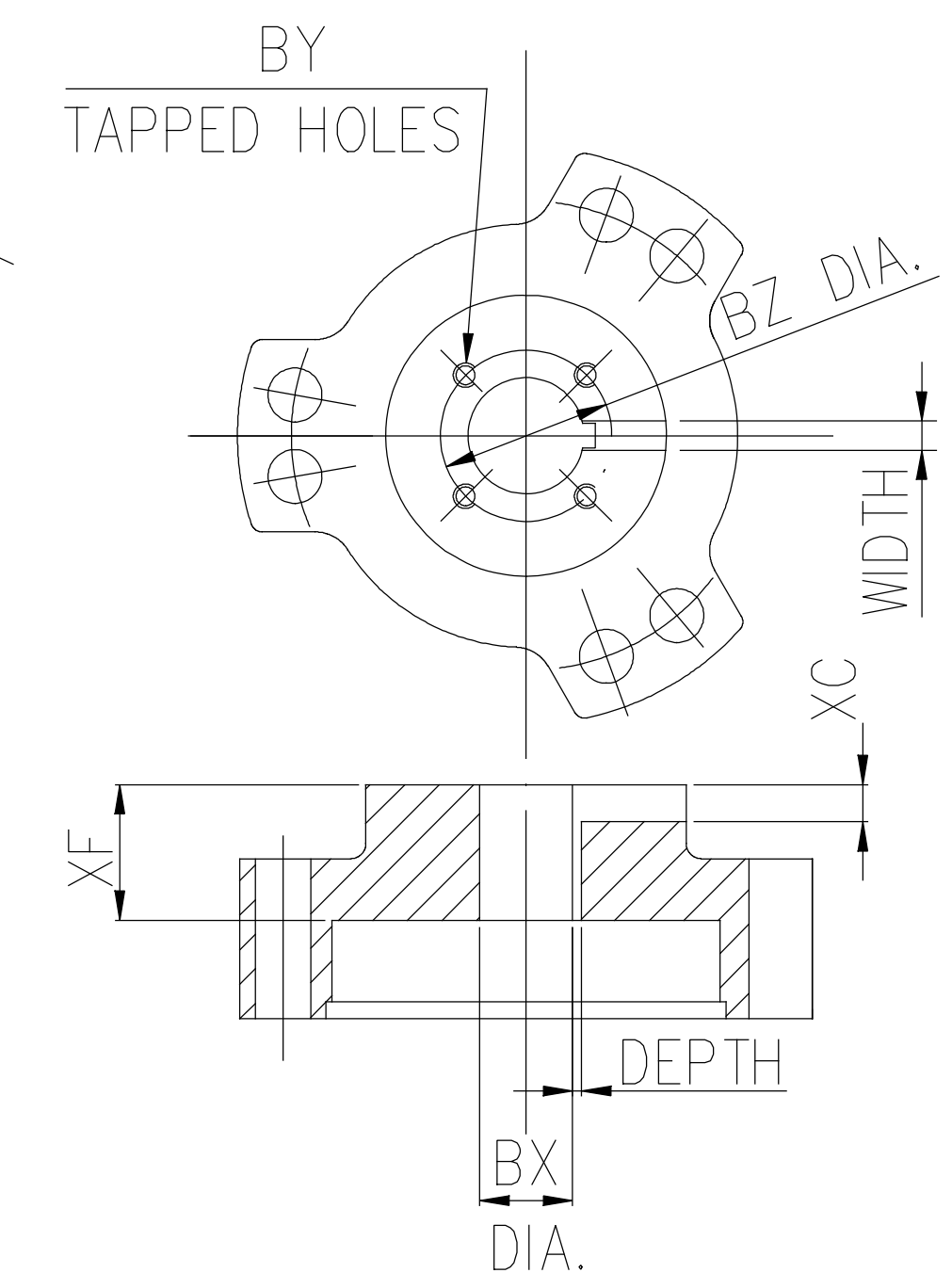
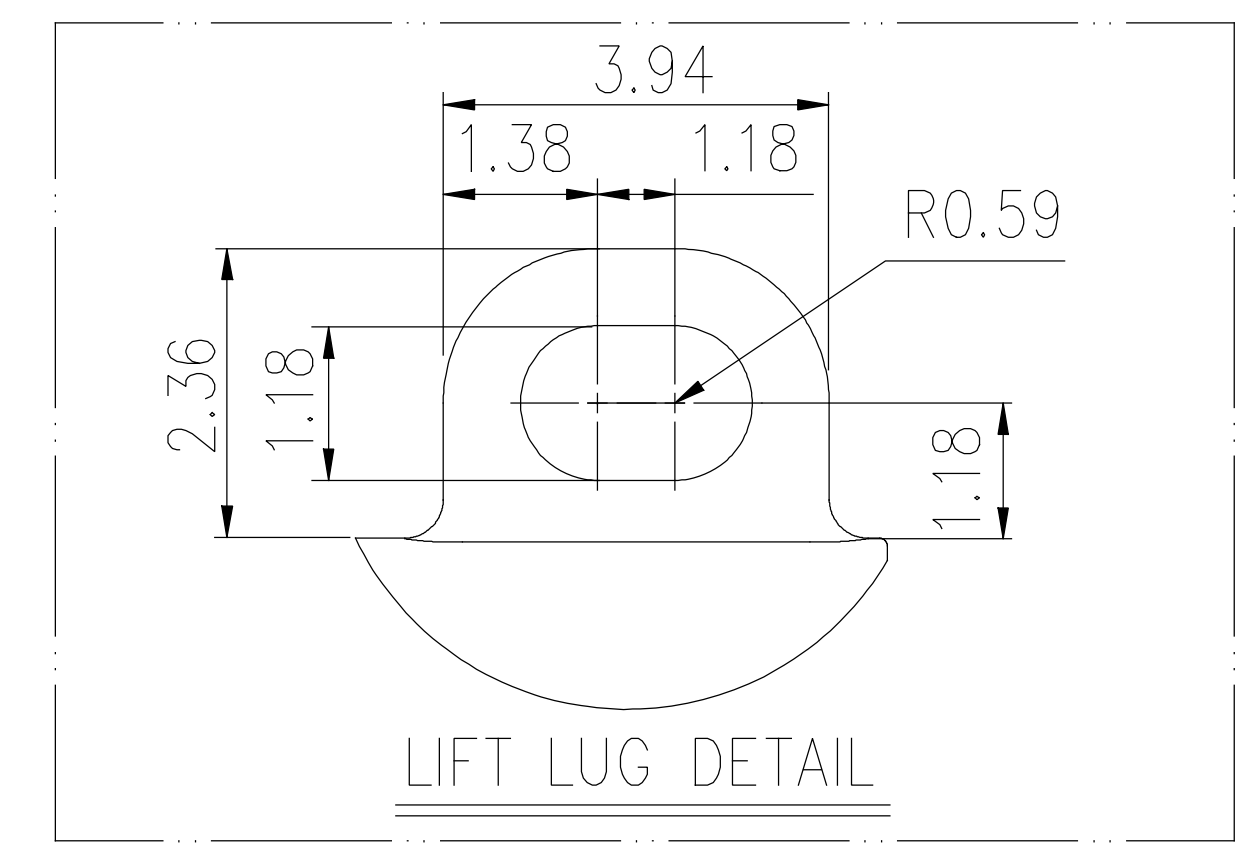
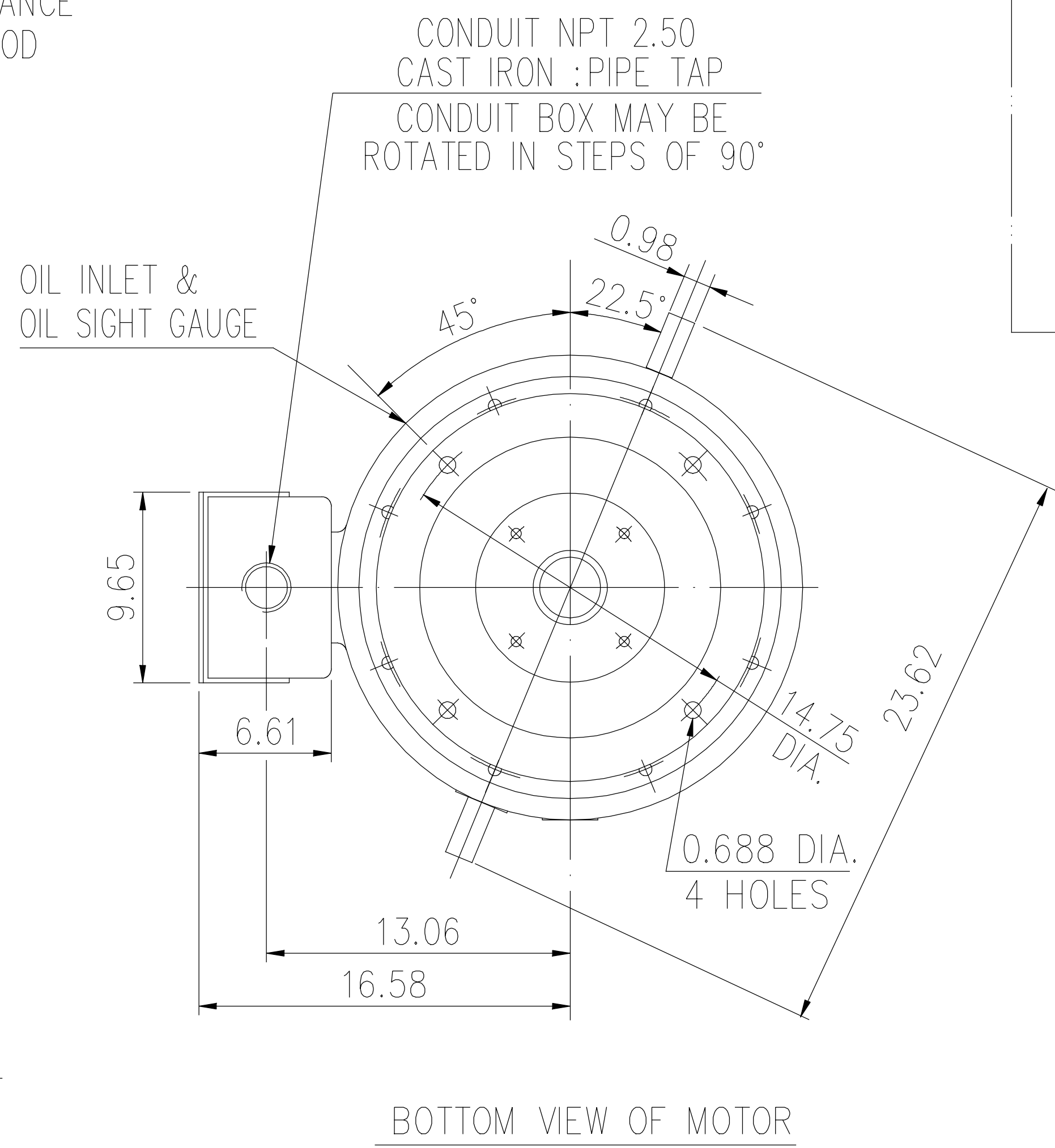
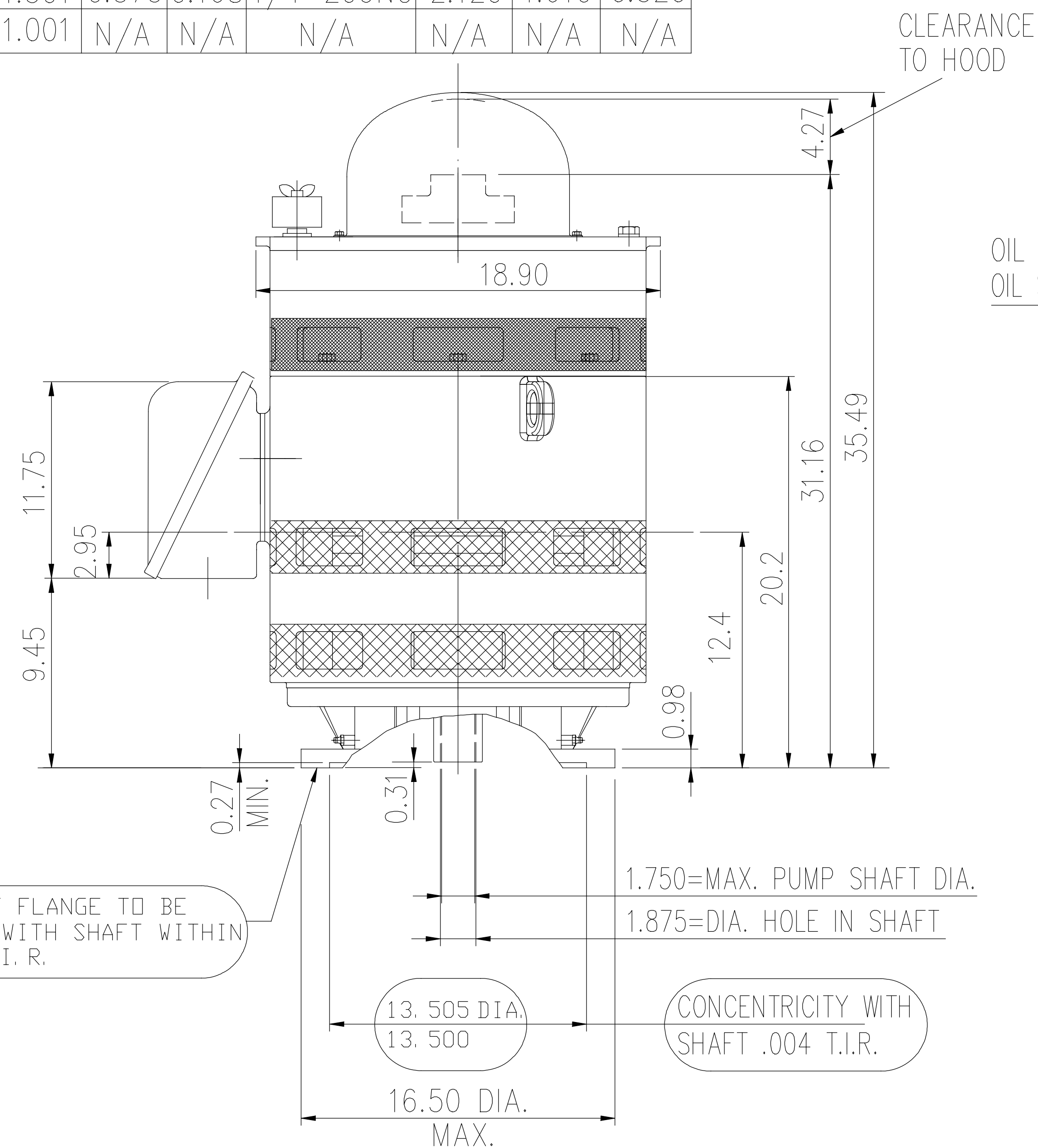
### Technical Specifications

Electrical Type	<b>Squirrel Cage Inverter Rated</b>	Starting Method	<b>Part Wdg Start Low Volt Only &amp; Wye Start Delta Run Or Inverter</b>
Poles	<b>4</b>	Rotation	<b>Counterclockwise Rotation, Reversible without Non-Reversible Ratchet</b>
Mounting	<b>Round</b>	Motor Orientation	<b>Shaft Down</b>
Drive End Bearing	<b>Ball</b>	Opp Drive End Bearing	<b>Single Angular Contact</b>
Frame Material	<b>Cast Iron</b>	Shaft Type	<b>TP</b>
Overall Length	<b>35.49 in</b>	Shaft Diameter	<b>1.875 in</b>
Shaft Extension	<b>0.31 in</b>	Assembly/Box Mounting	<b>F1/F2 CAPABLE</b>
Inverter Load	<b>VARIABLE 3:1</b>		
Connection Drawing	<b>EE7308DX</b>	Outline Drawing	<b>SS620841</b>



SS620841

COUPLING	BX DIA.	KEYWAY		BY	BZ	XF	XC
		WIDE	DEEP				
	1.001	0.250	0.140	10-32UNF	1.375	1.610	0.320
	1.188	0.250	0.140	1/4-20UNC	1.750	1.610	0.320
	1.251	0.250	0.140	1/4-20UNC	1.750	1.610	0.320
	1.251	0.375	0.164	1/4-20UNC	1.750	1.610	0.320
	1.438	0.375	0.167	1/4-20UNC	2.120	1.610	0.320
	1.501	0.375	0.168	1/4-20UNC	2.120	1.610	0.320
	1.001	N/A	N/A	N/A	N/A	N/A	N/A



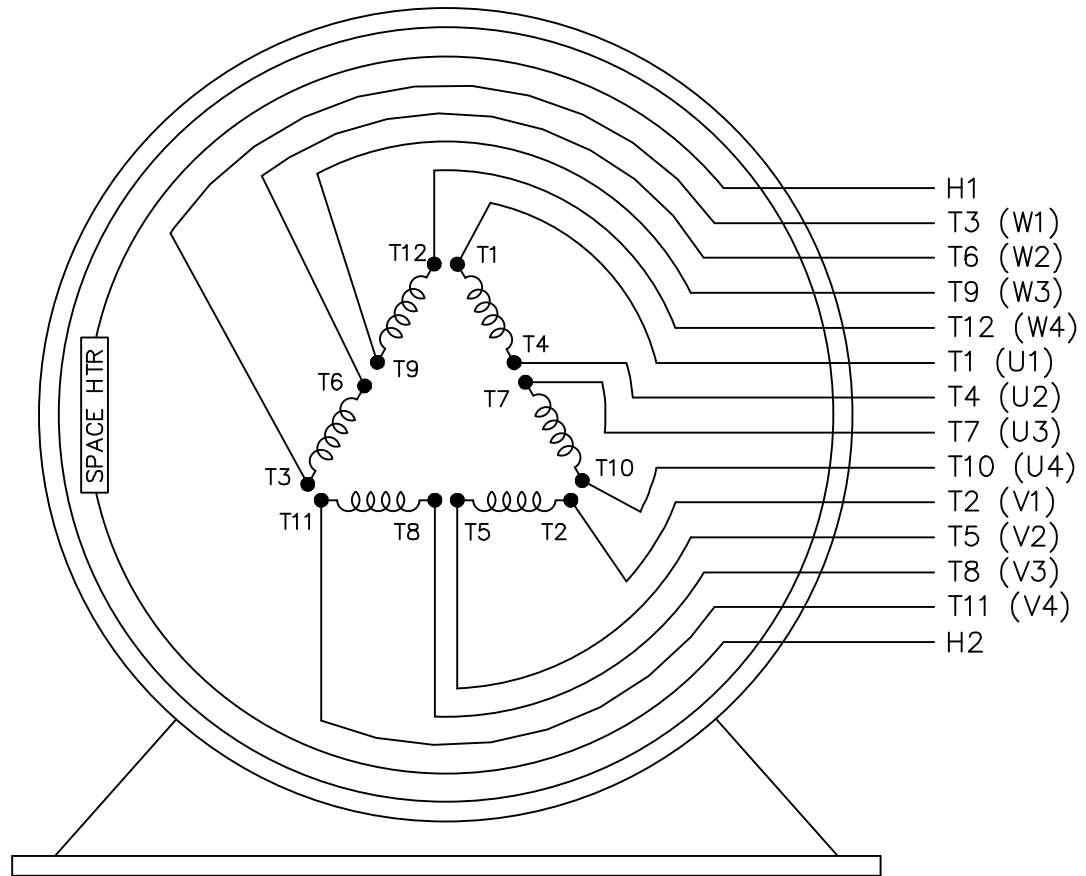
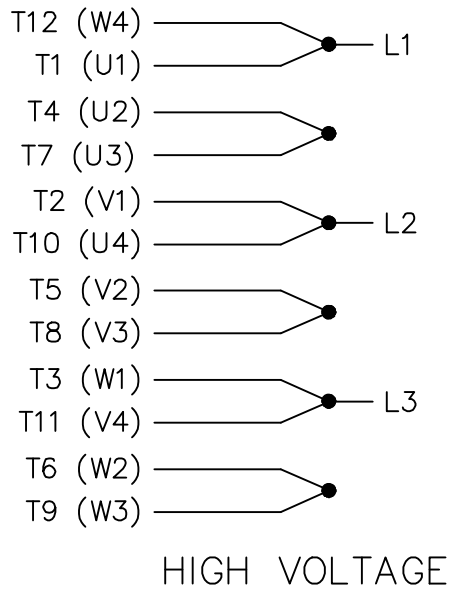
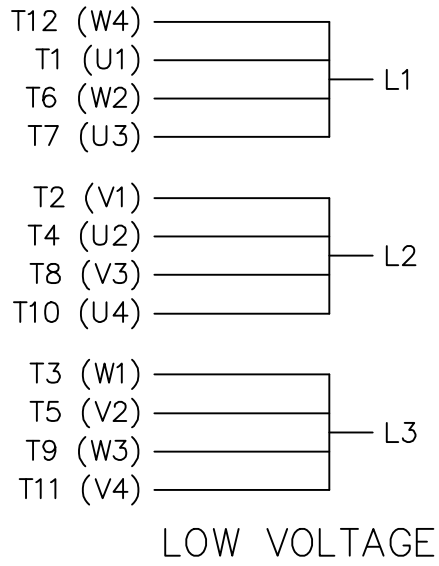
FACE OF FLANGE TO BE SQUARE WITH SHAFT WITHIN .007 T. I. R.

CONCENTRICITY WITH SHAFT .004 T.I.R.

- (1) DIMENSIONS ARE IN INCHES.
- (2) DRIVE END BEARING 6313 OPPOSITE DRIVE END BEARING 7219B
- (3) APPROXIMATE WEIGHT = 1085 LBS

(4) END OF LINE TESTS - SPECIFIC TO EACH RATING  
 \*NO LOAD AMPS @ FULL VOLTAGE  
 \*NO LOAD WATTS @ FULL VOLTAGE  
 \*VIBRATION MEETS MG-1 STANDARD  
 BALANCE 0.15 IN/S 3.8 MM/S

				TOLERANCES UNLESS SPECIFIED		REGAL REGAL-BELOIT CORPORATION	DRAWN	
				DEC.	INCHES		CHK	APPD
				.X	±.1	TITLE OUTLINE 364/365TP16 FRAME		SCALE
B	UPDATED PER MARK-UPS ECO-0151417	WGJ 9-11-2018	AL	.XXX	±.005		REF	
A	RELEASED FOR PRODUCTION ECO-0125213	WGJ 6-13-2017	AL	.XXXX	±.0005		FMF	
NO.	REVISION	BY & DATE	CHK	ANG	±7'30"	FINISH	PREV	
THIS DRAWING IN DESIGN AND DETAIL IS OUR PROPERTY AND MUST NOT BE USED EXCEPT IN CONNECTION WITH OUR WORK ALL RIGHTS OF DESIGN AND INVENTION ARE RESERVED THIS IS AN ELECTRONICALLY GENERATED DOCUMENT - DO NOT SCALE THIS PRINT				RFP	CAD FILE	SIZE	DRAWING NO.	REV.
				DIST		B	SS620841	B



VIEW OF TERMINAL END

				TOLERANCES UNLESS SPECIFIED		MARATHON ELECTRIC	DRAWN KL 02-05-1999		
				DEC.	INCHES		CHK DJK 02-05-1999		
				.X	± -	TITLE CONNECTION DIAGRAM 12 LEADS - 3 PHASE - 2/1 DELTA	APPD DJK 02-05-1999	SCALE 1=1	
2	ADDED IEC MARKINGS	MU110339	MSG 10-15-2012	.XXX	± -		REF		
1	NEW DRAWING	MU23624	KL 02-05-1999	DJK .XXXX	± -	MAT'L.	FMF MU23624		
NO.	REVISION	BY & DATE	CHK	ANG	± -	FINISH	PREV		
			RFP	02-05-1999		CAD FILE EE7308DX		SIZE A	
THIS DRAWING IN DESIGN AND DETAIL IS OUR PROPERTY AND MUST NOT BE USED EXCEPT IN CONNECTION WITH OUR WORK ALL RIGHTS OF DESIGN AND INVENTION ARE RESERVED THIS IS AN ELECTRONICALLY GENERATED DOCUMENT - DO NOT SCALE THIS PRINT							DIST	DRAWING NO. EE7308DX	PAGE OF 2



**P.O. BOX 8003  
WAUSAU, WI 54401-8003  
PH. 715-675-3311**

**CERTIFICATION DATA SHEET**

**CUSTOMER:**  
**ORDER #:**  
**CONN. DIAGRAM:** EE7308DX  
**OUTLINE:** SS620841  
**WINDING #:** TPE3644001 1

**CUSTOMER PO#:**  
**MODEL #:** 364VTDC6026 AA  
**CUSTOMER PART #:**  
**MOUNTING:** F1/F2 CAPABLE

**TYPICAL MOTOR PERFORMANCE DATA**

HP	KW	SYNC. RPM	F.L. RPM	FRAME	ENCLOSURE	KVA CODE	DESIGN
60&50	45.0&37.0	1800	1780&1480	364TPV	WPI	G	B

PH	Hz	VOLTS	AMPS	START TYPE	DUTY	INSL	S.F.	AMB°C
3	60/50	230/460&190/380	150/75&154/77	PWS (LV ONLY) & YDRUN OR INV	CONTINUOUS	F	1.15/1.15	40

FULL LOAD EFF:	95&94.1	3/4 LOAD EFF:	95	1/2 LOAD EFF:	94.5	GTD. EFF		ELEC. TYPE	
FULL LOAD PF:	79&78	3/4 LOAD PF:	75	1/2 LOAD PF:	64.5	94.5		SQ CAGE INV RATED	

F.L. TORQUE	LOCKED ROTOR AMPS	L.R. TORQUE	B.D. TORQUE	F.L. RISE°C
176 LB-FT	900 / 450	338 LB-FT 192 %	397 LB-FT 225 %	35

SOUND PRESSURE @ 3 FT.	SOUND POWER	ROTOR WK^2	MAX. WK^2	SAFE STALL TIME	STARTS / HOUR	APPROX. MOTOR WGT
74 dBA	84 dBA	12.7 LB-FT^2	621 LB-FT^2	12 SEC.	2	1055 LBS.

**\*\*\* SUPPLEMENTAL INFORMATION \*\*\***

DE BRACKET TYPE	ODE BRACKET TYPE	MOUNT TYPE	ORIENTATION	SEVERE DUTY	HAZARDOUS LOCATION	DRIP COVER	SCREENS	PAINT
P-BASE-16	STANDARD	ROUND	SHAFT DOWN	FALSE	NONE	TRUE	RODENT	BLUE (ENAMEL)

BEARINGS		GREASE	SHAFT TYPE	SPECIAL DE	SPECIAL ODE	SHAFT MATERIAL	FRAME MATERIAL
DE	ODE						
BALL	SINGLE ANGULAR CONTACT	POLYREX/ISOVG32	TP	NONE	NONE	1045 HOT ROLLED (C-204)	CAST IRON
6313	7219B						

THERMO-PROTECTORS				THERMISTORS	CONTROL	SPACE HEATERS
THERMOSTATS	PROTECTORS	WDG RTDs	BRG RTDs			
NONE	NOT	NONE	NONE	NONE	FALSE	110 VOLTS

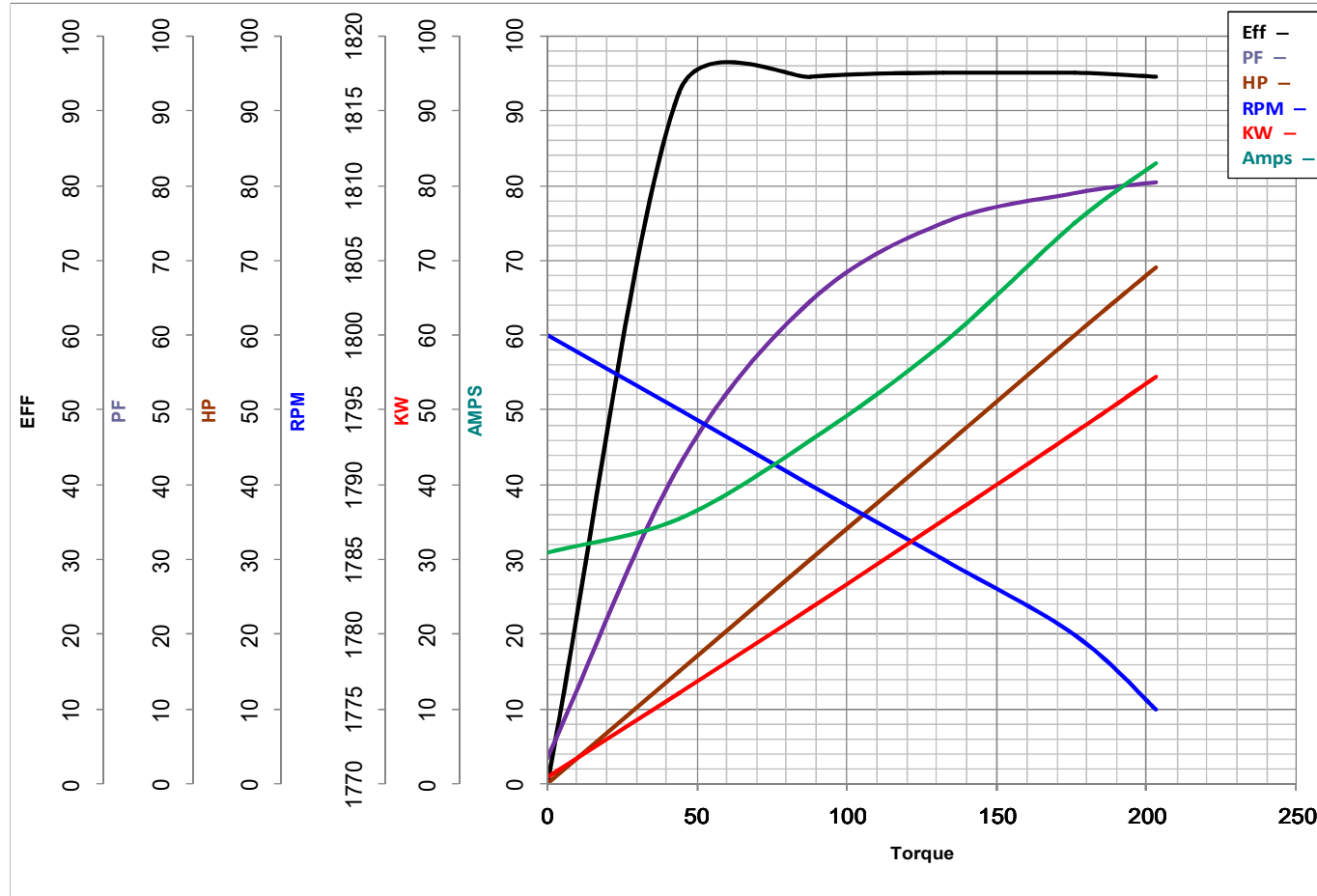
* N O T E S  *	<b>INVERTER TORQUE:</b> VARIABLE 3:1 <b>INV. HP SPEED RANGE:</b> NONE
	<b>ENCODER:</b> NONE NONE NONE NONE NONE PPR
	<b>BRAKE:</b> NONE NONE NONE P/N NONE NONE NONE NONE FT-LB NONE V NONE Hz

**PREPARED BY:** Dinesh  
Suddula **DATE:**  
02/18/2019 01:30:29 AM  
FORM 3531 REV.3 02/07/99  
\*\* Subject to change without  
notice.



**MARATHON ELECTRIC CORPORATION**  
TYPICAL PERFORMANCE CURVE for AC MOTOR

Customer \_\_\_\_\_ Curve at 460 Volts HP 60&50 PHASE 3  
 Model No 364VTDC6026 60 HZ  
60 HP VOLTS 230/460&190/380  
 Catalog No V008A HZ 60&50 RPM 1780&1480



		Torque in Lb.Ft		
FL TORQUE	<u>176</u>	Lb.Ft	FL AMPS	<u>150/75</u>
BD TORQUE	<u>397.0</u>	Lb.Ft	PU TORQUE	<u>290.0</u>
LR TORQUE	<u>338</u>	Lb.Ft	LR AMPS	<u>450</u>
WINDING	TPE3644001-1		Date	11/2/2018

## EC Declaration of Conformity

The undersigned representing  
the manufacturer:

Regal Beloit America  
100 East Randolph St.  
Wausau, WI 54401

and the authorized representative  
established within the Community:

Marathon Electric UK  
6F Thistleton Road Ind. Estate  
Market Overton  
Oakham, Rutland LE15 7PP UK

are committed to providing customers with products that comply with applicable regulations and international protocols to which they are subject, including the requirements of the European Parliament Directive on the Harmonization of the laws relating to electrical equipment designed for use within certain voltage limits (2014/35/EU).

Regal Beloit America declares that the following product(s), to which this declaration relates, are in conformity with the relevant sections of the EC standards listed below.

This statement supersedes any statements previously issued pertaining to the product(s) listed below and is subject to change without notice.

Model No : 364VTDC6026

(Model No. may contain prefix and/or suffix characters)

Catalog No : V008A

Rework No : N/A

Directives :

Low Voltage Directive 2014/35/EU

Harmonized Standards Used :

EN 60034-1: 2010 (IEC 60034-1: 2010)

EN 60034-5: 2001/A1:2007 (IEC 60034-5: 2000/A1:2006)

Authorized Representative:



Michael A. Logsdon  
Vice President, Technology

Authorized Representative in the Community:



Julian Clark  
Marketing Engineer

Created on 09/01/2022

**CE 22**