

PRODUCT INFORMATION PACKET

marathon®
Motors

Model No: 364TTFC6078

Catalog No: GT1235

Globetrotter® General Purpose Motor, 40 & 30 HP, 3 Ph, 60 & 50 Hz, 230/460 & 190/380 V,
1200 & 1000 RPM, 364TC Frame, TEFC



Regal and Marathon are trademarks of Regal Rexnord Corporation or one of its affiliated companies.

©2023 Regal Rexnord Corporation, All Rights Reserved. MC017097E

RegalRexnord



Nameplate Specifications

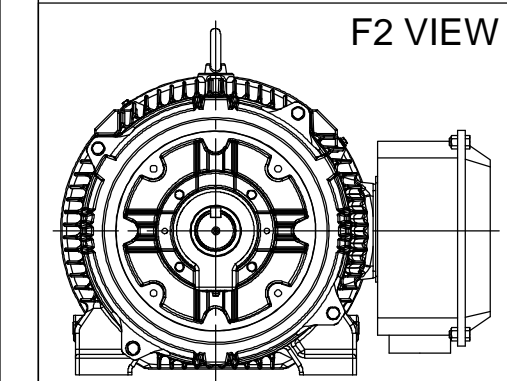
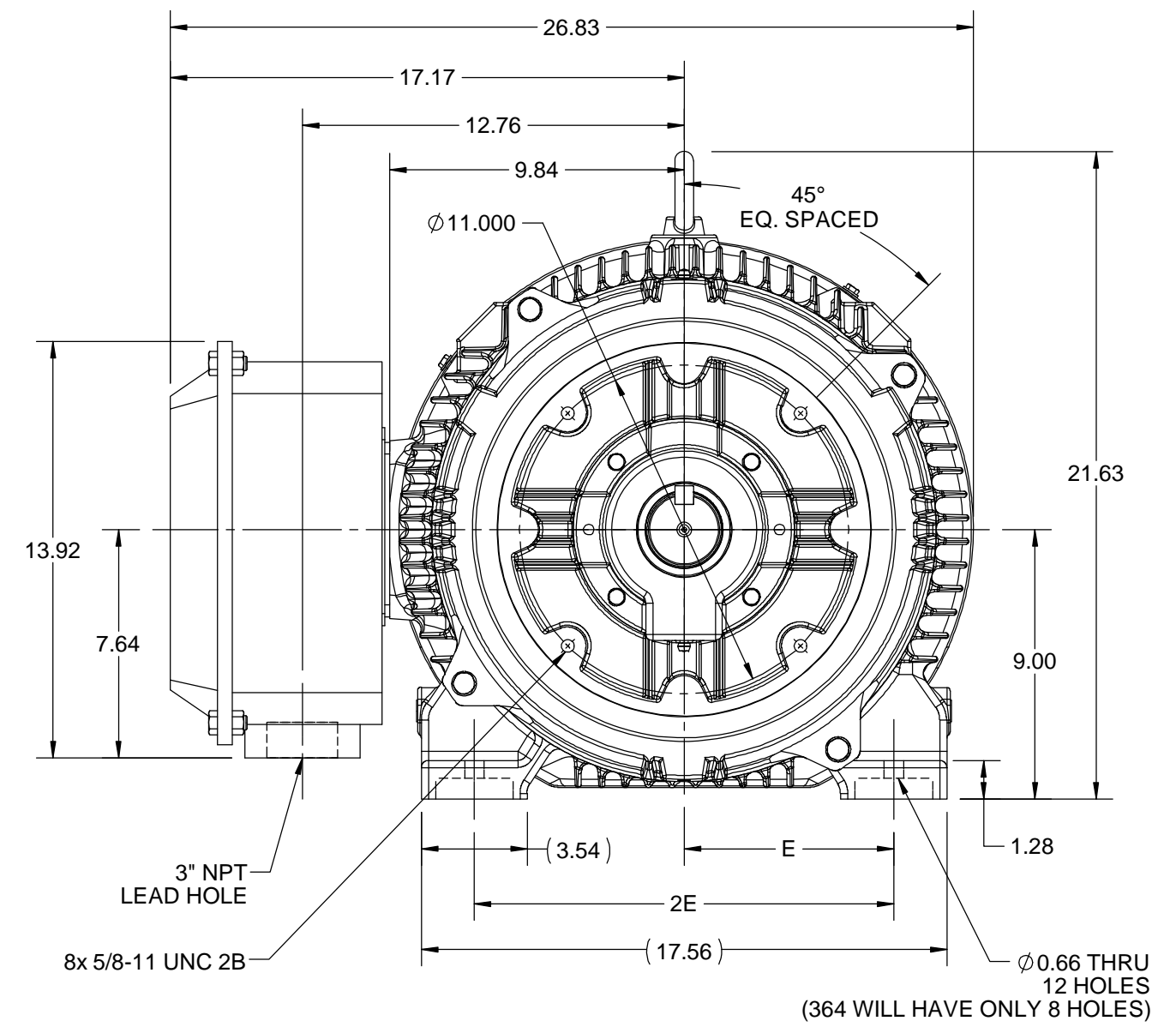
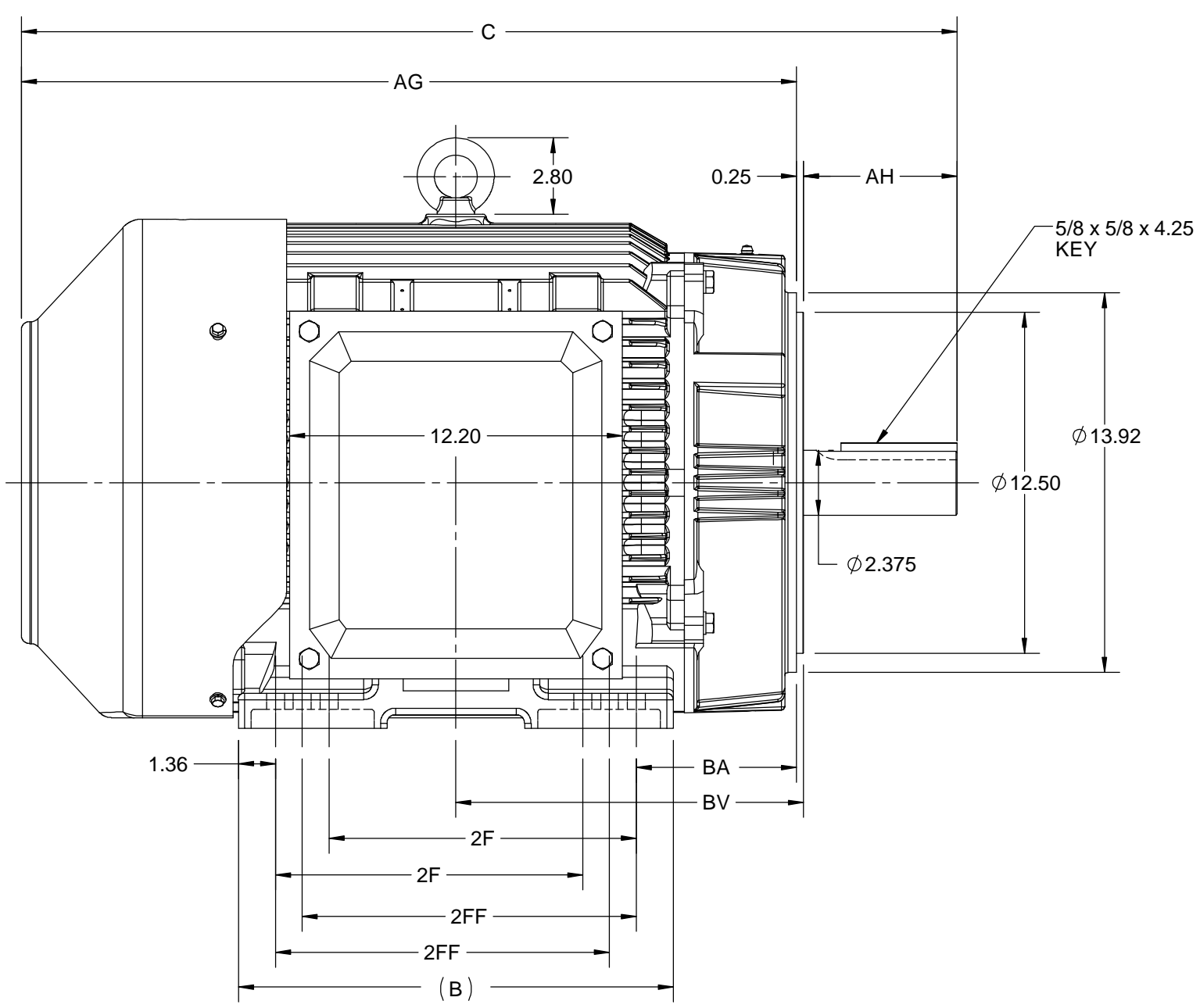
| | | | |
|------------------------|----------------------------|----------------------------|------------------------------------|
| Phase | 3 | Output HP | 40 & 30 Hp |
| Output KW | 30.0 & 22.4 kW | Voltage | 230/460 & 190/380 V |
| Speed | 1188 & 990 rpm | Service Factor | 1.15 & 1.15 |
| Frame | 364TC | Enclosure | Totally Enclosed Fan Cooled |
| Thermal Protection | No Protection | Efficiency | 94.1 & 93.6 % |
| Ambient Temperature | 40 °C | Frequency | 60 & 50 Hz |
| Current | 96/48 & 90/45 A | Power Factor | 82.5 |
| Duty | Continuous | Insulation Class | F |
| Design Code | B | KVA Code | G |
| Drive End Bearing Size | 6313 | Opp Drive End Bearing Size | 6213 |
| UL | Listed | CSA | Y |
| CE | Y | IP Code | 55 |
| Number of Speeds | 1 | Hazardous Location | DIVISION 2 T2B |

Technical Specifications

| | | | |
|-----------------------|-------------------------------------|--------------------|---|
| Electrical Type | Squirrel Cage Inverter Rated | Starting Method | Part Wdg Start Low Volt Only & Wye Start Delta Run Or Inverter |
| Poles | 6 | Rotation | Reversible |
| Resistance Main | .1664 Ohms | Mounting | Rigid Base |
| Motor Orientation | Horizontal | Drive End Bearing | Ball |
| Opp Drive End Bearing | Ball | Frame Material | Cast Iron |
| Shaft Type | T | Shaft Diameter | 2.375 in |
| Assembly/Box Mounting | F1/F2 CAPABLE | Inverter Load | CONSTANT 2:1/VARIABLE 10:1 |
| Outline Drawing | SS557001-100 | Connection Drawing | EE7308AA |

This is an uncontrolled document once printed or downloaded and is subject to change without notice. Date Created:06/23/2023

| DASH NO. | 4 | | 3 | | | | | 2 | | 1 | | |
|----------|-------|-------|------|-------|-------|-------|-------|------|------|-------|----------|-----------|
| | B | C | E | 2E | 2F | 2FF | AG | AH | BA | BV | MOUNTING | FRAME |
| 100 | 14.96 | 33.30 | 7.00 | 14.00 | - | 11.25 | 27.41 | 5.62 | 5.88 | 12.23 | F1 OR F2 | 364TC |
| 200 | 15.94 | 34.30 | | | 11.25 | 12.25 | 28.41 | | | 12.73 | | 364/365TC |



| | | |
|---|------------------------|-------------------------------|
| DRAWING REVISION D | REVISION BY S SAHOO | REV DATE/© DATE 01/10/2020 |
| ECO ECO-0193239 | APPROVED BY GNK | DATE 01/10/2020 |
| ECO DESCRIPTION DRAWING UPDATED | | |
| <small>COPYRIGHT (PER REVISION DATE) REGAL BELOIT AMERICA, INC. ALL RIGHTS RESERVED. PROPRIETARY AND CONFIDENTIAL INFORMATION - THIS DOCUMENT IS THE PROPERTY OF REGAL BELOIT AMERICA, INC. ("OWNER") AND CONTAINS OWNER'S PROPRIETARY INFORMATION. ANY PERSON, CORPORATION OR OTHER FIRM RECEIVING IT IS DEEMED, BY RECEIVING IT, TO AGREE THAT IT, AND/OR ANY PART OF IT, SHALL NOT BE DISCLOSED TO ANY PERSON, CORPORATION OR OTHER ENTITY, DUPLICATED, AND/OR USED, EXCEPT AS EXPRESSLY APPROVED IN WRITING IN ADVANCE BY OWNER. THIS DOCUMENT SHALL BE RETURNED TO OWNER UPON REQUEST. IT MAY BE SUBJECT TO CERTAIN RESTRICTIONS UNDER APPLICABLE EXPORT CONTROL LAWS AND REGULATIONS.</small> | | |

PRIMARY DIMENSIONS ARE INCH
mm DIMENSIONS IN [BRACKETS]
ARE FOR REFERENCE ONLY

| | |
|------------------------|---|
| DRAWN BY NIV | Regal Beloit America, Inc. |
| DATE 03-29-2016 | |
| APPROVED BY SBD | DESCRIPTION OUTLINE 364/365TC FR-NEMA-TEFC |
| DATE 03-29-2016 | MATERIAL |
| REFERENCE | PROCESS/FINISH |
| THIRD ANGLE PROJECTION | SIZE B |
| | DRAWING NUMBER SS557001 |
| | SHEET 1 OF 1 |



LOW VOLTAGE



HIGH VOLTAGE



VIEW OF TERMINAL END

| | | |
|---|------------------------------|---------------------------|
| DRAWING REVISION K | REVISION BY AJW | DATE 07-17-2015 |
| ECO ECO-0081632 | APPROVED BY T. VUE | DATE 07-17-2015 |
| ECO DESCRIPTION REV'D IEC MARKINGS PER IEC 60034-8 | | |
| <small>COPYRIGHT REGAL BELOIT AMERICA, INC. ALL RIGHTS RESERVED. PROPRIETARY AND CONFIDENTIAL INFORMATION - THIS DOCUMENT IS THE PROPERTY OF REGAL BELOIT AMERICA, INC. ("OWNER") AND CONTAINS OWNER'S PROPRIETARY INFORMATION. ANY PERSON, CORPORATION OR OTHER FIRM RECEIVING IT IS DEEMED, BY RECEIVING IT, TO AGREE THAT IT, AND/OR ANY PART OF IT, SHALL NOT BE DISCLOSED TO ANY PERSON, CORPORATION OR OTHER ENTITY, DUPLICATED, AND/OR USED, EXCEPT AS EXPRESSLY APPROVED IN WRITING IN ADVANCE BY OWNER. THIS DOCUMENT SHALL BE RETURNED TO OWNER UPON REQUEST. IT MAY BE SUBJECT TO CERTAIN RESTRICTIONS UNDER APPLICABLE EXPORT CONTROL LAWS AND REGULATIONS.</small> | | |



| |
|---------------------------|
| DRAWN BY LZ |
| DATE 01-12-1994 |
| APPROVED BY GK |
| DATE 01-14-1994 |
| REFERENCE |
| THIRD ANGLE PROJECTION |

| | | |
|--|-----------------------------------|------------------------|
| Regal Beloit America, Inc. | | |
| DESCRIPTION CONN DIAGRAM-EXTERNAL 3Ø-2/1 DELTA-12 LEADS | | |
| MATERIAL | PROCESS/FINISH | |
| SIZE A | DRAWING NUMBER EE7308AA | SHEET 1 OF 1 |



P.O. BOX 8003
 WAUSAU, WI 54401-8003
 PH. 715-675-3311

DATA VOLTS: 460

CERTIFICATION DATA SHEET

CUSTOMER:
 ORDER #:
 CONN. DIAGRAM: EE7308AA
 OUTLINE: S557001-100
 WINDING: HA32256005 NONE 2
 SPEED: _____

CUSTOMER P.O. #:
 REFERENCE MODEL #: 364TTFCD6078
 CAT #: GT1235
 CUSTOMER PART #:
 MOUNTING: F1/F2 CAPABLE

TYPICAL MOTOR PERFORMANCE DATA

| HP | KW | SYNC RPM | FL RPM | FRAME | ENCLOSURE | TYPE | KVA CODE | DESIGN |
|----|----|----------|--------|-------|-----------|------|----------|--------|
| 40 | 30 | 1200 | 1188 | 364TC | TEFC | TFC | G | B |

| PH | HZ | VOLTS | AMPS | START TYPE | DUTY | INSL | S.F. | AMB | ELEV. |
|----|-------|-----------------|-------------|------------------------------|------|------|------|-----|-------|
| 3 | 60/50 | 230/460#190/380 | 96/48&90/45 | PWS (LV ONLY) & YDRUN OR INV | CONT | F | 1.15 | 40 | 3300 |

| F.L. EFF | 94.1 | 3/4 LD EFF | 94.1 | 1/2 LD EFF | 94.1 | GTD EFF | ELECT. TYPE |
|----------|------|------------|------|------------|------|---------|-------------------|
| F.L. PF | 82.5 | 3/4 LD PF | 78.2 | 1/2 LD PF | 68.2 | 93.6 | SQ CAGE INV RATED |

| F.L. TORQUE | LR AMPS @ 460 V | L.R. TORQUE | B.D. TORQUE | F.L. RISE (° C) |
|-------------|-----------------|-------------|-------------|-----------------|
| 177 LB-FT | 290 | 340 LB-FT | 192% | 504 LB-FT 285% |

| SOUND PRESSURE @ 3 FT. | SOUND | POWER | ROTOR WK ² | MAX. LOAD WK ² | SAFE STALL TIME | STARTS/HOUR | APROX. | MOTOR WGT |
|------------------------|--------|-------|-------------------------|---------------------------|-----------------|-------------|--------|-----------|
| 68 dBA | 77 dBA | | 25.0 LB-FT ² | 500 LB-FT ² | 20 SEC. | 2 | 1050 | LB. |

***** SUPPLEMENTAL INFORMATION *****

| DE BRACKET TYPE | ODE BRACKET TYPE | MOUNT TYPE | MOTOR ORIENTATION | SEVERE DUTY | HAZARDOUS LOCATION | DRIP COVER | SCREENS | PAINT |
|-----------------|------------------|------------|-------------------|-------------|--------------------|------------|---------|---------------|
| C-FACE | STANDARD | RIGID | HORIZONTAL | NO | DIVISION 2 T2B | YES | NONE | BLUE (ENAMEL) |

| BEARINGS | | GREASE | SHAFT TYPE | SPECIAL DE | SPECIAL ODE | SHAFT MATERIAL | FRAME MATERIAL |
|----------|------|------------|------------|------------|-------------|-------------------------|----------------|
| DE | ODE | | | | | | |
| BALL | BALL | POLYREX EM | T | NONE | NONE | 1045 HOT ROLLED (C-204) | CAST IRON |
| 6313 | 6213 | | | | | | |

| THERMOSTATS | PROTECTORS | WDG RTD's | BRG RTD's | THERMISTORS | CONTROL | SPACE HEATERS |
|-------------|------------|-----------|-----------|-------------|---------|---------------|
| NONE | NOT | NONE | NONE | NONE | FALSE | NA |

| R1 (ohms/ph) | R2 (ohms/ph) | X1 (ohms/ph) | X2 (ohms/ph) | Xm (ohms/ph) | VIBRATION (in/sec) | FLOAT |
|--------------|--------------|--------------|--------------|--------------|--------------------|-------|
| 0.103 | 0.061 | 0.424 | 0.778 | 13.009 | 0.150 | ODE |

| | | | | | | |
|-------|---|--|--|--|--|--|
| NOTES | INVERTER TORQUE: CONSTANT 2:1/VARIABLE 10:1 | | | | | |
| | INV. HP SPEED RANGE: NONE | | | | | |
| | ENCODER: NONE | | | | | |
| | NONE PPR | | | | | |

| | | | | | |
|--|------------------|--|--|--|-----|
| PREPARED BY: | DATE: 10/29/2021 | | | | |
| BRAKE: NONE | | | | | HZ: |
| FT-LB: NA | | | | | |
| VOLTAGE: NONE | | | | | |
| UL: NO LETTER - ME, WUXI TEFC BLUEWHALE CLASS 1 DIV. 2 UL LISTED | | | | | |

FORM: 3531 REV. 4 2/27/06

Data Sheet

Date: 10/29/2021
 Customer: _____
 Attention: _____
 Submitted by: _____



364TTFCD6078

Submittal

Data @ 460 V

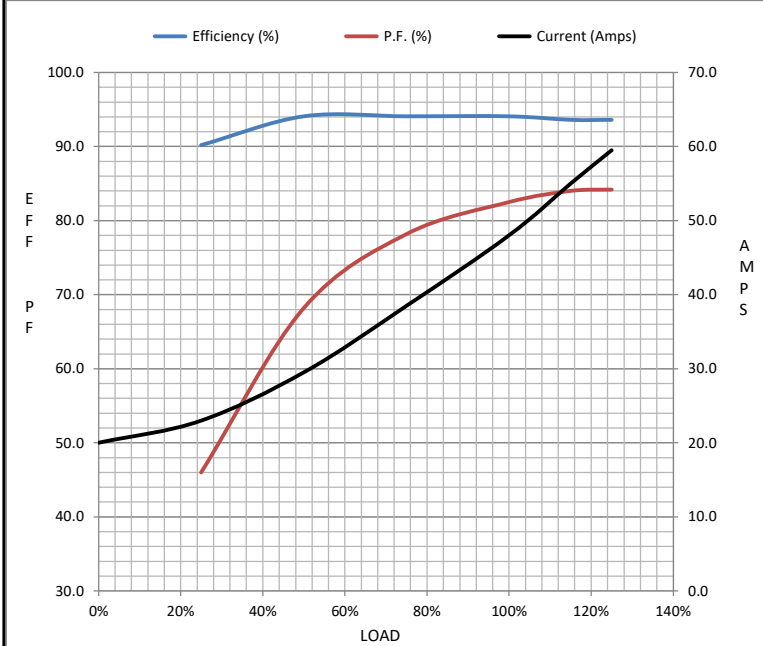
Motor Load Data

| Load | 0% | 25% | 50% | 75% | 100% | 115% | 125% | LR |
|----------------|------|------|------|------|------|-------|------|------|
| Current (Amps) | 20.0 | 23.0 | 29.5 | 38.5 | 48.0 | 55.0 | 59.5 | 290 |
| Torque (ft-lb) | 0.00 | 44.0 | 88.0 | 132 | 177 | 204 | 222 | 340 |
| RPM | 1200 | 1198 | 1195 | 1192 | 1188 | 1,185 | 1184 | 0 |
| Efficiency (%) | | 90.2 | 94.1 | 94.1 | 94.1 | 93.6 | 93.6 | |
| P.F. (%) | 5.5 | 46.0 | 68.2 | 78.2 | 82.5 | 84.0 | 84.2 | 34.0 |

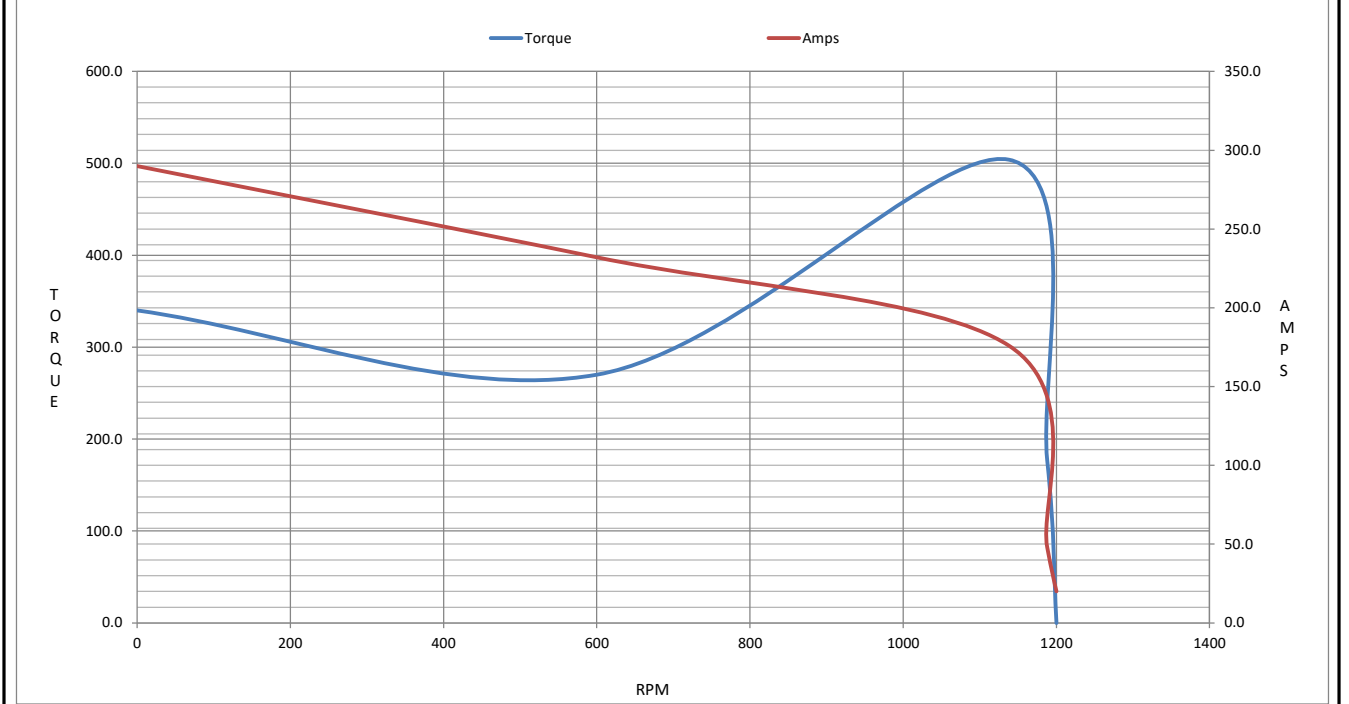
Motor Speed Data

| | LR | Pull-Up | BD | Rated | Idle |
|----------------|-----|---------|------|-------|------|
| Speed (RPM) | 0 | 600 | 1138 | 1188 | 1200 |
| Current (Amps) | 290 | 232 | 176 | 48.0 | 20.0 |
| Torque (ft-lb) | 340 | 270 | 504 | 177 | 0.00 |

| Information Block | | | | |
|-----------------------------|----------------------------|--------|--------|---------|
| HP | 40.0 | | | |
| Sync. RPM | 1200 | | | |
| Frame | 364 | | | |
| Enclosure | TEFC | | | |
| Construction | TFC | | | |
| Voltage | 230/460#190/380 V | | | |
| Frequency | 60 Hz | | | |
| Design | B | | | |
| LR Code letter | G | | | |
| Service Factor | 1.15 | | | |
| Temp Rise @ FL | 50 ° C | | | |
| Duty | CONT | | | |
| Ambient | 40 ° C | | | |
| Elevation | 3,300 feet | | | |
| Rotor/Shaft wk ² | 25.0 Lb-F ² | | | |
| Ref Wdg | HA32256005 NONE | | | |
| Sound Pressure @ 1M | 68 dBA | | | |
| VFD Rating | CONSTANT 2:1/VARIABLE 10:1 | | | |
| Outline Dwg | SS557001-100 | | | |
| Conn. Diag | EE7308AA | | | |
| Additional Specifications: | | | | |
| 0 | | | | |
| 0 | | | | |
| EQUIV CKT (OHMS / PHASE) | | | | |
| R1 | R2 | X1 | X2 | Xm |
| 0.1030 | 0.0610 | 0.4240 | 0.7780 | 13.0090 |



Speed - Torque Curve



EC Declaration of Conformity

The undersigned representing
the manufacturer:

Regal Beloit America
100 East Randolph St.
Wausau, WI 54401

and the authorized representative
established within the Community:

Marathon Electric UK
6F Thistleton Road Ind. Estate
Market Overton
Oakham, Rutland LE15 7PP UK

are committed to providing customers with products that comply with applicable regulations and international protocols to which they are subject, including the requirements of the European Parliament Directive on the Harmonization of the laws relating to electrical equipment designed for use within certain voltage limits (2014/35/EU).

Regal Beloit America declares that the following product(s), to which this declaration relates, are in conformity with the relevant sections of the EC standards listed below.

This statement supersedes any statements previously issued pertaining to the product(s) listed below and is subject to change without notice.

Model No : 364TTFCD6078

(Model No. may contain prefix and/or suffix characters)

Catalog No : GT1235

Rework No : N/A

Directives :

Low Voltage Directive 2014/35/EU

Harmonized Standards Used :

EN 60034-1: 2010 (IEC 60034-1: 2010)

EN 60034-5: 2001/A1:2007 (IEC 60034-5: 2000/A1:2006)

Authorized Representative:



Michael A. Logsdon
Vice President, Technology

Authorized Representative in the Community:



Julian Clark
Marketing Engineer

Created on 09/01/2022

CE 22