

# PRODUCT INFORMATION PACKET

**marathon**<sup>®</sup>  
Motors

Model No: 364TTDCA4036

Catalog No: E1739

General Purpose Motor, 60 & 50 HP, 3 Ph, 60 & 50 Hz, 230/460 & 190/380 V, 1800 & 1500 RPM,  
364T Frame, DP

Regal and Marathon are trademarks of Regal Rexnord Corporation or one of its affiliated companies.

©2023 Regal Rexnord Corporation, All Rights Reserved. MC017097E

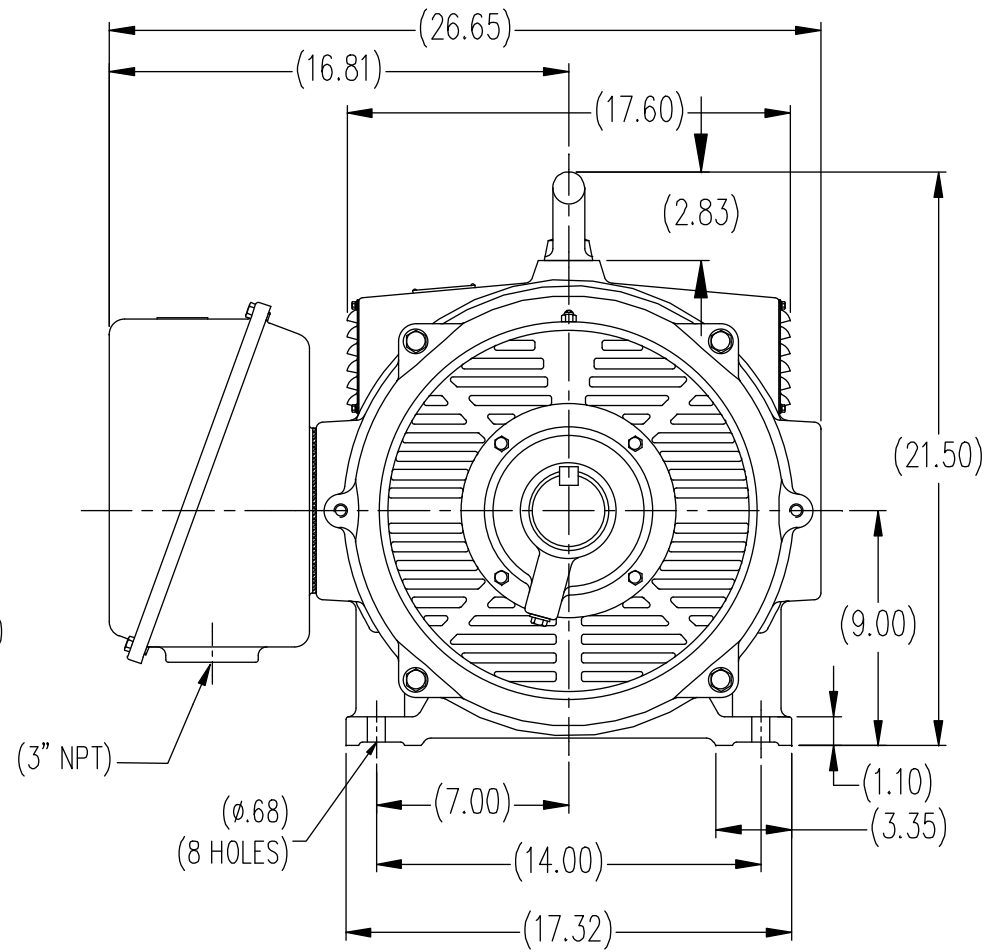
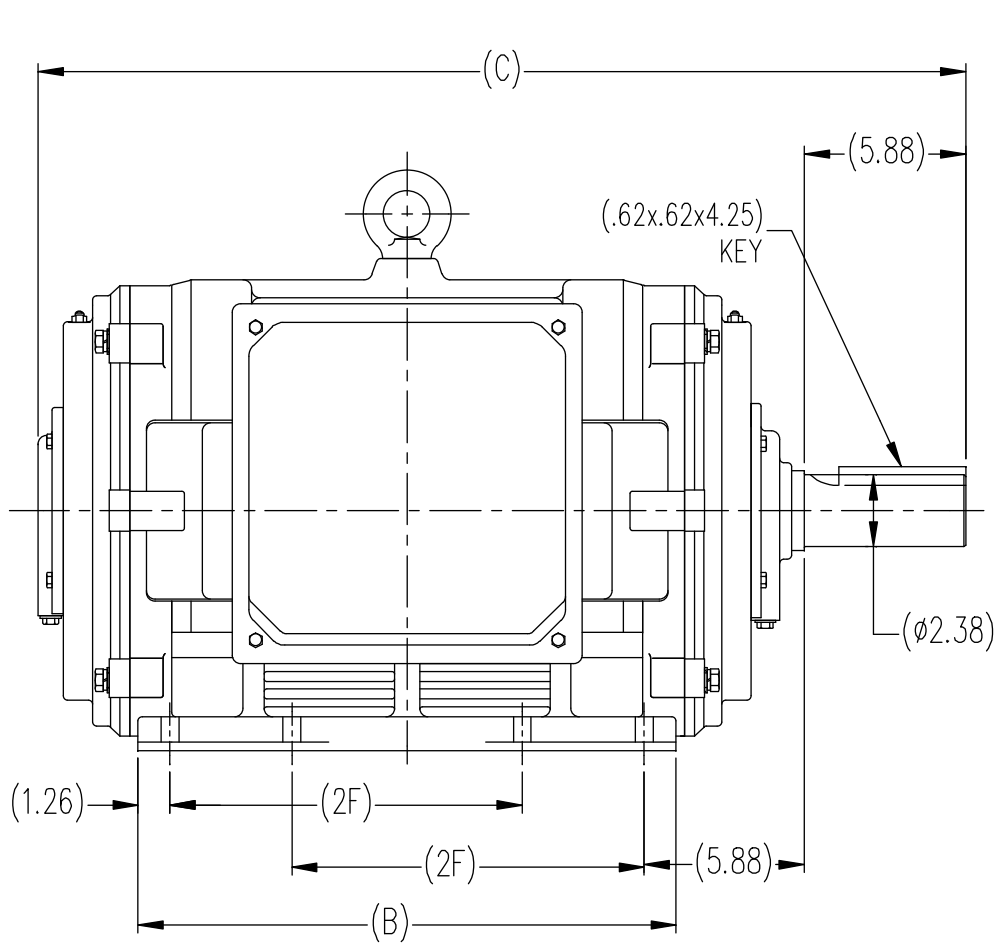
**RegalRexnord**

### Nameplate Specifications

Phase	<b>3</b>	Output HP	<b>60 &amp; 50 Hp</b>
Output KW	<b>45.0 &amp; 37.0 kW</b>	Voltage	<b>230/460 &amp; 190/380 V</b>
Speed	<b>1785 &amp; 1485 rpm</b>	Service Factor	<b>1.15 &amp; 1.15</b>
Frame	<b>364T</b>	Enclosure	<b>Drip Proof</b>
Thermal Protection	<b>No Protection</b>	Efficiency	<b>94.5 &amp; 94.5 %</b>
Ambient Temperature	<b>40 °C</b>	Frequency	<b>60 &amp; 50 Hz</b>
Current	<b>140/70 &amp; 140/70 A</b>	Power Factor	<b>84.5</b>
Duty	<b>Continuous</b>	Insulation Class	<b>B</b>
Design Code	<b>B</b>	KVA Code	<b>G</b>
Drive End Bearing Size	<b>6314</b>	Opp Drive End Bearing Size	<b>6313</b>
UL	<b>Recognized</b>	CSA	<b>Y</b>
CE	<b>Y</b>	IP Code	<b>12</b>
Number of Speeds	<b>1</b>		

### Technical Specifications

Electrical Type	<b>Squirrel Cage Induction Run</b>	Starting Method	<b>Across The Line</b>
Poles	<b>4</b>	Rotation	<b>Reversible</b>
Resistance Main	<b>.09103 Ohms</b>	Mounting	<b>Rigid Base</b>
Motor Orientation	<b>Horizontal</b>	Drive End Bearing	<b>Ball</b>
Opp Drive End Bearing	<b>Ball</b>	Frame Material	<b>Cast Iron</b>
Shaft Type	<b>T</b>	Overall Length	<b>31.69 in</b>
Shaft Diameter	<b>2.375 in</b>	Shaft Extension	<b>5.87 in</b>
Assembly/Box Mounting	<b>F1/F2 CAPABLE</b>		
Outline Drawing	<b>SS620114-364T</b>	Connection Drawing	<b>A-EE7308K</b>



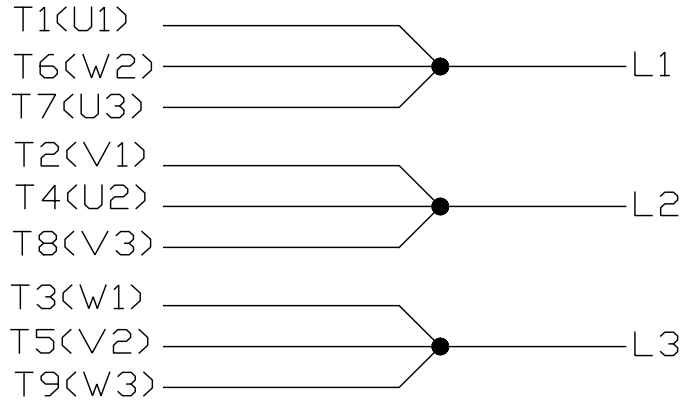
(DIMENSIONS IN TABLE ARE CONSIDERED REFERENCE)

(MAY NOT BE DRAWN TO SCALE)

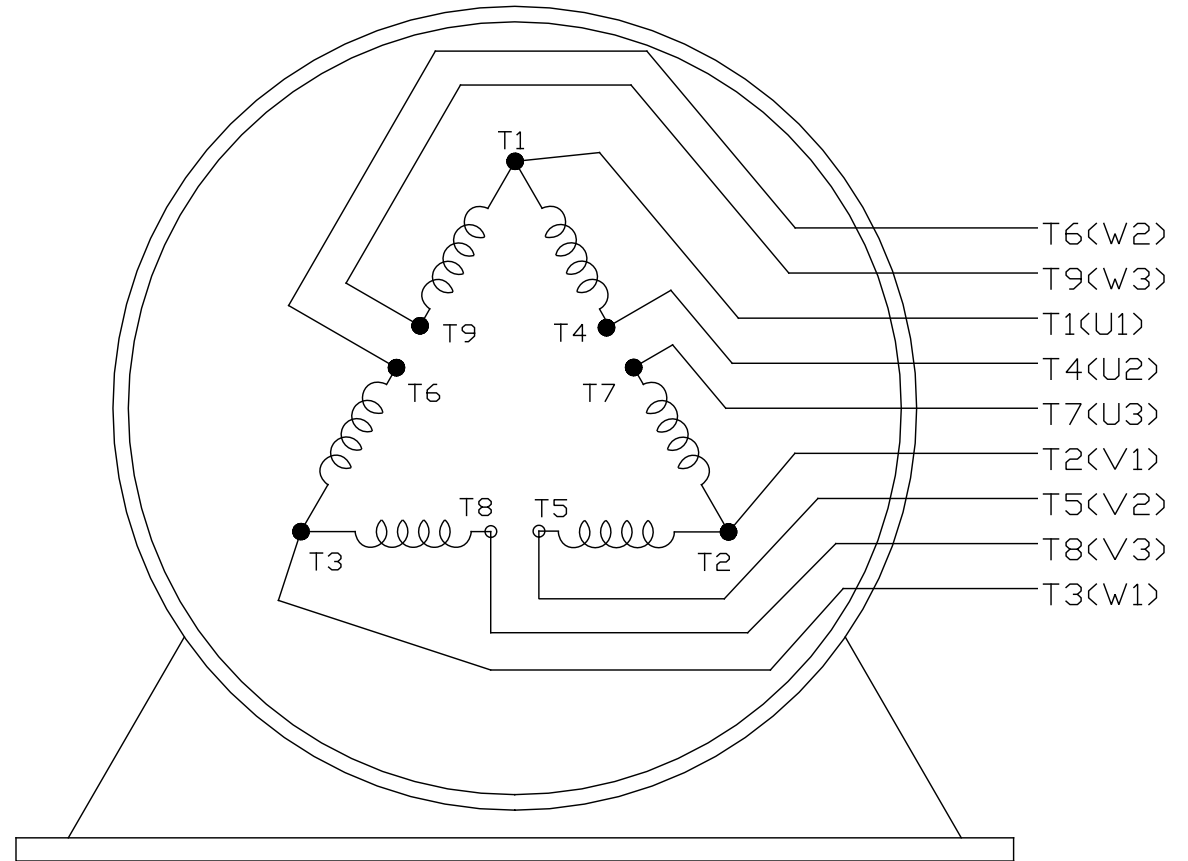
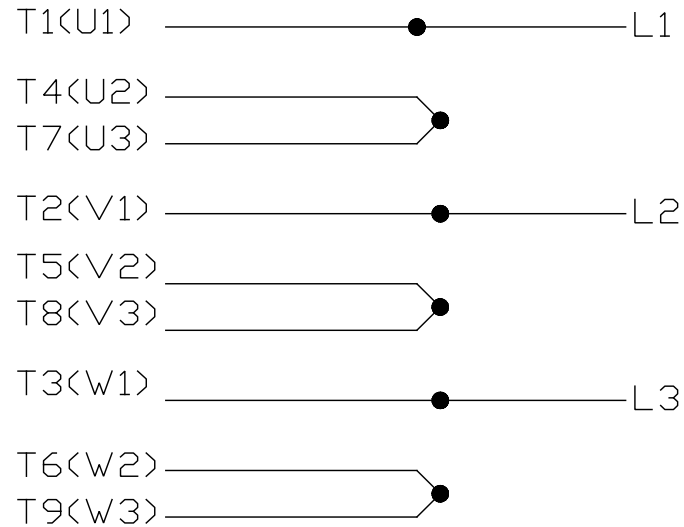
364T	31.69	17.32	11.25
365T	33.27	18.90	12.25
FRAME	C	B	2F


		TOLERANCES UNLESS SPECIFIED		<b>REGAL</b> REGAL-BELOIT CORPORATION	DRAWN MSG 11-09-2007
		DEC.	INCHES		CHK ML 11-09-2008
		.X	±.1	TITLE 364/365T FR. - ODP - CAST IRON	APPD SB 01-14-2008
		.XX	±.03		SCALE 1=1
		.XXX	±.005		REF
1	REMOVED REFERENCE TO MODEL NUMBERS	ML 02-02-2011	.XXXX ±.0005	MAT'L.	FMF HUADA
NO.	REVISION	BY & DATE	CHK ANG	FINISH	PREV
THIS DRAWING IN DESIGN AND DETAIL IS OUR PROPERTY AND MUST NOT BE USED EXCEPT IN CONNECTION WITH OUR WORK ALL RIGHTS OF DESIGN AND INVENTION ARE RESERVED THIS IS AN ELECTRONICALLY GENERATED DOCUMENT - DO NOT SCALE THIS PRINT			RFP	CAD FILE SS620114	SIZE B
			DIST		DRAWING NO. SS620114
					REV.

LOW VOLTAGE



HIGH VOLTAGE



				TOLERANCES UNLESS SPECIFIED		 REGAL - BELOIT CORPORATION	DRAWN PGK 06-04-1997	
NO.	REVISION	BY & DATE	CHK	ANG	±		INCHES	CHK
E	CORRECTED IEC MARKINGS ECD-0111208	WGJ 01-23-2017	EMH	DEC.				
D	RE-DRAWN WITH REGAL LOGO ECD-0110493	WGJ 09-30-2016	EMH	.X	±.1			APPD GK 06-15-1997
8	ADDED IEC DESIGNATIONS MU95020	TJW 4/30/2010	MJS	.XX	±.02	TITLE	CONNECTION DIAGRAM	
7	REVISED HIGH VOLTAGE L2 WAS L3 CN52600-354	MRB 09-21-1998		.XXX	±.005	DELTA CON. - 3Ø - 9 LEADS		
6	REDRAWN ON CADD	PGK 06-05-1997		.XXXX	±.0005	MAT'L.	FMF	
					±7'30"	FINISH	PREV	
THIS DRAWING IN DESIGN AND DETAIL IS OUR PROPERTY AND MUST NOT BE USED EXCEPT IN CONNECTION WITH OUR WORK ALL RIGHTS OF DESIGN AND INVENTION ARE RESERVED THIS IS AN ELECTRONICALLY GENERATED DOCUMENT - DO NOT SCALE THIS PRINT						RFP	CAD FILE EE7308K	
						DIST	SIZE	DRAWING NO. PAGE OF
							A	EE7308K
								REV. E