

PRODUCT INFORMATION PACKET

marathon®
Motors

Model No: 364TTDC6060

Catalog No: U779

General Purpose Motor, 60 & 60 HP, 3 Ph, 60 & 50 Hz, 208-230/460 & 200/400 V, 1800 & 1500 RPM,
364T Frame, DP



Regal and Marathon are trademarks of Regal Rexnord Corporation or one of its affiliated companies.

©2023 Regal Rexnord Corporation, All Rights Reserved. MC017097E

RegalRexnord

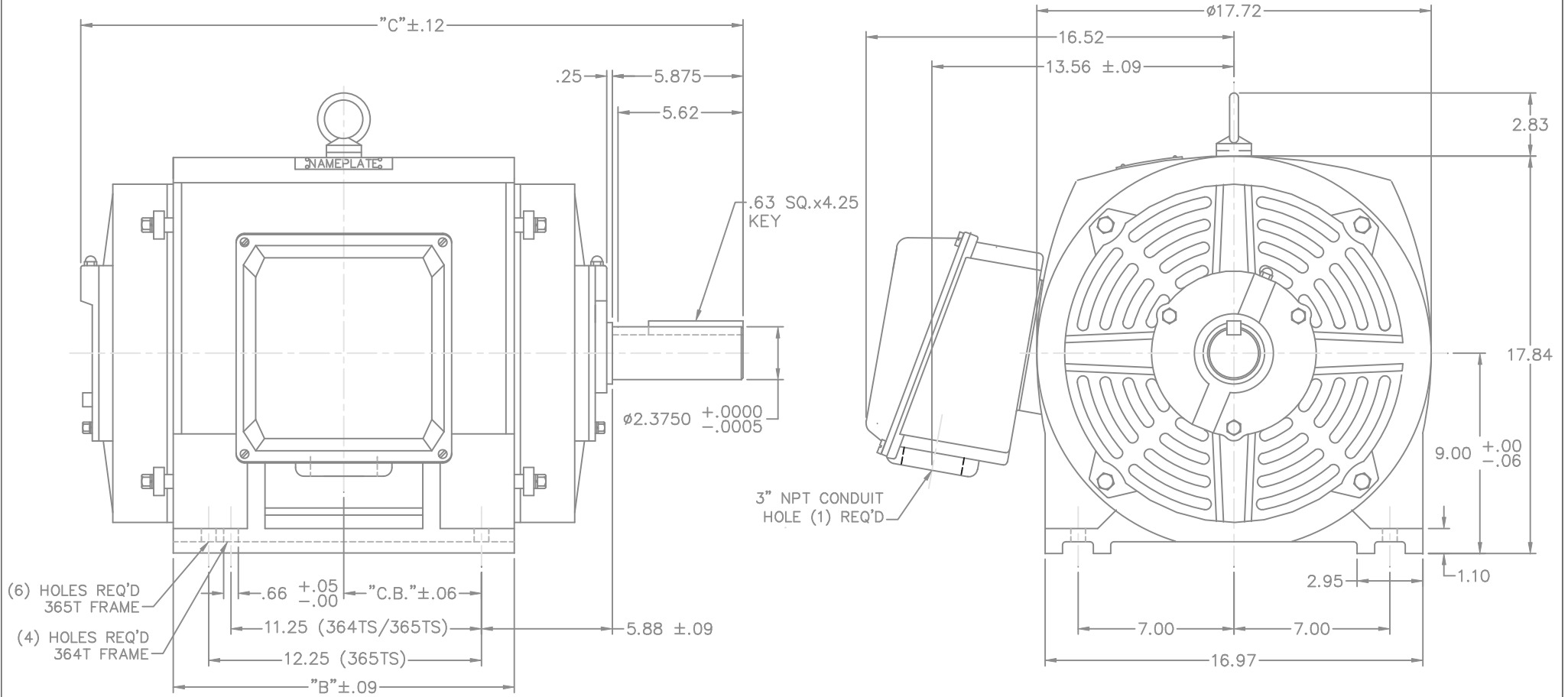
Nameplate Specifications

Phase	3	Output HP	60 & 60 Hp
Output KW	45.0 & 45.0 kW	Voltage	208-230/460 & 200/400 V
Speed	1785 & 1480 rpm	Service Factor	1.15 & 1.15
Frame	364T	Enclosure	Drip Proof
Thermal Protection	Thermostat	Efficiency	94.1 & 93.0 %
Ambient Temperature	40 °C	Frequency	60 & 50 Hz
Current	152 - 139/69.5 & 160/80 A	Power Factor	86
Duty	Continuous	Insulation Class	F
Design Code	B	KVA Code	G
Drive End Bearing Size	6314	Opp Drive End Bearing Size	6314
UL	Recognized	CSA	Y
CE	Y	IP Code	12
Number of Speeds	1		

Technical Specifications

Electrical Type	Squirrel Cage Induction Run	Starting Method	Across The Line
Poles	4	Rotation	Reversible
Mounting	Rigid Base	Motor Orientation	Horizontal
Drive End Bearing	Ball	Opp Drive End Bearing	Ball
Frame Material	Cast Iron	Shaft Type	T
Overall Length	28.01 in	Shaft Diameter	2.375 in
Shaft Extension	5.88 in	Assembly/Box Mounting	F1 ONLY
Connection Drawing	004172-01ME	Outline Drawing	169556.60ME

This is an uncontrolled document once printed or downloaded and is subject to change without notice. Date Created:06/21/2023



(6) HOLES REQ'D
365T FRAME

(4) HOLES REQ'D
364T FRAME

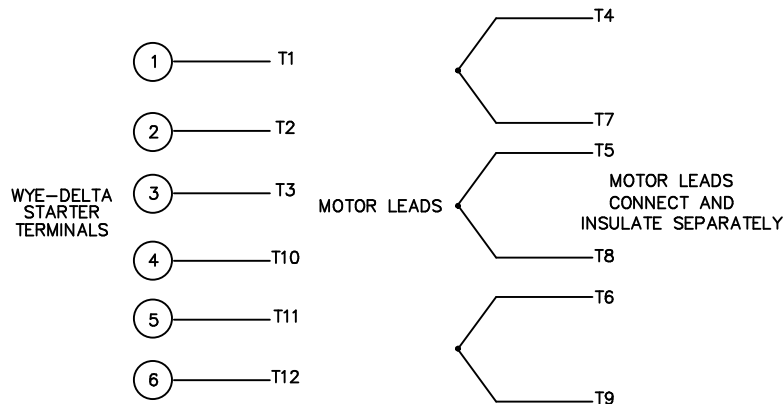
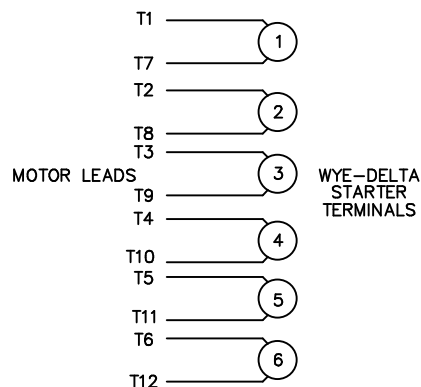
FRAME DESIGN	"B"	"C"	"C.B."
364T	14.20	28.01	5.05
365T	15.31	31.18	6.13

NO.		REVISION	BY & DATE	CHK	ANG	±1/2'	FINISH	PREV	
1		NEW DRAWING	CTO 05/21/02						
<p>TO TOLERANCES UNLESS SPECIFIED</p> <p>DEC. INCHES</p> <p>.X ±.1</p> <p>.XX ±.03</p> <p>.XXX ±.005</p> <p>.XXXX ±.0005</p>									<p>DRAWN CTO 04-24-2002</p> <p>CHK ML 05-20-2002</p> <p>APPD SB 05-21-2002</p> <p>SCALE 1=4.25</p> <p>REF</p> <p>FMF</p> <p>PREV</p>
<p>TITLE OUTLINE 360 T, OPEN DRIP PROOF MEETS NEC CON-BOX VOLUME 9780 CC</p> <p>MAT'L CAST IRON</p>							<p>CAD FILE 16955660ME</p> <p>SIZE B</p> <p>DRAWING NO. 169556-60ME</p> <p>REV. 1</p>		
<p>THIS DRAWING IN DESIGN AND DETAIL IS OUR PROPERTY AND MUST NOT BE USED EXCEPT IN CONNECTION WITH OUR WORK ALL RIGHTS OF DESIGN AND INVENTION ARE RESERVED THIS IS AN ELECTRONICALLY GENERATED DOCUMENT - DO NOT SCALE THIS PRINT</p>							<p>RFP</p> <p>DIST</p>		

WYE - DELTA STARTING USEABLE ON 2, 4 AND 6 POLE MOTORS.

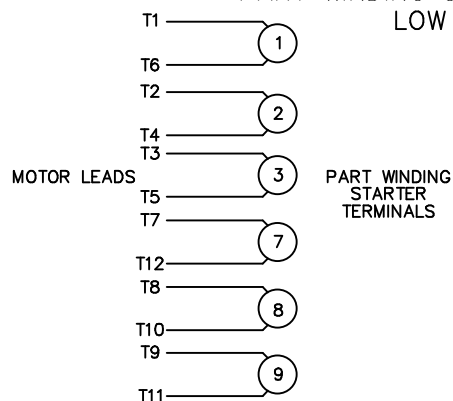
LOW VOLTAGE CONNECTION

HIGH VOLTAGE CONNECTION



REFER TO THE WYE-DELTA STARTER CONNECTION INSTRUCTIONS FOR PROPER CONNECTION OF POWER LINES TO STARTER.

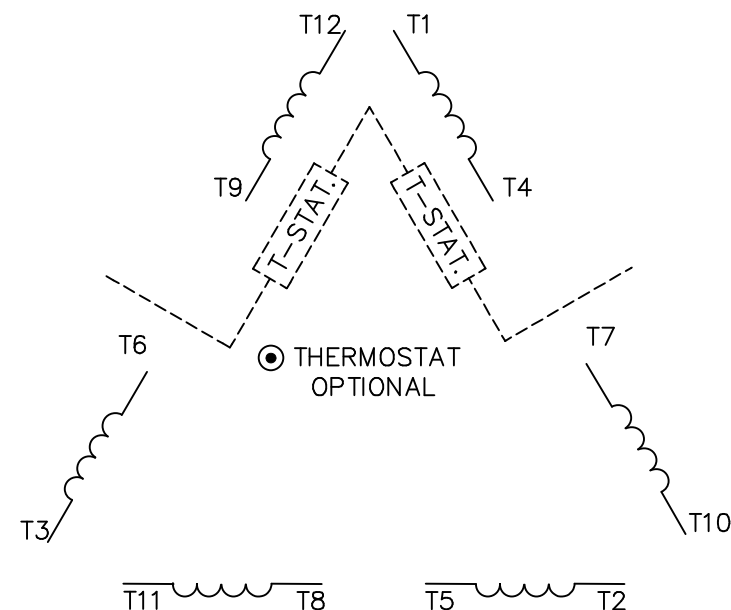
PART WINDING START USABLE ON 4 & 6 POLE MOTORS
LOW VOLTAGE CONNECTION ONLY



REFER TO THE PART WINDING STARTER INSTRUCTIONS FOR PROPER CONNECTION OF POWER LINES TO STARTER.

REFER TO THE CUTLER-HAMMER OR EQUIV. FOR PROPER SELECTION OF OVERLOAD HEATER COILS.

LINE LEADS



ROTATION CAN BE REVERSED BY INTERCHANGING ANY TWO LINE LEADS
● RED LEADS OR P1, P2, FOR N/C THERMOSTAT

ACROSS THE LINE START & RUN

	LINE 1	LINE 2	LINE 3	JOIN & INSULATE SEPARATELY
HIGH VOLT	T1, T12	T2, T10	T3, T11	(T4, T7) (T5, T8) (T6, T9)
LOW VOLT	T1, T6 T7, T12	T2, T4 T8, T10	T3, T5 T9, T11	

TOLERANCES UNLESS SPECIFIED
DEC. INCHES

.X	±.1
.XX	±.02
.XXX	±.005
.XXXX	±.0005
ANG	±7'30"



TITLE DELTA - WYE CONNECTION DIAGRAM

DRAWN	RJW 07-19-2007
CHK	ML 07-19-2007
APPD	GK 07-19-2007
SCALE	1=1
REF	MU61151
FMF	
PREV	

NO.	REVISION	BY & DATE	CHK	ANG	FINISH
			RFP	07-19-2007	CAD FILE 004172-01ME
			DIST	LB	

THIS DRAWING IN DESIGN AND DETAIL IS OUR PROPERTY AND MUST NOT BE USED EXCEPT IN CONNECTION WITH OUR WORK ALL RIGHTS OF DESIGN AND INVENTION ARE RESERVED THIS IS AN ELECTRONICALLY GENERATED DOCUMENT - DO NOT SCALE THIS PRINT

RFP 07-19-2007

CAD FILE 004172-01ME

SIZE A DRAWING NO. 004172-01ME PAGE 1 OF 1 REV.