

PRODUCT INFORMATION PACKET

marathon[®]
Motors

Model No: 364TSTFS4001

Catalog No: E960

Other Purpose Motor, 60 & 50 HP, 3 Ph, 60 & 50 Hz, 230/460 & 190/380 V, 3600 & 3000 RPM,
364TS Frame, TEFC

Regal and Marathon are trademarks of Regal Rexnord Corporation or one of its affiliated companies.

©2023 Regal Rexnord Corporation, All Rights Reserved. MC017097E

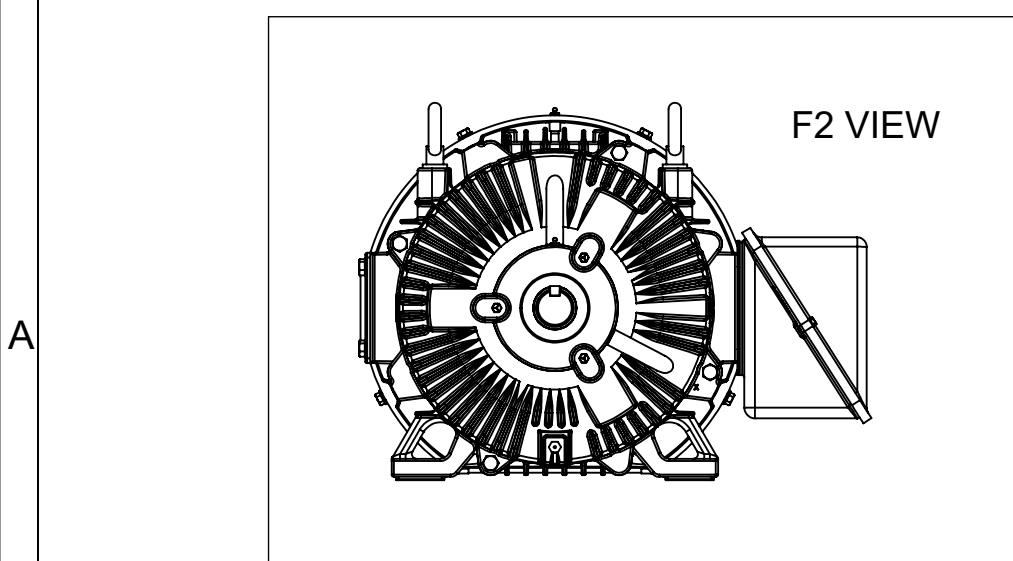
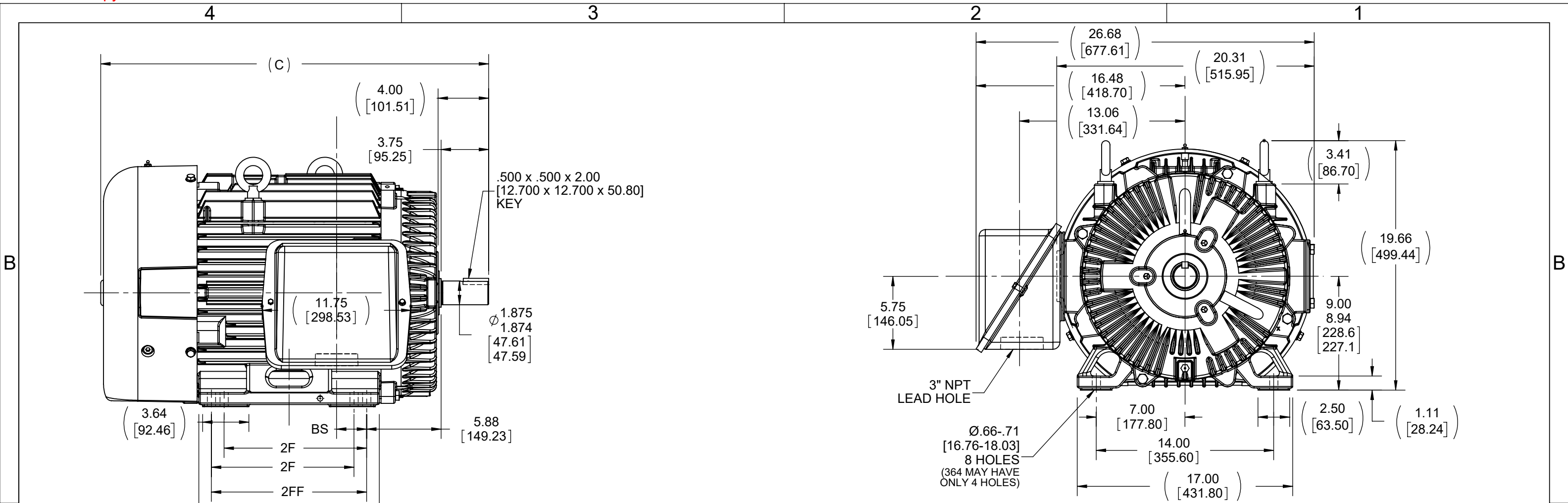
RegalRexnord

Nameplate Specifications

Phase	3	Output HP	60 & 50 Hp
Output KW	45.0 & 37.0 kW	Voltage	230/460 & 190/380 V
Speed	3560 & 2965 rpm	Service Factor	1.15 & 1.15
Frame	364TS	Enclosure	Totally Enclosed Fan Cooled
Thermal Protection	No Protection	Efficiency	93 & 93 %
Ambient Temperature	40 °C	Frequency	60 & 50 Hz
Current	141/70.5 & 140/70 A	Power Factor	85.5
Duty	Continuous	Insulation Class	F
Design Code	B	KVA Code	G
Drive End Bearing Size	6312	Opp Drive End Bearing Size	6312
UL	Recognized	CSA	Y
CE	Y	IP Code	43
Number of Speeds	1		

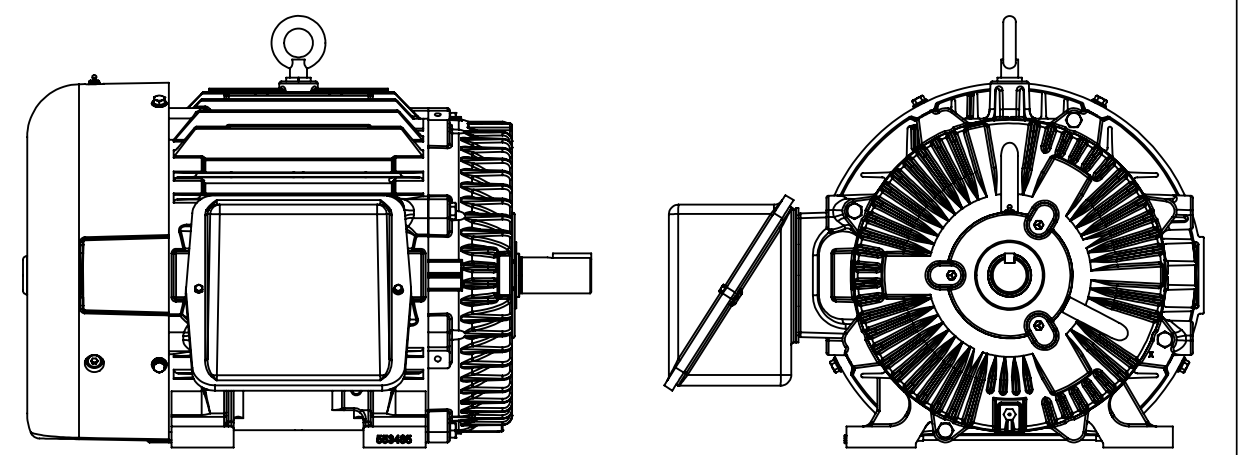
Technical Specifications

Electrical Type	Squirrel Cage Induction Run	Starting Method	Across The Line
Poles	2	Rotation	Reversible
Resistance Main	.096 Ohms	Mounting	Rigid Base
Motor Orientation	Horizontal	Drive End Bearing	Ball
Opp Drive End Bearing	Ball	Frame Material	Cast Iron
Shaft Type	TS	Overall Length	29.38 in
Frame Length	13.50 in	Shaft Diameter	1.875 in
Shaft Extension	4 in	Assembly/Box Mounting	F1/F2 CAPABLE
Outline Drawing	B-SS508654-1350	Connection Drawing	A-EE7308K



FRAME 364 -1350

NOTE:
1. ALTERNATE FRAME DRAWING.
2. MODELS USING ALTERNATE FRAME 553485A.



NOTES:
1. CONDUIT BOX CAN BE ROTATED IN 90° STEPS.

DASH	FRAME	B	C	2F	2FF	BS
1350	364TS	13.25 [336.55]	29.60 [751.94]	11.25 [285.75]	---	5.62 [142.75]
1450	364/365TS	14.25 [361.95]	30.60 [777.34]	11.25 [285.75]	12.25 [311.15]	2.38 [60.45]

DRAWING REVISION D	REVISION BY MJ	REV DATE/© DATE 05/05/2022	TOLERANCES (EXCEPT AS NOTED): DEC. INCH mm ANGLE .X ±0.1 [±3] ±0.5° .XX ±0.03 [±0.8] .XXX ±0.005 [±0.13] .XXXX ±0.0005 [±0.013] REMOVE BURRS & BREAK SHARP EDGES: .003/.015 [.08/.38] X 45° CORNER FILLETS: R.02 [.5] MACHINED SURFACES: 125/3.2 INCH/mm mm DIMENSIONS IN [BRACKETS] ARE FOR REFERENCE ONLY	DRAWN BY TLB	Regal Beloit America, Inc.
REQUEST NUMBER CR-0007552	APPROVED BY VJ	DATE 05/05/2022		DATE 05-03-1988	
REQUEST NUMBER DESCRIPTION OUTLINE DRAWING IS UPDATED WITH NEW FRAME.				APPROVED BY ML	DESCRIPTION OUTLINE
COPYRIGHT (PER REVISION DATE) REGAL BELOIT AMERICA, INC. ALL RIGHTS RESERVED. PROPRIETARY AND CONFIDENTIAL INFORMATION - THIS DOCUMENT IS THE PROPERTY OF REGAL BELOIT AMERICA, INC. ("OWNER") AND CONTAINS OWNER'S PROPRIETARY INFORMATION. ANY PERSON, CORPORATION OR OTHER FIRM RECEIVING IT IS DEEMED, BY RECEIVING IT, TO AGREE THAT IT, AND/OR ANY PART OF IT, SHALL NOT BE DISCLOSED TO ANY PERSON, CORPORATION OR OTHER ENTITY, DUPLICATED, AND/OR USED, EXCEPT AS EXPRESSLY APPROVED IN WRITING IN ADVANCE BY OWNER. THIS DOCUMENT SHALL BE RETURNED TO OWNER UPON REQUEST. IT MAY BE SUBJECT TO CERTAIN RESTRICTIONS UNDER APPLICABLE EXPORT CONTROL LAWS AND REGULATIONS.				DATE 06-03-1988	360TS FR-TEFC-TAPPED LEAD HOLE
				REFERENCE	MATERIAL
				THIRD ANGLE PROJECTION	PROCESS/FINISH
				SIZE B	DRAWING NUMBER SS508654
					SHEET 1 OF 1

LOW VOLTAGE



HIGH VOLTAGE



VIEW OF TERMINAL END

			TOLERANCES UNLESS SPECIFIED		 REGAL - BELOIT CORPORATION	DRAWN PGK 06-04-1997			
NO.	REVISION	BY & DATE	CHK	ANG		±	INCHES	SCALE	PREV
E	CORRECTED IEC MARKINGS ECD-0111208	WGJ 01-23-2017	EMH	DEC.				CHK ML 06-05-1997	
D	RE-DRAWN WITH REGAL LOGO ECD-0110493	WGJ 09-30-2016	EMH	.X	±.1			APPD GK 06-15-1997	
8	ADDED IEC DESIGNATIONS MU95020	TJW 4/30/2010	MJS	.XX	±.02		TITLE CONNECTION DIAGRAM		
7	REVISED HIGH VOLTAGE L2 WAS L3 CN52600-354	MRB 09-21-1998		.XXX	±.005		TITLE DELTA CON. - 3Ø - 9 LEADS	REF	
6	REDRAWN ON CADD	PGK 06-05-1997		.XXXX	±.0005		MAT'L.	FMF	
					±7'30"		FINISH		
THIS DRAWING IN DESIGN AND DETAIL IS OUR PROPERTY AND MUST NOT BE USED EXCEPT IN CONNECTION WITH OUR WORK ALL RIGHTS OF DESIGN AND INVENTION ARE RESERVED THIS IS AN ELECTRONICALLY GENERATED DOCUMENT - DO NOT SCALE THIS PRINT			RFP	CAD FILE EE7308K			SIZE	DRAWING NO. PAGE OF	REV.
			DIST				A	EE7308K	E