

PRODUCT INFORMATION PACKET

Model No: 364TSTFCD6036

Catalog No: GT1061

Globetrotter® General Purpose Motor, 60 & 50 HP, 3 Ph, 60 & 50 Hz, 230/460 & 190/380 V,
1800 & 1500 RPM, 364TS Frame, TEFC



Regal and Marathon are trademarks of Regal Rexnord Corporation or one of its affiliated companies.
©2024 Regal Rexnord Corporation, All Rights Reserved. MC017097E

Nameplate Specifications

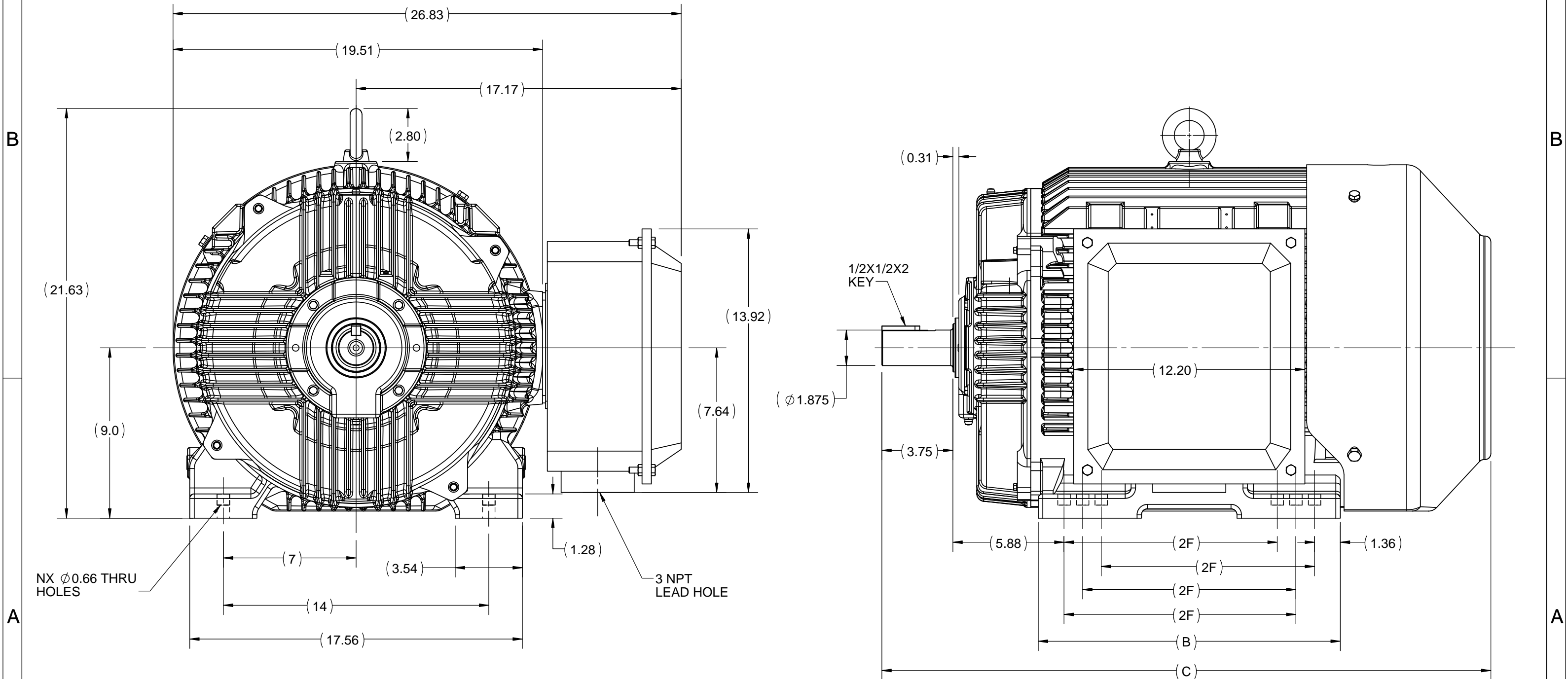
| | | | |
|------------------------|------------------------------|----------------------------|------------------------------------|
| Phase | 3 | Output HP | 60 & 50 Hp |
| Output KW | 45.0 & 37.0 kW | Voltage | 230/460 & 190/380 V |
| Speed | 1780 & 1480 rpm | Service Factor | 1.15 & 1.15 |
| Frame | 364TS | Enclosure | Totally Enclosed Fan Cooled |
| Thermal Protection | No Protection | Efficiency | 95 & 94.2 % |
| Ambient Temperature | 40 °C | Frequency | 60 & 50 Hz |
| Current | 136/68 & 138/69 A | Power Factor | 87.2 |
| Duty | Continuous | Insulation Class | F |
| Design Code | B | KVA Code | G |
| Drive End Bearing Size | 6313 | Opp Drive End Bearing Size | 6213 |
| UL | Listed | CSA | Y |
| CE | Y | IP Code | 55 |
| Number of Speeds | 1 | Hazardous Location | DIVISION 2 T2B |

Technical Specifications

| | | | |
|-----------------------|-------------------------------------|-----------------------|---|
| Electrical Type | Squirrel Cage Inverter Rated | Starting Method | Part Wdg Start Low Volt Only & Wye Start Delta Run Or Inverter |
| Poles | 4 | Rotation | Reversible |
| Resistance Main | .104 Ohms | Mounting | Rigid Base |
| Motor Orientation | Horizontal | Drive End Bearing | Ball |
| Opp Drive End Bearing | Ball | Frame Material | Cast Iron |
| Shaft Type | TS | Overall Length | 31.19 in |
| Frame Length | 15.74 in | Shaft Diameter | 1.875 in |
| Shaft Extension | 3.75 in | Assembly/Box Mounting | F1/F2 CAPABLE |
| Inverter Load | CONSTANT 2:1/VARIABLE 10:1 | | |
| Connection Drawing | EE7308AA | Outline Drawing | SS556998-100 |

This is an uncontrolled document once printed or downloaded and is subject to change without notice. Date Created:10/18/2024

OUTLINE



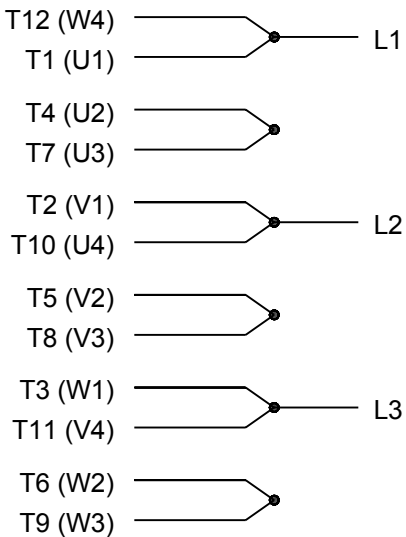
| | | | | |
|-------|-------|-------|-------|----|
| 365TS | 15.94 | 32.17 | 12.25 | 12 |
| 364TS | 14.96 | 31.19 | 11.25 | 8 |
| FRAME | B | C | 2F | N |

| | | |
|--|--------------------|------------------|
| DRAWING REVISION A | REVISION BY NIV | DATE 31/01/17 |
| ECO ECO-0116959 | APPROVED BY SBD | DATE 31/01/17 |
| ECO DESCRIPTION NEW OUTLINE RELEASE COPYRIGHT REGAL BELOIT AMERICA, INC. ALL RIGHTS RESERVED. PROPRIETARY AND CONFIDENTIAL INFORMATION - THIS DOCUMENT IS THE PROPERTY OF REGAL BELOIT AMERICA, INC. ("OWNER") AND CONTAINS OWNER'S PROPRIETARY INFORMATION. ANY PERSON, CORPORATION OR OTHER FIRM RECEIVING IT IS DEEMED, BY RECEIVING IT, TO AGREE THAT IT, AND/OR ANY PART OF IT, SHALL NOT BE DISCLOSED TO ANY PERSON, CORPORATION OR OTHER ENTITY, DUPLICATED, AND/OR USED, EXCEPT AS EXPRESSLY APPROVED IN WRITING IN ADVANCE BY OWNER. THIS DOCUMENT SHALL BE RETURNED TO OWNER UPON REQUEST. IT MAY BE SUBJECT TO CERTAIN RESTRICTIONS UNDER APPLICABLE EXPORT CONTROL LAWS AND REGULATIONS. | | |

| | |
|------------------------|--|
| DRAWN BY NIV | REGAL ™ Regal Beloit America, Inc. |
| DATE 25/12/2016 | |
| APPROVED BY SBD | DESCRIPTION OUTLINE 360TS FR-TEFC |
| DATE 25/12/2016 | MATERIAL |
| REFERENCE | PROCESS/FINISH |
| THIRD ANGLE PROJECTION | SIZE B |
| | DRAWING NUMBER SS556998F |
| | SHEET 1 OF 1 |



LOW VOLTAGE



HIGH VOLTAGE



VIEW OF TERMINAL END

| | | |
|--|------------------------------|---------------------------|
| DRAWING REVISION K | REVISION BY AJW | DATE 07-17-2015 |
| ECO ECO-0081632 | APPROVED BY T. VUE | DATE 07-17-2015 |
| ECO DESCRIPTION REV'D IEC MARKINGS PER IEC 60034-8 | | |
| COPYRIGHT REGAL BELOIT AMERICA, INC. ALL RIGHTS RESERVED. PROPRIETARY AND CONFIDENTIAL INFORMATION - THIS DOCUMENT IS THE PROPERTY OF REGAL BELOIT AMERICA, INC. ("OWNER") AND CONTAINS OWNER'S PROPRIETARY INFORMATION. ANY PERSON, CORPORATION OR OTHER FIRM RECEIVING IT IS DEEMED, BY RECEIVING IT, TO AGREE THAT IT, AND/OR ANY PART OF IT, SHALL NOT BE DISCLOSED TO ANY PERSON, CORPORATION OR OTHER ENTITY, DUPLICATED, AND/OR USED, EXCEPT AS EXPRESSLY APPROVED IN WRITING IN ADVANCE BY OWNER. THIS DOCUMENT SHALL BE RETURNED TO OWNER UPON REQUEST. IT MAY BE SUBJECT TO CERTAIN RESTRICTIONS UNDER APPLICABLE EXPORT CONTROL LAWS AND REGULATIONS. | | |



| | | |
|---------------------------|---|-----------------------------------|
| DRAWN BY LZ | Regal Beloit America, Inc. | |
| DATE 01-12-1994 | | |
| APPROVED BY GK | DESCRIPTION CONN DIAGRAM-EXTERNAL 3Ø-2/1 DELTA-12 LEADS | |
| DATE 01-14-1994 | | |
| REFERENCE | MATERIAL | PROCESS/FINISH |
| THIRD ANGLE PROJECTION | SIZE A | DRAWING NUMBER EE7308AA |
| | | SHEET 1 OF 1 |



**P.O. BOX 8003
WAUSAU, WI 54401-8003
PH. 715-675-3311**

CERTIFICATION DATA SHEET

CUSTOMER:

CUSTOMER

ORDER #:

PO#:

CONN. DIAGRAM: EE7308AA

MODEL #: 364TSTFCD6036 AA

CUSTOMER PART

OUTLINE: SS556998-364TS

#:

WINDING #: HE32254010 2

MOUNTING: F1/F2 CAPABLE

TYPICAL MOTOR PERFORMANCE DATA

| HP | kW | SYNC. RPM | F.L. RPM | FRAME | ENCLOSURE | KVA CODE | DESIGN |
|-------|-----------|-----------|-----------|-------|-----------|----------|--------|
| 60&50 | 45.0&37.0 | 1800 | 1782&1480 | 364TS | TEFC | G | B |

| PH | Hz | VOLTS | AMPS | START TYPE | DUTY | INSL | S.F. | AMB°C |
|----|-------|-----------------|---------------|----------------------|------------|------|-----------|-------|
| 3 | 60/50 | 230/460&190/380 | 138/69&140/70 | Y START D RUN OR INV | CONTINUOUS | F7 | 1.15/1.15 | 40 |

| FULL LOAD EFF: | 95&94.5 | 3/4 LOAD EFF: | 95.4 | 1/2 LOAD EFF: | 95 | GTD. EFF | ELEC. TYPE |
|----------------|-----------|---------------|------|---------------|------|----------|-------------------|
| FULL LOAD PF: | 85.5&85.5 | 3/4 LOAD PF: | 83 | 1/2 LOAD PF: | 75.5 | 94.5 | SQ CAGE INV RATED |

| F.L. TORQUE | LOCKED ROTOR AMPS | L.R. TORQUE | B.D. TORQUE | F.L. RISE°C |
|-------------|-------------------|-----------------|-----------------|-------------|
| 177 LB-FT | 870 / 435 | 354 LB-FT 200 % | 451 LB-FT 255 % | 55 |

| SOUND PRESSURE @ 3 FT. | SOUND POWER | ROTOR WK^2 | MAX. WK^2 | SAFE STALL TIME | STARTS / HOUR | APPROX. MOTOR WGT |
|------------------------|-------------|--------------|-----------|-----------------|---------------|-------------------|
| 70 dBA | 80 dBA | 17.2 LB-FT^2 | - LB-FT^2 | 25 SEC. | 2 | 904 LBS. |

***** SUPPLEMENTAL INFORMATION *****

| DE BRACKET TYPE | ODE BRACKET TYPE | MOUNT TYPE | ORIENTATION | SEVERE DUTY | HAZARDOUS LOCATION | DRIP COVER | SCREENS | PAINT |
|-----------------|------------------|------------|-------------|-------------|--------------------|------------|---------|--------------|
| STANDARD | STANDARD | RIGID | HORIZONTAL | FALSE | DIVISION 2 T2B | FALSE | NONE | BLUE (EPOXY) |

| BEARINGS | | GREASE | SHAFT TYPE | SPECIAL DE | SPECIAL ODE | SHAFT MATERIAL | FRAME MATERIAL |
|----------|------|------------|------------|------------|-------------|-------------------------|----------------|
| DE | ODE | | | | | | |
| BALL | BALL | POLYREX EM | TS | NONE | NONE | 1045 HOT ROLLED (C-204) | CAST IRON |
| 6313 | 6212 | | | | | | |

| THERMO-PROTECTORS | | | | THERMISTORS | CONTROL | SPACE HEATERS |
|-------------------|------------|----------|----------|-------------|---------|---------------|
| THERMOSTATS | PROTECTORS | WDG RTDs | BRG RTDs | | | |
| NONE | NOT | NONE | NONE | NONE | FALSE | NONE VOLTS |

*
N
O
T
E
S
*

| |
|--|
| INVERTER TORQUE: CONSTANT 20:1/VARIABLE 20:1 |
| INV. HP SPEED RANGE: NONE |
| ENCODER: NONE NONE NONE NONE NONE PPR |
| BRAKE: NONE NONE NONE P/N NONE NONE NONE NONE FT-LB NONE V NONE Hz |

PREPARED BY: Anusha Muthyala
DATE: 09/24/2019 01:56:24 AM
FORM 3531 REV.3 02/07/99
** Subject to change without notice.

MARATHON ELECTRIC CORPORATION

TYPICAL PERFORMANCE CURVE for AC MOTOR

Customer

Curve at

460

Volts

HP 60&50

PHASE 3

Model No 364TSTFC6036

60

HZ

VOLTS 230/460&190/380

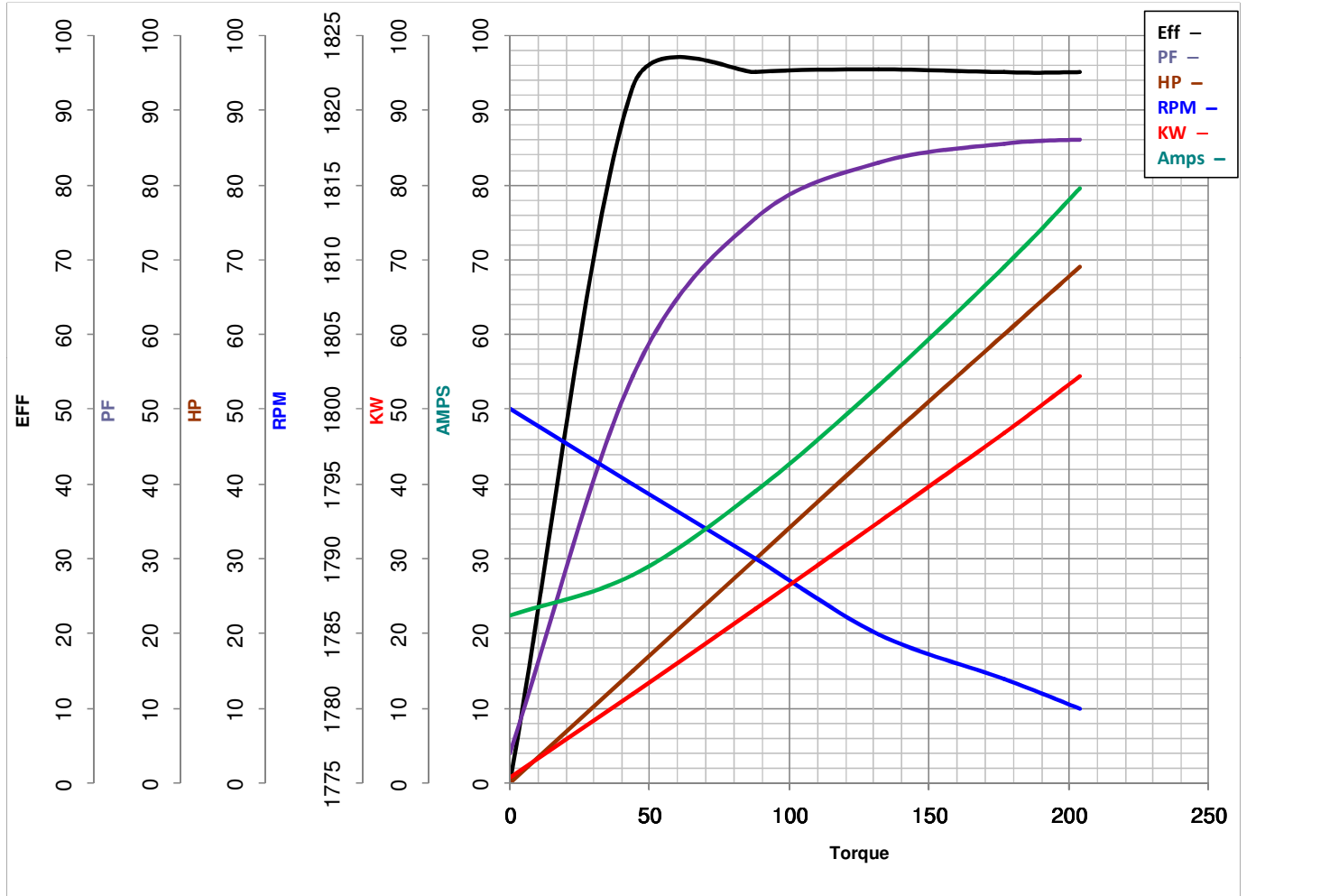
60

HP

Catalog No GT1061

HZ 60&50

RPM 1782&1480



Torque in Lb.Ft

FL TORQUE 177 Lb.Ft
 BD TORQUE 451.0 Lb.Ft
 LR TORQUE 354 Lb.Ft

FL AMPS 138/69
 PU TORQUE 297.0 Lb.Ft
 LR AMPS 435

WINDING HE32254010-2 Prepared By ANUSHA M

Date 5/4/2018

EC Declaration of Conformity

The undersigned representing
the manufacturer:

Regal Beloit America
100 East Randolph St.
Wausau, WI 54401

and the authorized representative
established within the Community:

Marathon Electric UK
6F Thistleton Road Ind. Estate
Market Overton
Oakham, Rutland LE15 7PP UK

are committed to providing customers with products that comply with applicable regulations and international protocols to which they are subject, including the requirements of the European Parliament Directive on the Harmonization of the laws relating to electrical equipment designed for use within certain voltage limits (2014/35/EU).

Regal Beloit America declares that the following product(s), to which this declaration relates, are in conformity with the relevant sections of the EC standards listed below.

This statement supersedes any statements previously issued pertaining to the product(s) listed below and is subject to change without notice.

Model No : 364TSTFCD6036

(Model No. may contain prefix and/or suffix characters)

Catalog No : GT1061

Rework No : N/A

Directives :

Low Voltage Directive 2014/35/EU

Harmonized Standards Used :

EN 60034-1: 2010 (IEC 60034-1: 2010)

EN 60034-5: 2001/A1:2007 (IEC 60034-5: 2000/A1:2006)

Authorized Representative:



Michael A. Logsdon
Vice President, Technology

Authorized Representative in the Community:



Julian Clark
Marketing Engineer

Created on 09/01/2022

CE 22