

PRODUCT INFORMATION PACKET

marathon®
Motors

Model No: 364TSTDS4355

Catalog No: U448

General Purpose Motor, 60 & 50 HP, 3 Ph, 60 & 50 Hz, 230/460 & 190/380 V, 1800 & 1500 RPM,
364TSC Frame, DP



Regal and Marathon are trademarks of Regal Rexnord Corporation or one of its affiliated companies.
©2023 Regal Rexnord Corporation, All Rights Reserved. MC017097E

RegalRexnord

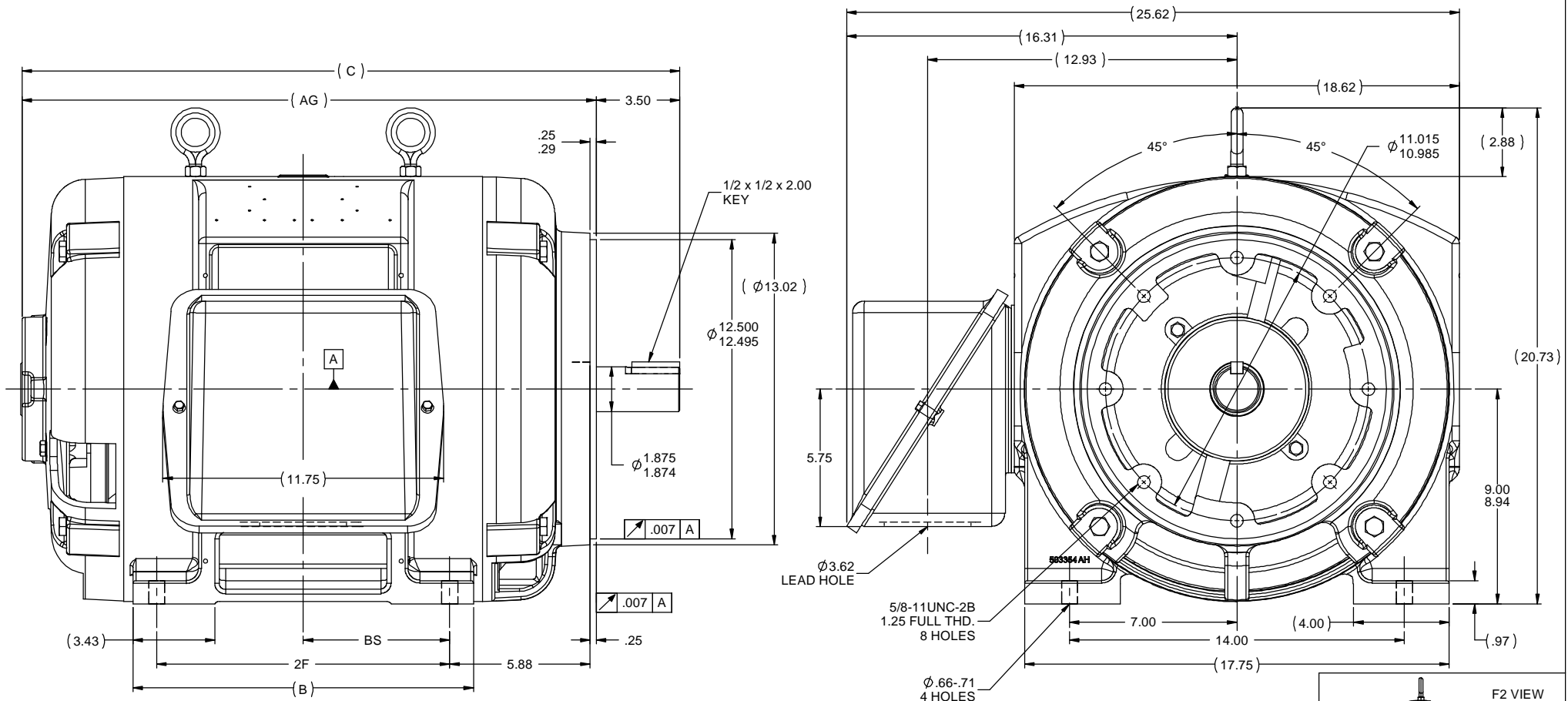


Nameplate Specifications

Phase	3	Output HP	60 & 50 Hp
Output KW	45.0 & 37.0 kW	Voltage	230/460 & 190/380 V
Speed	1780 & 1478 rpm	Service Factor	1.15 & 1.15
Frame	364TSC	Enclosure	Drip Proof
Thermal Protection	No Protection	Efficiency	93.6 & 93 %
Ambient Temperature	40 °C	Frequency	60 & 50 Hz
Current	144/72 & 146/73 A	Power Factor	83.5
Duty	Continuous	Insulation Class	B
Design Code	B	KVA Code	F
Drive End Bearing Size	6312	Opp Drive End Bearing Size	6312
UL	Recognized	CSA	Y
CE	Y	IP Code	12
Number of Speeds	1		

Technical Specifications

Electrical Type	Squirrel Cage Induction Run	Starting Method	Part Wdg Start Low Volt Only & Wye Start Delta Run
Poles	4	Rotation	Reversible
Resistance Main	.115 Ohms	Mounting	Rigid Base
Motor Orientation	Horizontal	Drive End Bearing	Ball
Opp Drive End Bearing	Ball	Frame Material	Cast Iron
Shaft Type	TS	Overall Length	26.50 in
Frame Length	14.00 in	Shaft Diameter	1.875 in
Shaft Extension	3.75 in	Assembly/Box Mounting	F1/F2 CAPABLE
Outline Drawing	B-SS508618-1400	Connection Drawing	A-EE7308AA



- NOTES:
 1. CONDUIT BOX CAN BE ROTATED IN 90° STEPS.
 2. CONDUIT BOX CAN BE MOUNTED ON OPPOSITE SIDE BY REMOVING BRACKETS AND TURNING FRAME 180°.
 3. NAMEPLATES TO BE READ FROM CONDUIT BOX SIDE OF MOTOR.

(B-SS509469)



DRAWN TLB 02-04-1988
 CHK FG 02-04-1988
 APPR ML 02-04-1988

NO		REVISION	BY & DATE	CHK	ANG	±7°30"	FINISH	PAGE OF	
8	MODELED IN SOLIDWORKS & ADDED F2 VIEW MU 97811	JJB 11/2/2010		X	±.1				
7	UPDATED FRAME & CONDUIT BOX CN 24390	KL 4/4/2005		XX	±.03		TITLE OUTLINE	SCALE 1:4	
6	REDRAWN IN AUTOCAD	TAT 6/29/2004		ML	±.005		360TSC FR. - DR. PR. - C'FACE	REF	
5	REDRAWN ON CAD	TLB 2/4/1988		XXXX	±.0005		MATL	FMF	
								PAGE OF	

DASH	FRAME	B	C	AG	2F	BS
1400	364TSC	13.25	26.50	23.00	11.25	5.62
1500	365TSC	14.25	27.50	24.00	12.25	6.12



RFP 02-04-1988 PREV
 NETWORK FILE NAME SS508618

SIZE **B** DRAWING NO **SS508618** REV **8**



LOW VOLTAGE



HIGH VOLTAGE



VIEW OF TERMINAL END

DRAWING REVISION K	REVISION BY AJW	DATE 07-17-2015
ECO ECO-0081632	APPROVED BY T. VUE	DATE 07-17-2015
ECO DESCRIPTION REV'D IEC MARKINGS PER IEC 60034-8		
<small>COPYRIGHT REGAL BELOIT AMERICA, INC. ALL RIGHTS RESERVED. PROPRIETARY AND CONFIDENTIAL INFORMATION - THIS DOCUMENT IS THE PROPERTY OF REGAL BELOIT AMERICA, INC. ("OWNER") AND CONTAINS OWNER'S PROPRIETARY INFORMATION. ANY PERSON, CORPORATION OR OTHER FIRM RECEIVING IT IS DEEMED, BY RECEIVING IT, TO AGREE THAT IT, AND/OR ANY PART OF IT, SHALL NOT BE DISCLOSED TO ANY PERSON, CORPORATION OR OTHER ENTITY, DUPLICATED, AND/OR USED, EXCEPT AS EXPRESSLY APPROVED IN WRITING IN ADVANCE BY OWNER. THIS DOCUMENT SHALL BE RETURNED TO OWNER UPON REQUEST. IT MAY BE SUBJECT TO CERTAIN RESTRICTIONS UNDER APPLICABLE EXPORT CONTROL LAWS AND REGULATIONS.</small>		



DRAWN BY LZ	Regal Beloit America, Inc.	
DATE 01-12-1994		
APPROVED BY GK	DESCRIPTION CONN DIAGRAM-EXTERNAL 3Ø-2/1 DELTA-12 LEADS	
DATE 01-14-1994		
REFERENCE	MATERIAL	PROCESS/FINISH
THIRD ANGLE PROJECTION	SIZE A	DRAWING NUMBER EE7308AA
		SHEET 1 OF 1