

PRODUCT INFORMATION PACKET

marathon®
Motors

Model No: 364TSTDBD6060

Catalog No: GT0082

Globetrotter® General Purpose Motor, 60 & 50 HP, 3 Ph, 60 & 50 Hz, 230/460 & 190/380 V,
1800 & 1500 RPM, 364TS Frame, DP



Regal and Marathon are trademarks of Regal Rexnord Corporation or one of its affiliated companies.

©2024 Regal Rexnord Corporation, All Rights Reserved. MC017097E

RegalRexnord

Nameplate Specifications

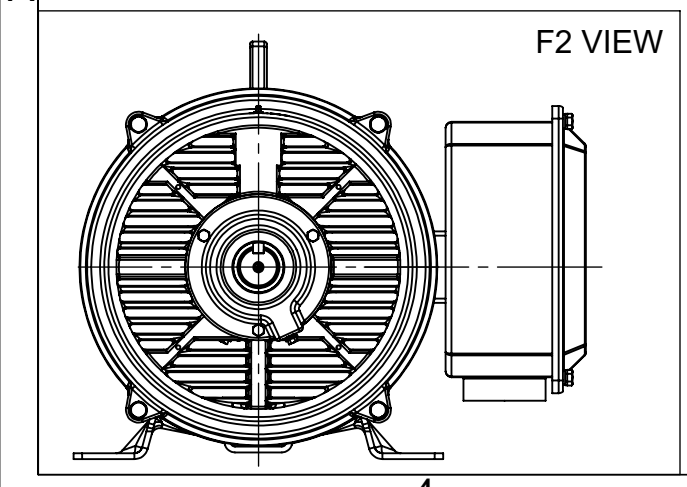
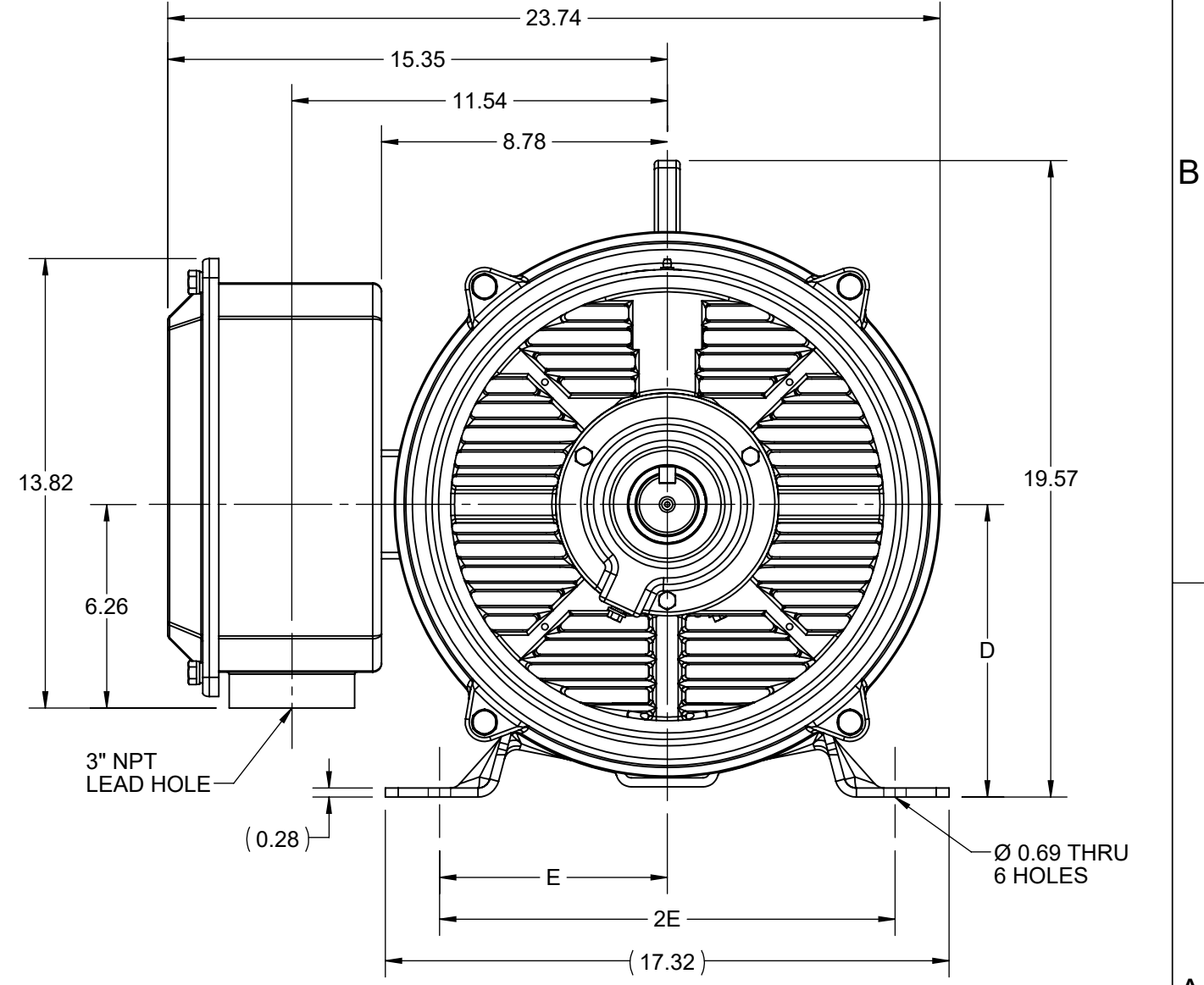
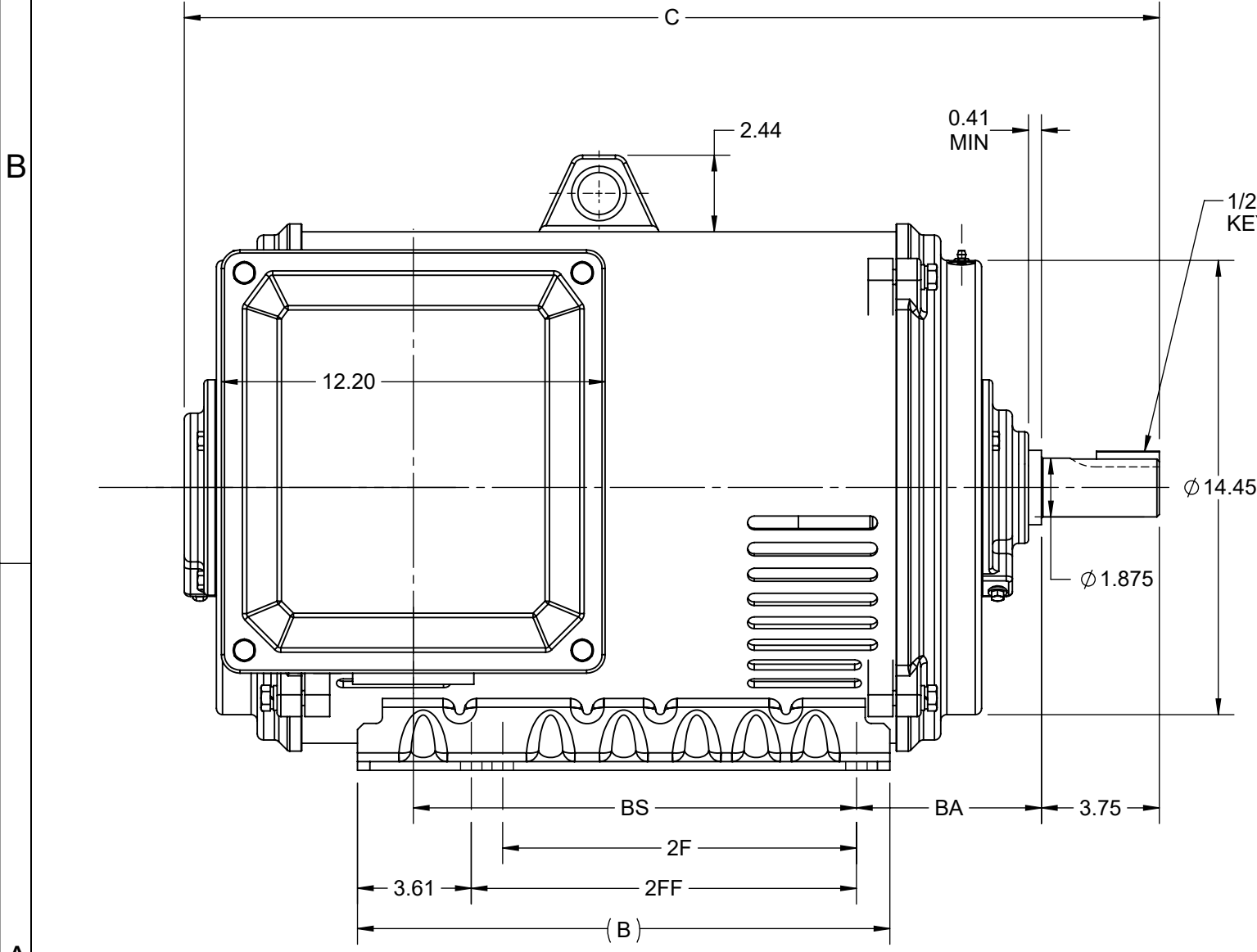
| | | | |
|------------------------|--------------------------------|----------------------------|--------------------------------|
| Phase | 3 | Output HP | 60 & 50 Hp |
| Output KW | 45.0 & 37.0 kW | Voltage | 230/460 & 190/380 V |
| Speed | 1785 & 1485 rpm | Service Factor | 1.15 & 1.15 |
| Frame | 364TS | Enclosure | Drip Proof |
| Thermal Protection | No Protection | Efficiency | 95 & 94.2 % |
| Ambient Temperature | 40 °C | Frequency | 60 & 50 Hz |
| Current | 138/69 & 139/69.5 A | Power Factor | 86.2 |
| Duty | Continuous | Insulation Class | F |
| Design Code | B | KVA Code | G |
| Drive End Bearing Size | 6314 | Opp Drive End Bearing Size | 6313 |
| UL | Recognized | CSA | Y |
| CE | Y | IP Code | 22 |
| Number of Speeds | 1 | | |

Technical Specifications

| | | | |
|-----------------------|-------------------------------------|-----------------------|---|
| Electrical Type | Squirrel Cage Inverter Rated | Starting Method | Part Wdg Start Low Volt Only & Wye Start Delta Run Or Inverter |
| Poles | 4 | Rotation | Reversible |
| Resistance Main | .117 Ohms | Mounting | Rigid Base |
| Motor Orientation | Horizontal | Drive End Bearing | Ball |
| Opp Drive End Bearing | Ball | Frame Material | Rolled Steel |
| Shaft Type | TS | Overall Length | 29.57 in |
| Frame Length | 17.32 in | Shaft Diameter | 1.875 in |
| Shaft Extension | 3.75 in | Assembly/Box Mounting | F1/F2 CAPABLE |
| Inverter Load | VARIABLE 10:1 | | |
| Outline Drawing | SS620748-100 | Connection Drawing | EE7308AA |

This is an uncontrolled document once printed or downloaded and is subject to change without notice. Date Created:10/18/2024

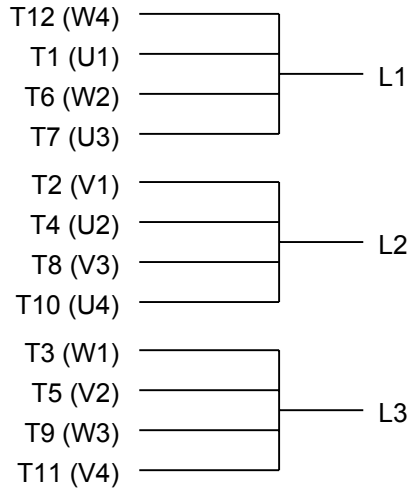
| DASH NO. | B | C | D | E | 2E | 2F | 2FF | BA | BS | MOUNTING | FRAME |
|----------|-------|-------|------|------|-------|-------|-------|------|-------|----------|-------|
| 100 | 16.93 | 29.44 | 9.00 | 7.00 | 14.00 | 11.25 | 12.25 | 5.88 | 12.52 | F1 OR F2 | 364TS |
| 200 | | 31.01 | | | | | | | 14.09 | | 365TS |



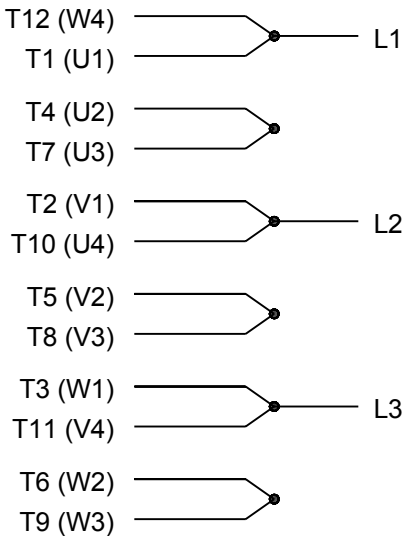
| | | |
|---|--------------------|-------------------------------|
| DRAWING REVISION C | REVISION BY RAM | REV DATE/© DATE 01/02/2022 |
| REQUEST NUMBER CR-0006669 | APPROVED BY SBD | DATE 01/02/2022 |
| REQUEST NUMBER DESCRIPTION VIEWS UPDATED AS PER 3D | | |
| <small>COPYRIGHT (PER REVISION DATE) REGAL BELOIT AMERICA, INC. ALL RIGHTS RESERVED. PROPRIETARY AND CONFIDENTIAL INFORMATION - THIS DOCUMENT IS THE PROPERTY OF REGAL BELOIT AMERICA, INC. ("OWNER") AND CONTAINS OWNER'S PROPRIETARY INFORMATION. ANY PERSON, CORPORATION OR OTHER FIRM RECEIVING IT IS DEEMED, BY RECEIVING IT, TO AGREE THAT IT, AND/OR ANY PART OF IT, SHALL NOT BE DISCLOSED TO ANY PERSON, CORPORATION OR OTHER ENTITY, DUPLICATED, AND/OR USED, EXCEPT AS EXPRESSLY APPROVED IN WRITING IN ADVANCE BY OWNER. THIS DOCUMENT SHALL BE RETURNED TO OWNER UPON REQUEST. IT MAY BE SUBJECT TO CERTAIN RESTRICTIONS UNDER APPLICABLE EXPORT CONTROL LAWS AND REGULATIONS.</small> | | |

PRIMARY DIMENSIONS ARE INCH
mm DIMENSIONS IN [BRACKETS]
ARE FOR REFERENCE ONLY

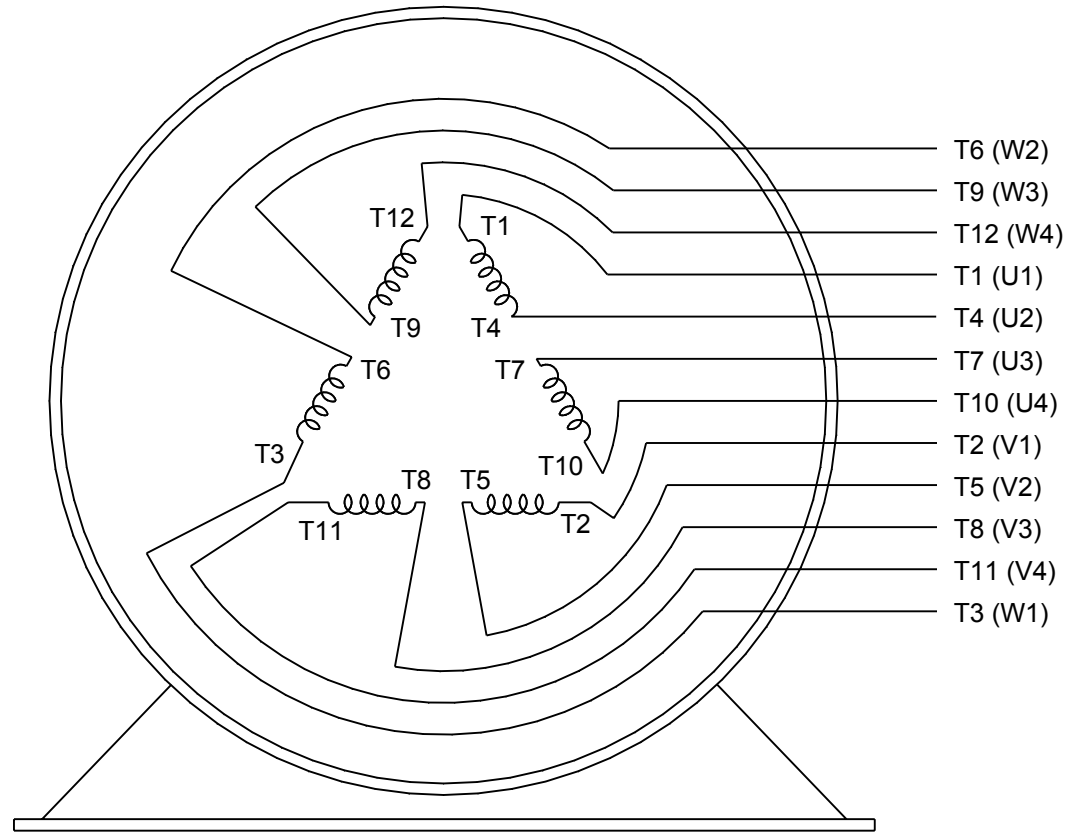
| | | |
|-------------------------|---|-----------------------------------|
| DRAWN BY ZHU XIAOWEI | Regal Rexnord Regal Beloit America, Inc. | |
| DATE 27/04/2021 | DESCRIPTION | |
| APPROVED BY | OUTLINE | |
| DATE | 364/365TS FR NEMA ODP RS | |
| REFERENCE | MATERIAL | PROCESS/FINISH |
| THIRD ANGLE PROJECTION | SIZE B | DRAWING NUMBER SS620748 |
| | | SHEET 1 OF 1 |



LOW VOLTAGE

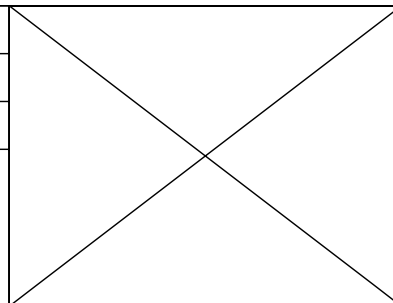


HIGH VOLTAGE



VIEW OF TERMINAL END

| | | |
|---|------------------------------|---------------------------|
| DRAWING REVISION K | REVISION BY AJW | DATE 07-17-2015 |
| ECO ECO-0081632 | APPROVED BY T. VUE | DATE 07-17-2015 |
| ECO DESCRIPTION REV'D IEC MARKINGS PER IEC 60034-8 | | |
| <small>COPYRIGHT REGAL BELOIT AMERICA, INC. ALL RIGHTS RESERVED. PROPRIETARY AND CONFIDENTIAL INFORMATION - THIS DOCUMENT IS THE PROPERTY OF REGAL BELOIT AMERICA, INC. ("OWNER") AND CONTAINS OWNER'S PROPRIETARY INFORMATION. ANY PERSON, CORPORATION OR OTHER FIRM RECEIVING IT IS DEEMED, BY RECEIVING IT, TO AGREE THAT IT, AND/OR ANY PART OF IT, SHALL NOT BE DISCLOSED TO ANY PERSON, CORPORATION OR OTHER ENTITY, DUPLICATED, AND/OR USED, EXCEPT AS EXPRESSLY APPROVED IN WRITING IN ADVANCE BY OWNER. THIS DOCUMENT SHALL BE RETURNED TO OWNER UPON REQUEST. IT MAY BE SUBJECT TO CERTAIN RESTRICTIONS UNDER APPLICABLE EXPORT CONTROL LAWS AND REGULATIONS.</small> | | |



| | | |
|---------------------------|--|-----------------------------------|
| DRAWN BY LZ | Regal Beloit America, Inc. | |
| DATE 01-12-1994 | | |
| APPROVED BY GK | DESCRIPTION CONN DIAGRAM-EXTERNAL 3Ø-2/1 DELTA-12 LEADS | |
| DATE 01-14-1994 | | |
| REFERENCE | MATERIAL | PROCESS/FINISH |
| THIRD ANGLE PROJECTION | SIZE A | DRAWING NUMBER EE7308AA |
| | | SHEET 1 OF 1 |



**P.O. BOX 8003
WAUSAU, WI 54401-8003
PH. 715-675-3311**

CERTIFICATION DATA SHEET

CUSTOMER:

CUSTOMER

ORDER #:

PO#:

CONN. DIAGRAM: EE7308AA

MODEL #: 364TSTDBD6060 AA

CUSTOMER PART

OUTLINE: SS620748-364TS

#:

WINDING #: HE32254014 2

MOUNTING: F1/F2 CAPABLE

TYPICAL MOTOR PERFORMANCE DATA

| HP | kW | SYNC. RPM | F.L. RPM | FRAME | ENCLOSURE | KVA CODE | DESIGN |
|-------|-----------|-----------|-----------|-------|-----------|----------|--------|
| 60&50 | 45.0&37.0 | 1800 | 1782&1482 | 364TS | DP | G | B |

| PH | Hz | VOLTS | AMPS | START TYPE | DUTY | INSL | S.F. | AMB°C |
|----|-------|-----------------|-------------------|----------------------|------------|------|-----------|-------|
| 3 | 60/50 | 230/460&190/380 | 139/69.5&135/67.5 | Y START D RUN OR INV | CONTINUOUS | F7 | 1.15/1.15 | 40 |

| FULL LOAD EFF: | 95&94.5 | 3/4 LOAD EFF: | 95 | 1/2 LOAD EFF: | 94.5 | GTD. EFF | ELEC. TYPE |
|----------------|---------|---------------|----|---------------|------|----------|-------------------|
| FULL LOAD PF: | 85&85.5 | 3/4 LOAD PF: | 81 | 1/2 LOAD PF: | 72 | 94.5 | SQ CAGE INV RATED |

| F.L. TORQUE | LOCKED ROTOR AMPS | L.R. TORQUE | B.D. TORQUE | F.L. RISE°C |
|-------------|-------------------|-----------------|-----------------|-------------|
| 177 LB-FT | 870 / 435 | 285 LB-FT 160 % | 400 LB-FT 230 % | 30 |

| SOUND PRESSURE @ 3 FT. | SOUND POWER | ROTOR WK^2 | MAX. WK^2 | SAFE STALL TIME | STARTS / HOUR | APPROX. MOTOR WGT |
|------------------------|-------------|--------------|-----------|-----------------|---------------|-------------------|
| 70 dBA | 80 dBA | 16.5 LB-FT^2 | - LB-FT^2 | 25 SEC. | 2 | 738 LBS. |

***** SUPPLEMENTAL INFORMATION *****

| DE BRACKET TYPE | ODE BRACKET TYPE | MOUNT TYPE | ORIENTATION | SEVERE DUTY | HAZARDOUS LOCATION | DRIP COVER | SCREENS | PAINT |
|-----------------|------------------|------------|-------------|-------------|--------------------|------------|---------|--------------|
| STANDARD | STANDARD | RIGID | HORIZONTAL | FALSE | NONE | FALSE | NONE | BLUE (EPOXY) |

| BEARINGS | | GREASE | SHAFT TYPE | SPECIAL DE | SPECIAL ODE | SHAFT MATERIAL | FRAME MATERIAL |
|----------|------|------------|------------|------------|-------------|-------------------------|----------------|
| DE | ODE | | | | | | |
| BALL | BALL | POLYREX EM | TS | NONE | NONE | 1045 HOT ROLLED (C-204) | ROLLED STEEL |
| 6314 | 6313 | | | | | | |

| THERMO-PROTECTORS | | | | THERMISTORS | CONTROL | SPACE HEATERS |
|-------------------|------------|----------|----------|-------------|---------|---------------|
| THERMOSTATS | PROTECTORS | WDG RTDs | BRG RTDs | | | |
| NONE | NOT | NONE | NONE | NONE | FALSE | NONE VOLTS |

*
N
O
T
E
S
*

| |
|--|
| INVERTER TORQUE: VARIABLE 10:1 |
| INV. HP SPEED RANGE: NONE |
| ENCODER: NONE NONE NONE NONE NONE PPR |
| BRAKE: NONE NONE NONE P/N NONE NONE NONE NONE FT-LB NONE V NONE Hz |

PREPARED BY: Anusha Muthyala
DATE: 09/24/2019 01:53:45 AM
FORM 3531 REV.3 02/07/99
** Subject to change without notice.

Data Sheet

Date: 12/1/2021
 Customer: _____
 Attention: _____
 Submitted by: _____



364TSTDBD6060

Submittal

Data @ 460 V

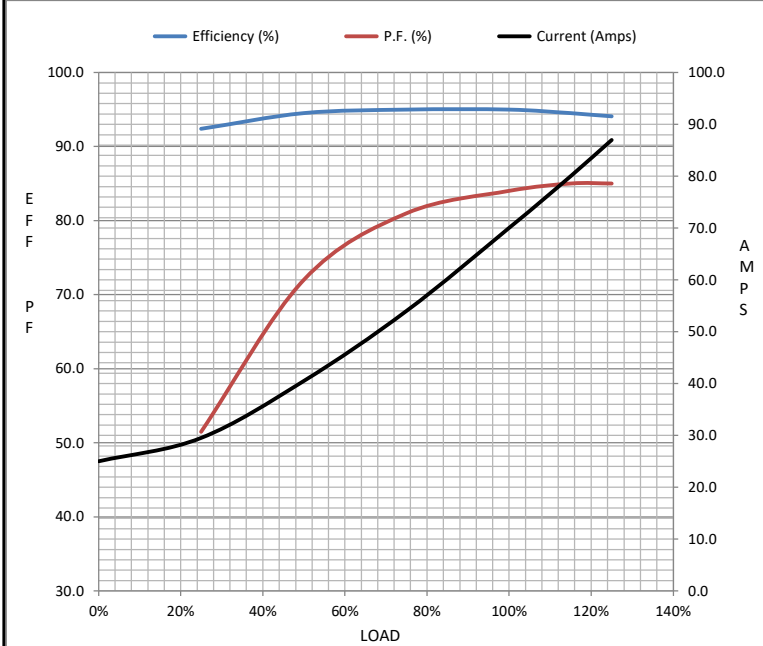
Motor Load Data

| Load | 0% | 25% | 50% | 75% | 100% | 115% | 125% | LR |
|----------------|------|------|------|------|------|-------|------|------|
| Current (Amps) | 25.0 | 29.5 | 40.5 | 54.0 | 70.0 | 80.0 | 87.0 | 435 |
| Torque (ft-lb) | 0.00 | 44.0 | 88.0 | 132 | 177 | 204 | 222 | 285 |
| RPM | 1800 | 1795 | 1790 | 1785 | 1782 | 1,780 | 1775 | 0 |
| Efficiency (%) | | 92.4 | 94.5 | 95.0 | 95.0 | 94.5 | 94.1 | |
| P.F. (%) | 4.0 | 51.5 | 72.0 | 81.0 | 84.0 | 85.0 | 85.0 | 32.0 |

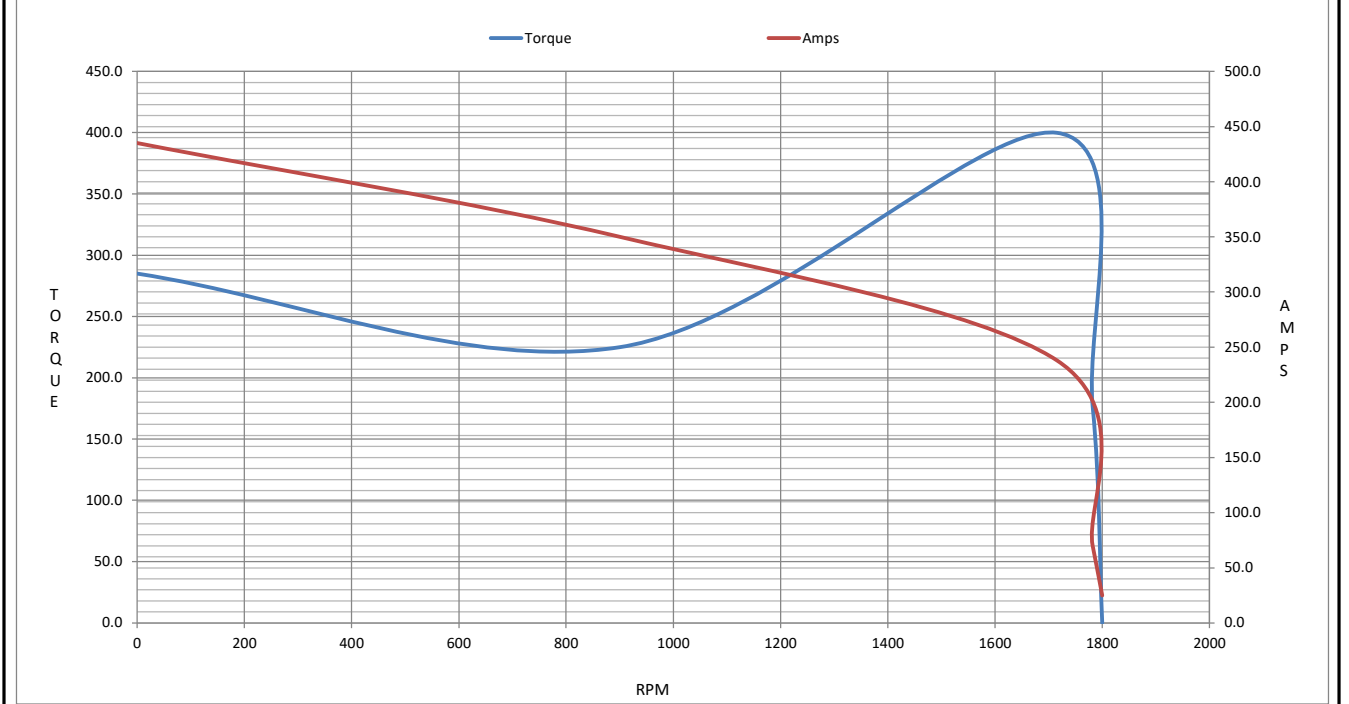
Motor Speed Data

| | LR | Pull-Up | BD | Rated | Idle |
|----------------|-----|---------|------|-------|------|
| Speed (RPM) | 0 | 900 | 1715 | 1782 | 1800 |
| Current (Amps) | 435 | 350 | 238 | 70.0 | 25.0 |
| Torque (ft-lb) | 285 | 225 | 400 | 177 | 0.00 |

| Information Block | | | | |
|-----------------------------|------------------------|--------|--------|---------|
| HP | 60.0 | | | |
| Sync. RPM | 1800 | | | |
| Frame | 364 | | | |
| Enclosure | DP | | | |
| Construction | TFC | | | |
| Voltage | 208-230/460#190/380 V | | | |
| Frequency | 60 Hz | | | |
| Design | B | | | |
| LR Code letter | G | | | |
| Service Factor | 1.15 | | | |
| Temp Rise @ FL | 40 ° C | | | |
| Duty | CONT | | | |
| Ambient | 40 ° C | | | |
| Elevation | 3,300 feet | | | |
| Rotor/Shaft wk ² | 16.5 Lb-F ² | | | |
| Ref Wdg | HA32254014 NONE | | | |
| Sound Pressure @ 1M | 72 dBA | | | |
| VFD Rating | VARIABLE 20:1 | | | |
| Outline Dwg | SS620748-100 | | | |
| Conn. Diag | EE7308AA | | | |
| Additional Specifications: | | | | |
| 0 | | | | |
| 0 | | | | |
| EQUIV CKT (OHMS / PHASE) | | | | |
| R1 | R2 | X1 | X2 | Xm |
| 0.0640 | 0.0380 | 0.3920 | 0.4960 | 10.6360 |



Speed - Torque Curve



EC Declaration of Conformity

The undersigned representing
the manufacturer:

Regal Beloit America
100 East Randolph St.
Wausau, WI 54401

and the authorized representative
established within the Community:

Marathon Electric UK
6F Thistleton Road Ind. Estate
Market Overton
Oakham, Rutland LE15 7PP UK

are committed to providing customers with products that comply with applicable regulations and international protocols to which they are subject, including the requirements of the European Parliament Directive on the Harmonization of the laws relating to electrical equipment designed for use within certain voltage limits (2014/35/EU).

Regal Beloit America declares that the following product(s), to which this declaration relates, are in conformity with the relevant sections of the EC standards listed below.

This statement supersedes any statements previously issued pertaining to the product(s) listed below and is subject to change without notice.

Model No : 364TSTDBD6060

(Model No. may contain prefix and/or suffix characters)

Catalog No : GT0082

Rework No : N/A

Directives :

Low Voltage Directive 2014/35/EU

Harmonized Standards Used :

EN 60034-1: 2010 (IEC 60034-1: 2010)

EN 60034-5: 2001/A1:2007 (IEC 60034-5: 2000/A1:2006)

Authorized Representative:



Michael A. Logsdon
Vice President, Technology

Authorized Representative in the Community:



Julian Clark
Marketing Engineer

Created on 09/01/2022

CE 22