

# PRODUCT INFORMATION PACKET

**marathon**<sup>®</sup>  
Motors

Model No: 364TSTDBD6028  
Catalog No: GT0282  
60,1800,DP,364TSC,3/60/230/460  
Miscellaneous

Regal and Marathon are trademarks of Regal Rexnord Corporation or one of its affiliated companies.  
©2021 Regal Rexnord Corporation, All Rights Reserved. MC017097E

The logo for Regal Rexnord, featuring a stylized 'R' icon followed by the text 'RegalRexnord'.

## Nameplate Specifications

## Technical Specifications

Outline Drawing

**SS620749-100**

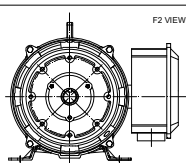
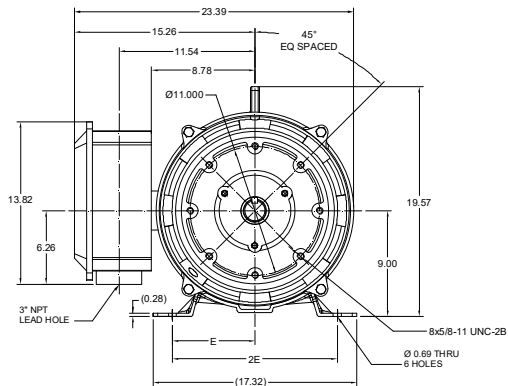
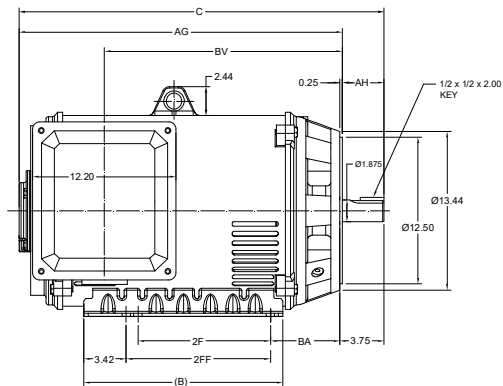
Connection Drawing

**EE7308AA**

---


This is an uncontrolled document once printed or downloaded and is subject to change without notice. Date Created:10/11/2021

DASH NO.	4				3				2		1	
	B	C	E	2E	2F	2FF	AG	AH	BA	BV	MOUNTING	FRAME
100	16.93	29.57	7.00	14.00	11.25	12.25	26.00	3.50	5.88	20.33	F1 OR F2	364TSC
200		31.14					27.64			21.90		365TSC



DRAWING REVISION B	REVISION BY JJP	REV DATE / © DATE 27/04/2021
ECD CR-0002338	APPROVED BY GNK	DATE 27/04/2021
ECO DESCRIPTION DRAWING UPDATED		
<small>           COPYRIGHT (P) &amp; REGISTRATION (D) REGAL BELLOIT AMERICA, INC. ALL RIGHTS RESERVED.            PROVIDING THAT THIS DOCUMENT IS FOR INFORMATION PURPOSES ONLY AND DOES NOT            REPRESENT A CONTRACT. REGAL BELLOIT AMERICA, INC. (OWNER) AND CONTAINS OWNER'S PROPRIETARY            INFORMATION. ANY PERSONAL COPIES OR REPRODUCTION OF THIS DOCUMENT IS STRICTLY            PROHIBITED. TO AGREE THAT IT AND/OR ANY PART OF IT SHALL NOT BE DISCLOSED            TO ANY PERSON, CORPORATION OR OTHER ENTITY, UNLESS APPROVED IN WRITING BY            THE COMPANY APPROVED IN ADVANCE BY OWNER. THIS DOCUMENT SHALL            BE RETURNED TO OWNER UPON REQUEST. IT MAY BE SUBJECT TO CHANGE            WITHOUT NOTICE. INSTRUCTIONS UNDER APPLICABLE EXPORT CONTROL LAWS AND REGULATIONS.         </small>		

PRIMARY DIMENSIONS ARE INCH  
 (MM DIMENSIONS IN BRACKETS)  
 ARE FOR REFERENCE ONLY

DRAWN BY Xiaowei zhu	 Regal Beloit America, Inc.
DATE	DESCRIPTION OUTLINE
APPROVED BY	364/365TSC FR-NEMA-ODP-RS
DATE	MATERIAL
REFERENCE	PROCESS/FINISH
THIRD ANGLE PROJECTION	SIZE B
DRAWING NUMBER SS620749	SHEET 1 OF 1



### LOW VOLTAGE



### HIGH VOLTAGE



### VIEW OF TERMINAL END

DRAWING REVISION <b>K</b>	REVISION BY <b>AJW</b>	DATE <b>07-17-2015</b>
ECO <b>ECO-0081632</b>	APPROVED BY <b>T. VUE</b>	DATE <b>07-17-2015</b>
ECO DESCRIPTION <b>REV'D IEC MARKINGS PER IEC 60034-8</b>		
<small>COPYRIGHT REGAL BELOIT AMERICA, INC. ALL RIGHTS RESERVED.          PROPRIETARY AND CONFIDENTIAL INFORMATION - THIS DOCUMENT IS THE PROPERTY OF          REGAL BELOIT AMERICA, INC. ("OWNER") AND CONTAINS OWNER'S PROPRIETARY          INFORMATION. ANY PERSON, CORPORATION OR OTHER FIRM RECEIVING IT IS DEEMED,          BY RECEIVING IT, TO AGREE THAT IT, AND/OR ANY PART OF IT, SHALL NOT BE DISCLOSED          TO ANY PERSON, CORPORATION OR OTHER ENTITY, DUPLICATED, AND/OR USED, EXCEPT          AS EXPRESSLY APPROVED IN WRITING IN ADVANCE BY OWNER. THIS DOCUMENT SHALL          BE RETURNED TO OWNER UPON REQUEST. IT MAY BE SUBJECT TO CERTAIN          RESTRICTIONS UNDER APPLICABLE EXPORT CONTROL LAWS AND REGULATIONS.</small>		



DRAWN BY <b>LZ</b>	<b>Regal Beloit America, Inc.</b>	
DATE <b>01-12-1994</b>		
APPROVED BY <b>GK</b>	<b>DESCRIPTION</b> <b>CONN DIAGRAM-EXTERNAL</b> <b>3Ø-2/1 DELTA-12 LEADS</b>	
DATE <b>01-14-1994</b>		
REFERENCE	MATERIAL	PROCESS/FINISH
THIRD ANGLE PROJECTION	SIZE <b>A</b>	DRAWING NUMBER <b>EE7308AA</b>
		SHEET <b>1 OF 1</b>