

PRODUCT INFORMATION PACKET

Model No: 326VTDC6026

Catalog No: V128A

Vertical Pump Motor, 50 & 40 HP, 3 Ph, 60 & 50 Hz, 230/460 & 190/380 V, 1800 & 1500 RPM,
326TPV Frame, WPI



Regal and Marathon are trademarks of Regal Rexnord Corporation or one of its affiliated companies.

©2023 Regal Rexnord Corporation, All Rights Reserved. MC017097E

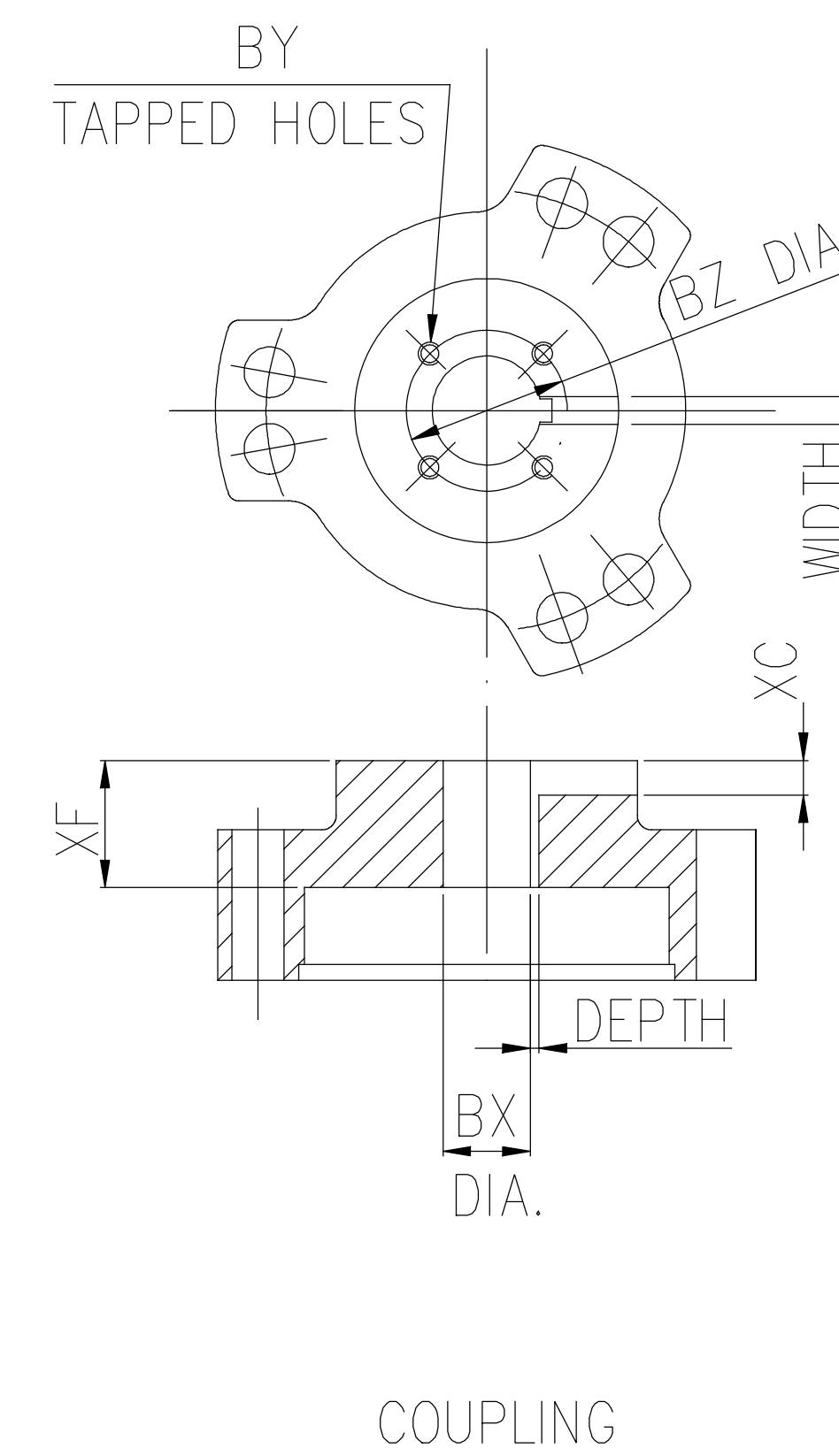
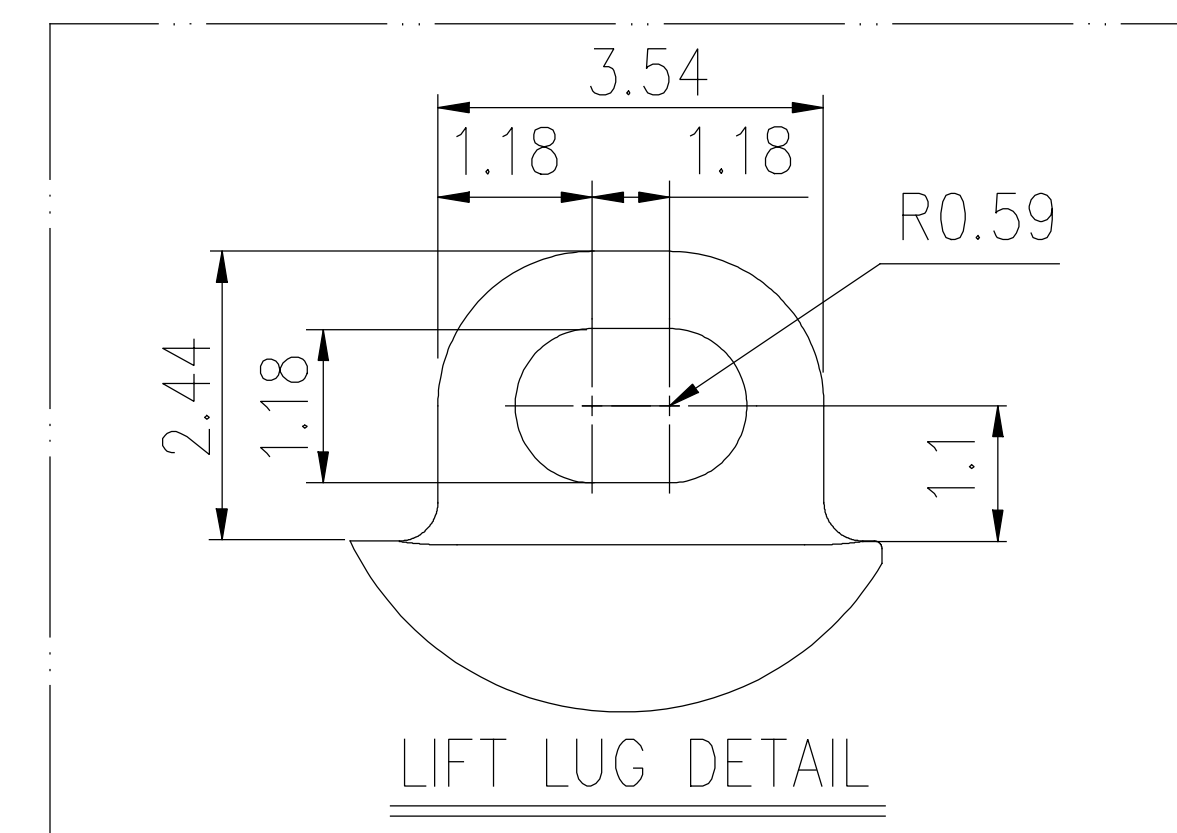
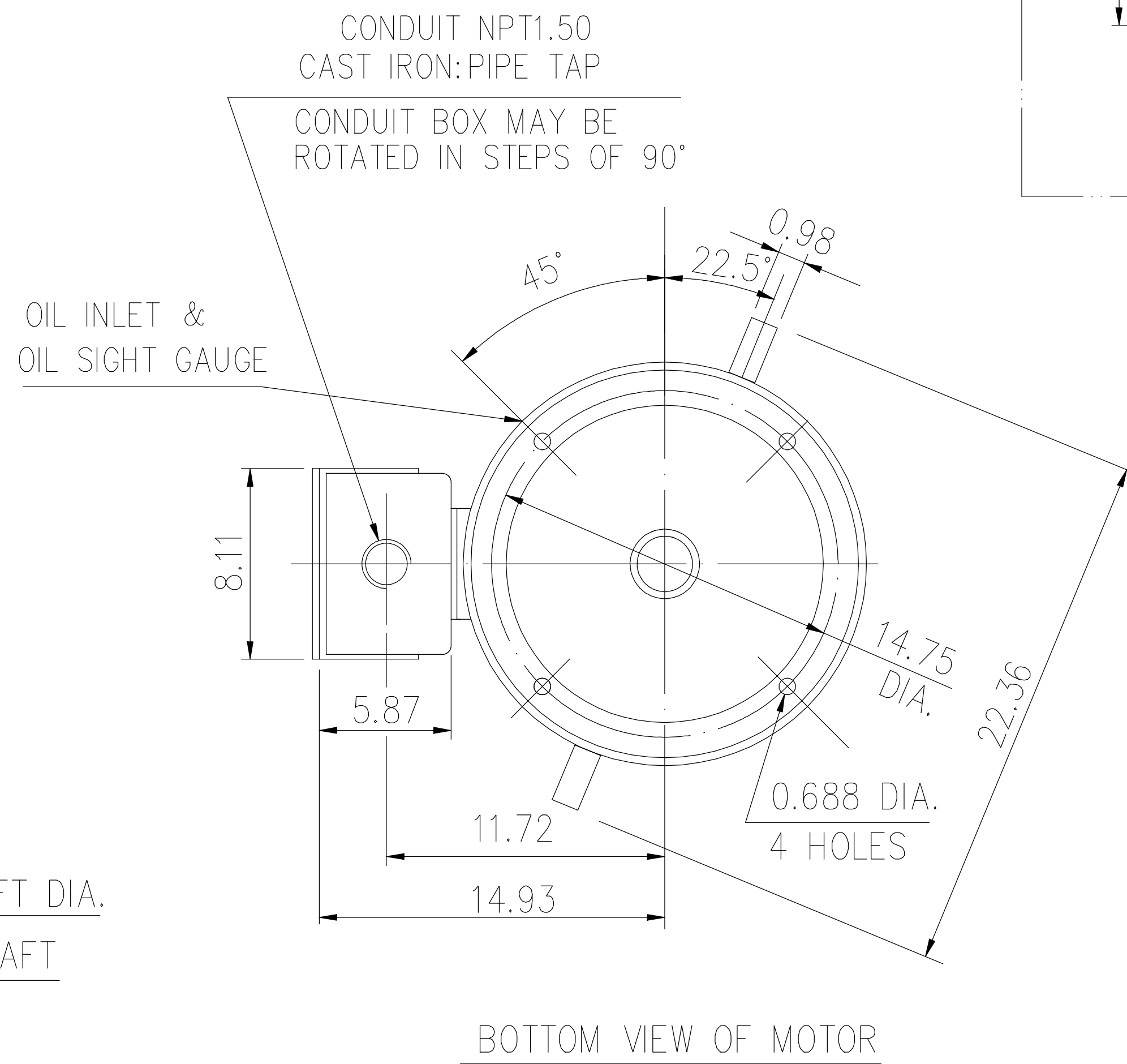
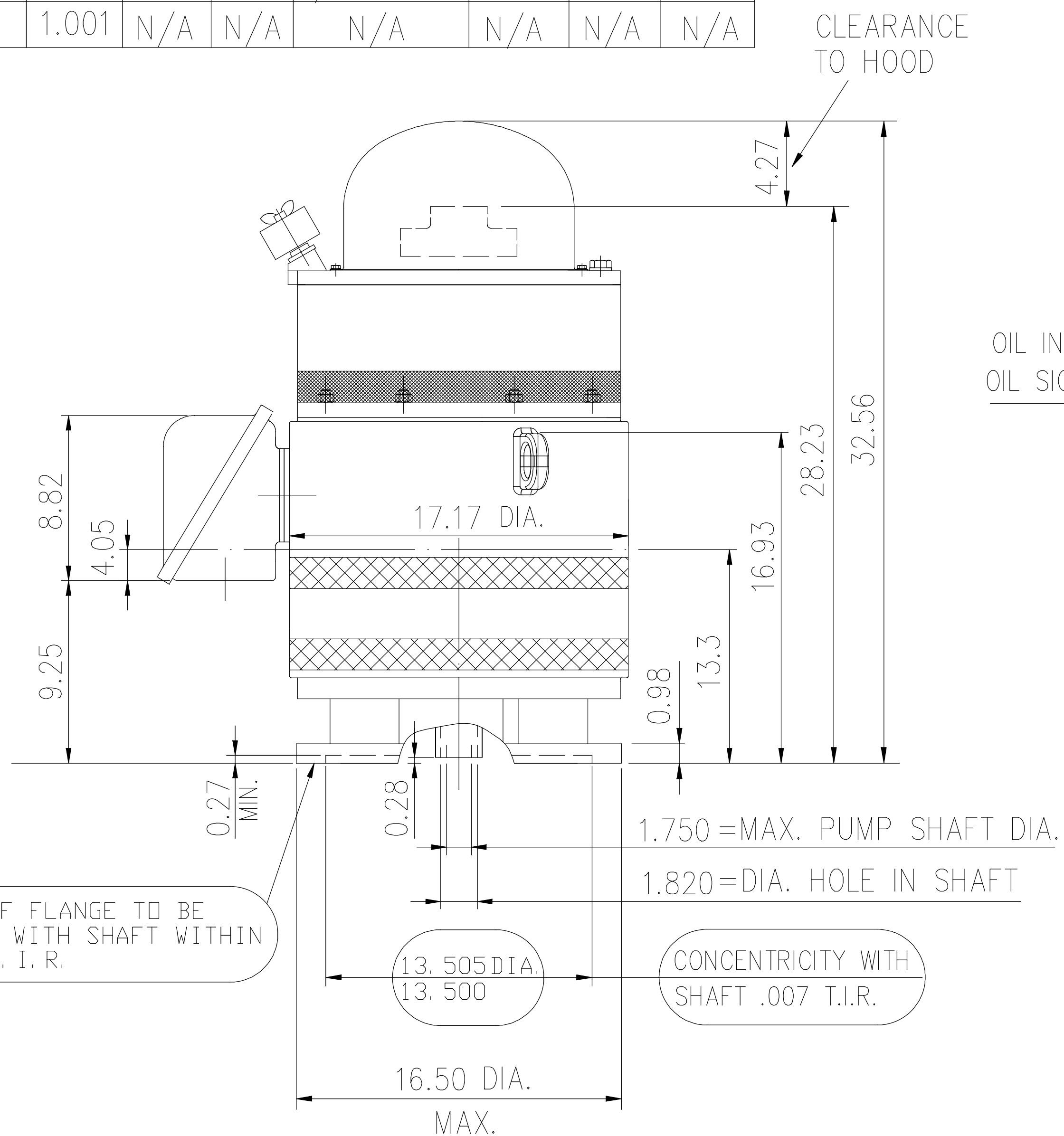
Nameplate Specifications

Phase	3	Output HP	50 & 40 Hp
Output KW	37.0 & 30.0 kW	Voltage	230/460 & 190/380 V
Speed	1780 & 1480 rpm	Service Factor	1.15 & 1.15
Frame	326TPV	Enclosure	Weather Protected 1
Thermal Protection	No Protection	Efficiency	95 & 93.6 %
Ambient Temperature	40 °C	Frequency	60 & 50 Hz
Current	120/60 & 120/60 A	Power Factor	82
Duty	Continuous	Insulation Class	F
Design Code	B	KVA Code	G
Drive End Bearing Size	6312	Opp Drive End Bearing Size	7219B
UL	Recognized	CSA	Y
CE	Y	IP Code	23
Number of Speeds	1		

Technical Specifications

Electrical Type	Squirrel Cage Inverter Rated	Starting Method	Part Wdg Start Low Volt Only & Wye Start Delta Run Or Inverter
Poles	4	Rotation	Counterclockwise Rotation, Reversible without Non-Reversible Ratchet
Mounting	Round	Motor Orientation	Shaft Down
Drive End Bearing	Ball	Opp Drive End Bearing	Single Angular Contact
Frame Material	Cast Iron	Shaft Type	TP
Overall Length	32.56 in	Shaft Diameter	1.833 in
Shaft Extension	0.28 in	Assembly/Box Mounting	F1/F2 CAPABLE
Inverter Load	VARIABLE 3:1		
Connection Drawing	EE7308DX	Outline Drawing	SS620839

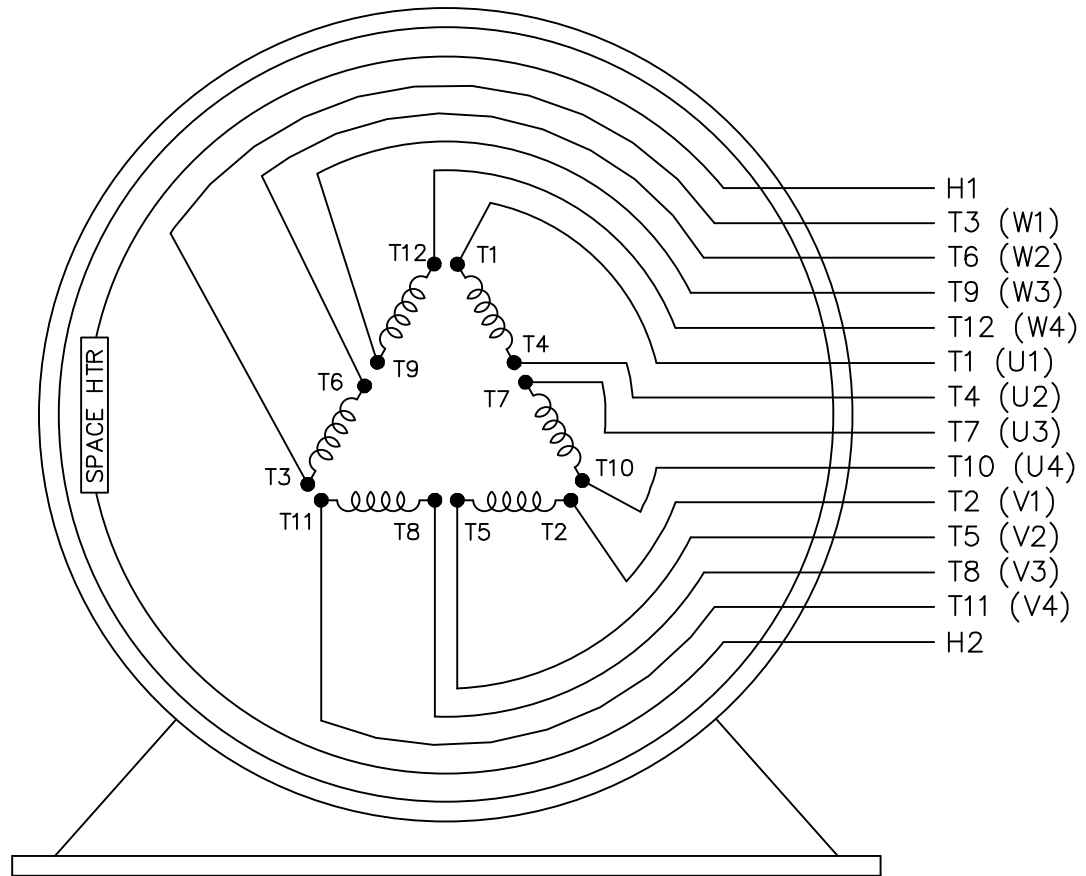
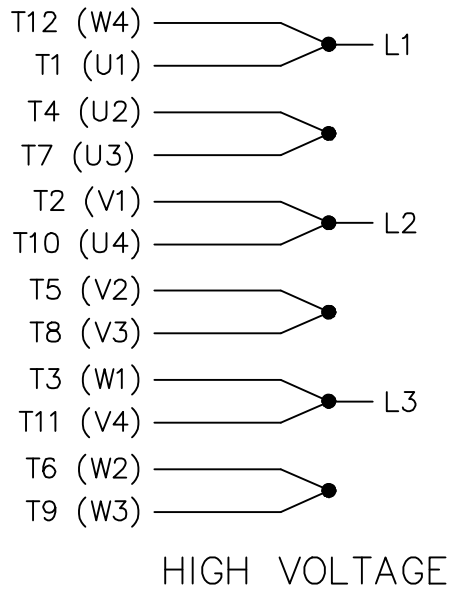
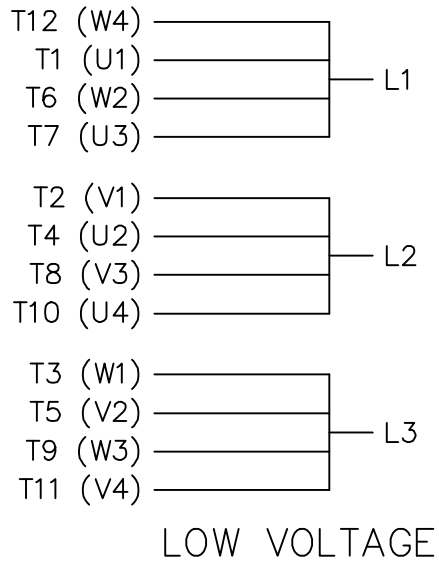
COUPLING	BX DIA.	KEYWAY		BY	BZ	XF	XC
		WIDE	DEEP				
	1.001	0.250	0.140	10-32UNF	1.375	1.610	0.320
	1.188	0.250	0.140	1/4-20UNC	1.750	1.610	0.320
	1.251	0.250	0.140	1/4-20UNC	1.750	1.610	0.320
	1.251	0.375	0.164	1/4-20UNC	1.750	1.610	0.320
	1.438	0.375	0.167	1/4-20UNC	2.120	1.610	0.320
	1.501	0.375	0.168	1/4-20UNC	2.120	1.610	0.320
	1.001	N/A	N/A	N/A	N/A	N/A	N/A



- (1) DIMENSIONS ARE IN INCHES.
- (2) DRIVE END BEARING 6312
OPPOSITE DRIVE END BEARING 7219B
- (3) APPROXIMATE WEIGHT = 785 LBS

- (4) END OF LINE TESTS - SPECIFIC TO EACH RATING
 - *NO LOAD AMPS @ FULL VOLTAGE
 - *NO LOAD WATTS @ FULL VOLTAGE
 - *VIBRATION MEETS MG-1 STANDARD
 - BALANCE 0.15 IN/S 3.8 MM/S

				TOLERANCES UNLESS SPECIFIED		REGAL REGAL-BELOIT CORPORATION	DRAWN
				DEC.	INCHES		
				.X	±.1		APPD
				.XX	±.03	TITLE	SCALE
B	UPDATED PER MARK-UPS ECO-0151417	WGJ 9-11-2018	AL	.XXX	±.005	OUTLINE	REF
A	RELEASED FOR PRODUCTION ECO-0125213	WGJ 6-13-2017	AL	.XXXX	±.0005	324/326TP16 FRAME	FMF
NO.	REVISION	BY & DATE	CHK	ANG	±7'30"	MAT'L.	PREV
THIS DRAWING IN DESIGN AND DETAIL IS OUR PROPERTY AND MUST NOT BE USED EXCEPT IN CONNECTION WITH OUR WORK ALL RIGHTS OF DESIGN AND INVENTION ARE RESERVED THIS IS AN ELECTRONICALLY GENERATED DOCUMENT - DO NOT SCALE THIS PRINT				RFP		FINISH	
				DIST		CAD FILE	
						SIZE	DRAWING NO.
						B	SS620839
							REV. B



VIEW OF TERMINAL END

				TOLERANCES UNLESS SPECIFIED		MARATHON ELECTRIC	DRAWN KL 02-05-1999			
				DEC.	INCHES		CHK DJK 02-05-1999			
				.X	± -	TITLE CONNECTION DIAGRAM 12 LEADS - 3 PHASE - 2/1 DELTA	APPD DJK 02-05-1999	SCALE 1=1		
2	ADDED IEC MARKINGS	MU110339	MSG 10-15-2012	.XXX	± -		REF			
1	NEW DRAWING	MU23624	KL 02-05-1999	DJK .XXXX	± -	MAT'L.	FMF MU23624			
NO.	REVISION	BY & DATE	CHK	ANG	± -	FINISH	PREV			
THIS DRAWING IN DESIGN AND DETAIL IS OUR PROPERTY AND MUST NOT BE USED EXCEPT IN CONNECTION WITH OUR WORK ALL RIGHTS OF DESIGN AND INVENTION ARE RESERVED THIS IS AN ELECTRONICALLY GENERATED DOCUMENT - DO NOT SCALE THIS PRINT				RFP	02-05-1999	CAD FILE EE7308DX	SIZE A	DRAWING NO. EE7308DX	PAGE OF 2	REV. 2
				DIST						



**P.O. BOX 8003
WAUSAU, WI 54401-8003
PH. 715-675-3311**

CERTIFICATION DATA SHEET

CUSTOMER:
ORDER #:
CONN. DIAGRAM: EE7308DX
OUTLINE: SS620839
WINDING #: TPE3264001 1

CUSTOMER PO#:
MODEL #: 326VTDC6026 AA
CUSTOMER PART #:
MOUNTING: F1/F2 CAPABLE

TYPICAL MOTOR PERFORMANCE DATA

HP	KW	SYNC. RPM	F.L. RPM	FRAME	ENCLOSURE	KVA CODE	DESIGN
50&40	37.0&30.0	1800	1780&1480	326TPV	WPI	G	B

PH	Hz	VOLTS	AMPS	START TYPE	DUTY	INSL	S.F.	AMB°C
3	60/50	230/460&190/380	120/60&120/60	PWS (LV ONLY) & YDRUN OR INV	CONTINUOUS	F	1.15/1.15	40

FULL LOAD EFF:	95&93.6	3/4 LOAD EFF:	95	1/2 LOAD EFF:	94.5	GTD. EFF		ELEC. TYPE	
FULL LOAD PF:	82&81	3/4 LOAD PF:	79	1/2 LOAD PF:	70.5	94.1		SQ CAGE INV RATED	

F.L. TORQUE	LOCKED ROTOR AMPS	L.R. TORQUE	B.D. TORQUE	F.L. RISE°C
147 LB-FT	724 / 362	304 LB-FT 206 %	392 LB-FT 266 %	38

SOUND PRESSURE @ 3 FT.	SOUND POWER	ROTOR WK^2	MAX. WK^2	SAFE STALL TIME	STARTS / HOUR	APPROX. MOTOR WGT
72 dBA	82 dBA	9 LB-FT^2	606 LB-FT^2	12 SEC.	2	780 LBS.

***** SUPPLEMENTAL INFORMATION *****

DE BRACKET TYPE	ODE BRACKET TYPE	MOUNT TYPE	ORIENTATION	SEVERE DUTY	HAZARDOUS LOCATION	DRIP COVER	SCREENS	PAINT
P-BASE-16	STANDARD	ROUND	SHAFT DOWN	FALSE	NONE	TRUE	RODENT	BLUE (ENAMEL)

BEARINGS		GREASE	SHAFT TYPE	SPECIAL DE	SPECIAL ODE	SHAFT MATERIAL	FRAME MATERIAL
DE	ODE						
BALL	SINGLE ANGULAR CONTACT	POLYREX/ISOVG32	TP	NONE	NONE	1045 HOT ROLLED (C-204)	CAST IRON
6312	7219B						

THERMO-PROTECTORS				THERMISTORS	CONTROL	SPACE HEATERS
THERMOSTATS	PROTECTORS	WDG RTDs	BRG RTDs			
NONE	NOT	NONE	NONE	NONE	FALSE	110 VOLTS

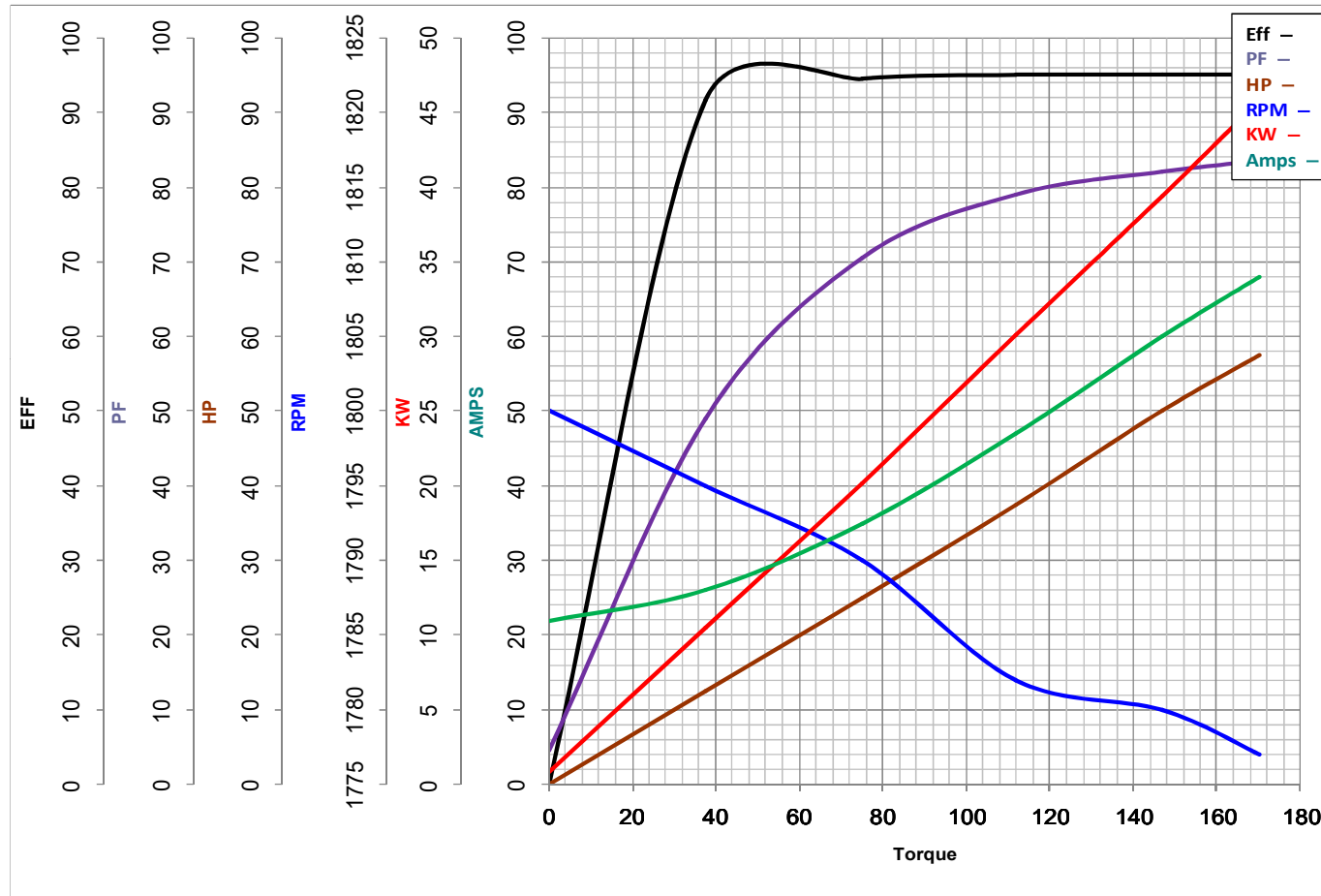
* N O T E S *	INVERTER TORQUE: VARIABLE 3:1 INV. HP SPEED RANGE: NONE
	ENCODER: NONE NONE NONE NONE NONE PPR
	BRAKE: NONE NONE NONE P/N NONE NONE NONE NONE FT-LB NONE V NONE Hz

PREPARED BY: Dinesh
Suddula **DATE:**
02/18/2019 01:20:54 AM
FORM 3531 REV.3 02/07/99
** Subject to change without
notice.



MARATHON ELECTRIC CORPORATION
TYPICAL PERFORMANCE CURVE for AC MOTOR

Customer _____ Curve at 460 Volts HP 50&40 PHASE 3
 Model No 326VTDC6026 60 HZ
50 HP VOLTS 230/460&190/380
 Catalog No V128A HZ 60&50 RPM 1780&1480



		Torque in Lb.Ft		
FL TORQUE	<u>147</u>	Lb.Ft	FL AMPS	<u>120/60</u>
BD TORQUE	<u>392.0</u>	Lb.Ft	PU TORQUE	<u>240.0</u>
LR TORQUE	<u>304</u>	Lb.Ft	LR AMPS	<u>362</u>
WINDING	TPE3264001-1		Date	11/2/2018

EC Declaration of Conformity

The undersigned representing
the manufacturer:

Regal Beloit America
100 East Randolph St.
Wausau, WI 54401

and the authorized representative
established within the Community:

Marathon Electric UK
6F Thistleton Road Ind. Estate
Market Overton
Oakham, Rutland LE15 7PP UK

are committed to providing customers with products that comply with applicable regulations and international protocols to which they are subject, including the requirements of the European Parliament Directive on the Harmonization of the laws relating to electrical equipment designed for use within certain voltage limits (2014/35/EU).

Regal Beloit America declares that the following product(s), to which this declaration relates, are in conformity with the relevant sections of the EC standards listed below.

This statement supersedes any statements previously issued pertaining to the product(s) listed below and is subject to change without notice.

Model No : 326VTDC6026

(Model No. may contain prefix and/or suffix characters)

Catalog No : V128A

Rework No : N/A

Directives :

Low Voltage Directive 2014/35/EU

Harmonized Standards Used :

EN 60034-1: 2010 (IEC 60034-1: 2010)

EN 60034-5: 2001/A1:2007 (IEC 60034-5: 2000/A1:2006)

Authorized Representative:



Michael A. Logsdon
Vice President, Technology

Authorized Representative in the Community:



Julian Clark
Marketing Engineer

Created on 09/01/2022

CE 22