

PRODUCT INFORMATION PACKET

Model No: 326TTFS16073

Catalog No: E210-P

General Purpose Motors, TEFC, 50 HP, 3 Ph, 60 Hz, 230/460 V, 1775 RPM, 326T

General Purpose Motors



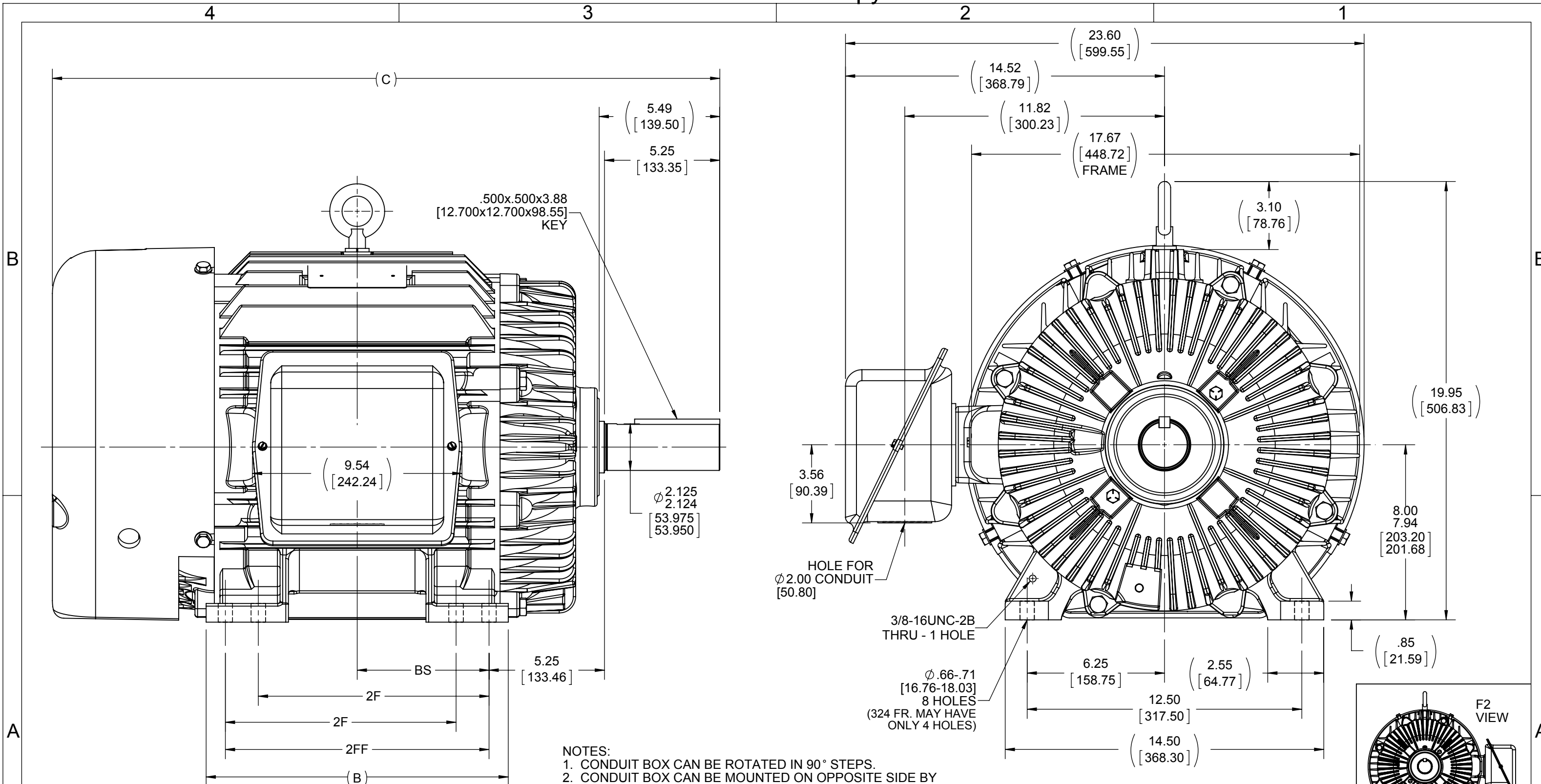
Regal and Marathon are trademarks of Regal Rexnord Corporation or one of its affiliated companies.
©2022 Regal Rexnord Corporation, All Rights Reserved. MC017097E

Nameplate Specifications

Output HP	50 Hp	Output KW	37.0 kW
Frequency	60 Hz	Voltage	230/460 V
Current	120.0/60.0 A	Speed	1775 rpm
Service Factor	1.15	Phase	3
Efficiency	94.5 %	Power Factor	82
Duty	Continuous	Insulation Class	F
Design Code	B	KVA Code	F
Frame	326T	Enclosure	Totally Enclosed Fan Cooled
Thermal Protection	No	Ambient Temperature	40 °C
Drive End Bearing Size	6312	Opp Drive End Bearing Size	6311
UL	Recognized	CSA	Y
CE	Y	IP Code	43
Number of Speeds	1		

Technical Specifications

Electrical Type	Squirrel Cage Inverter Rated	Starting Method	Line Or Inverter
Poles	4	Rotation	Reversible
Resistance Main	.112 Ohms	Mounting	Rigid Base
Motor Orientation	Horizontal	Drive End Bearing	Ball
Opp Drive End Bearing	Ball	Frame Material	Cast Iron
Shaft Type	T	Overall Length	31.88 in
Frame Length	14.50 in	Shaft Diameter	2.125 in
Shaft Extension	5.49 in	Assembly/Box Mounting	F1/F2 CAPABLE
Inverter Load	CONSTANT 2:1		
Outline Drawing	SS28289-1450	Connection Drawing	A-EE7308



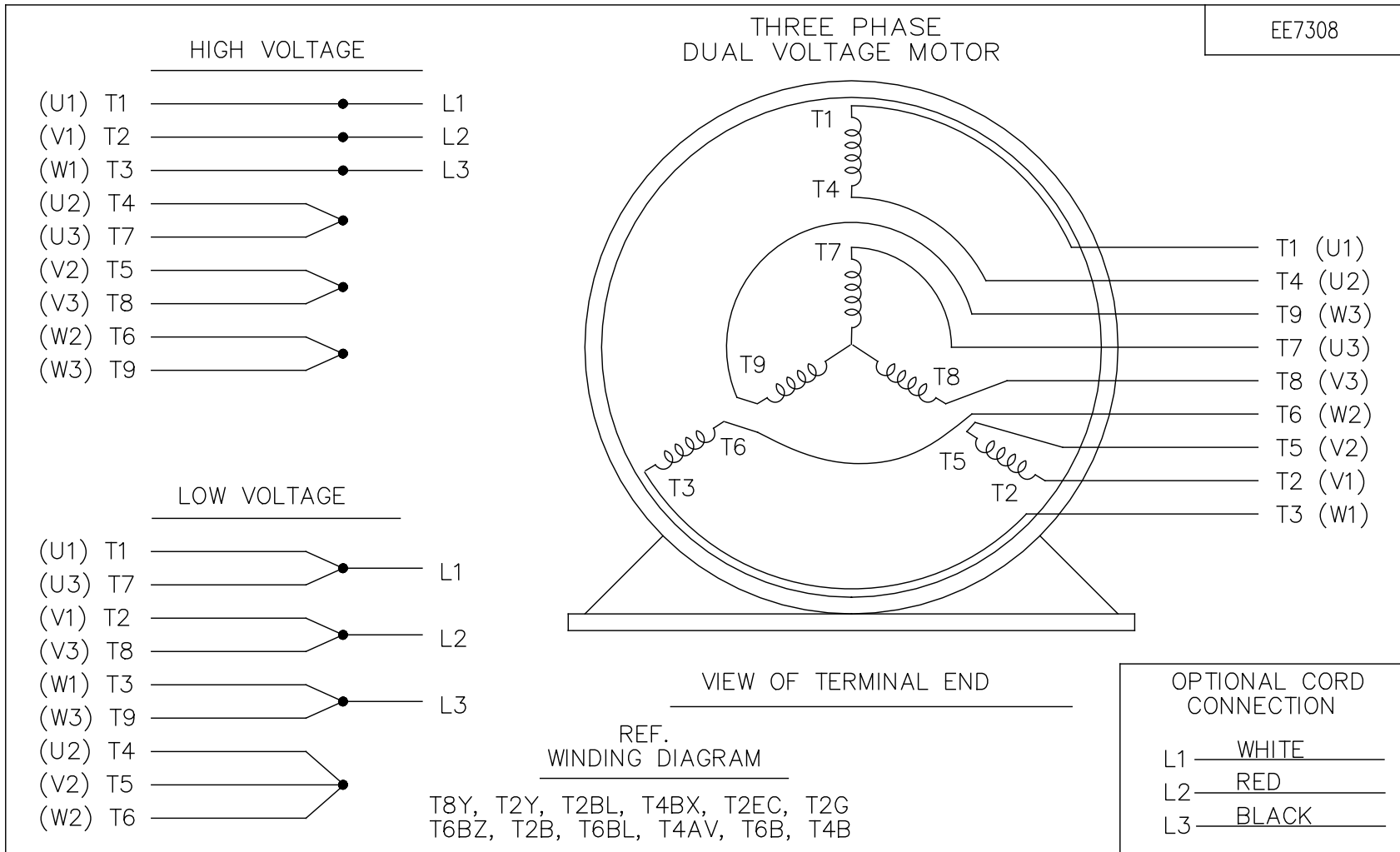
- NOTES:
1. CONDUIT BOX CAN BE ROTATED IN 90° STEPS.
 2. CONDUIT BOX CAN BE MOUNTED ON OPPOSITE SIDE BY REMOVING BRACKETS AND ROTATING FRAME 180°.
 3. NAMEPLATE READ FROM CONDUIT BOX SIDE OF MOTOR.

DRAWING REVISION	REVISION BY	DATE	TOLERANCES UNLESS OTHERWISE SPECIFIED:			
W	MSG	10-28-2014	DEC.	INCH	mm	ANGLE
ECO	APPROVED BY	DATE	.X	±0.1	[±2.5]	±7° 30"
ECO-0063392	TB	10-28-2014	.XX	±0.03	[±0.76]	
ECO DESCRIPTION			.XXX	±0.005	[±0.127]	
UPDATED TO NEW TITLE BLOCK			.XXXX	±0.0005	[±0.0127]	
<small>COPYRIGHT REGAL BELOIT AMERICA, INC. ALL RIGHTS RESERVED. PROPRIETARY AND CONFIDENTIAL INFORMATION - THIS DOCUMENT IS THE PROPERTY OF REGAL BELOIT AMERICA, INC. ("OWNER") AND CONTAINS OWNER'S PROPRIETARY INFORMATION. ANY PERSON, CORPORATION OR OTHER FIRM RECEIVING IT IS DEEMED, BY RECEIVING IT, TO AGREE THAT IT, AND/OR ANY PART OF IT, SHALL NOT BE DISCLOSED TO ANY PERSON, CORPORATION OR OTHER ENTITY, DUPLICATED, AND/OR USED, EXCEPT AS EXPRESSLY APPROVED IN WRITING IN ADVANCE BY OWNER. THIS DOCUMENT SHALL BE RETURNED TO OWNER UPON REQUEST. IT MAY BE SUBJECT TO CERTAIN RESTRICTIONS UNDER APPLICABLE EXPORT CONTROL LAWS AND REGULATIONS.</small>						
1150	324T	28.88 [733.48]	13.75 [349.25]	---	10.50 [266.70]	5.25 [133.35]
1300	324/326T	30.38 [771.58]	13.75 [349.25]	10.50 [266.70]	12.00 [304.80]	6.00 [152.40]
1450	326T	31.88 [809.68]	15.00 [381.00]	12.00 [304.80]	---	6.75 [171.45]
DASH	FRAME	C	B	2F	2FF	BS

DRAWN BY	MLD
DATE	01-24-1996
APPROVED BY	ML
DATE	01-25-1996
REFERENCE	
THIRD ANGLE PROJECTION	

DRAWN BY		MLD	
DATE		01-24-1996	
APPROVED BY		ML	
DATE		01-25-1996	
REFERENCE			
THIRD ANGLE PROJECTION			

REGAL ™ Regal Beloit America, Inc.	
DESCRIPTION	
320T FR. - TEFC - CAST IRON - STEEL C'BOX	
MATERIAL	PROCESS/FINISH
SIZE	DRAWING NUMBER
B	SS28289
SHEET	
1 OF 1	



NO.	REVISION	BY & DATE	CHK	ANG	TOLERANCES UNLESS SPECIFIED		FINISH	DRAWN RM	ML	REV.	
					DEC.	INCHES					
5	CHG TO REGAL LOGO	SL 09/10/2015	AB					RM	11/20/1990		
4	REVISED IEC NOTATIONS	MSG 11/15/2011	CMN	.X	±.1			CHK	ML	11/21/1990	
3	ADDED IEC NOTATIONS... (U1), (V1) ETC. MU95194	MSG 5/10/2010	MJS	.XX	±.02			APPD	SAS	04/24/2003	
2	ADDED THE OPTIONAL CORD CONNECTION MU46318	RDH 04/24/2003	DRS	.XXX	±.005					SCALE 1=1	
1	REDRAWN	RM 11/20/1990		.XXXX	±.0005					REF	
					±7'30"					FMF	
THIS DRAWING IN DESIGN AND DETAIL IS OUR PROPERTY AND MUST NOT BE USED EXCEPT IN CONNECTION WITH OUR WORK ALL RIGHTS OF DESIGN AND INVENTION ARE RESERVED THIS IS AN ELECTRONICALLY GENERATED DOCUMENT - DO NOT SCALE THIS PRINT							RFP	CAD FILE ee7308	SIZE A	DRAWING NO. EE7308	PAGE OF 5
							DIST WP				



TITLE CONNECTION DIAGRAM
3Ø - DUAL VOLTAGE MOTOR

Data Sheet

Date: 6/29/2017

326TTFS16073

Customer: _____



Attention: _____

Submittal

Submitted by: FAREEDA DUDEKULA

Data @ 460 V

Motor Load Data

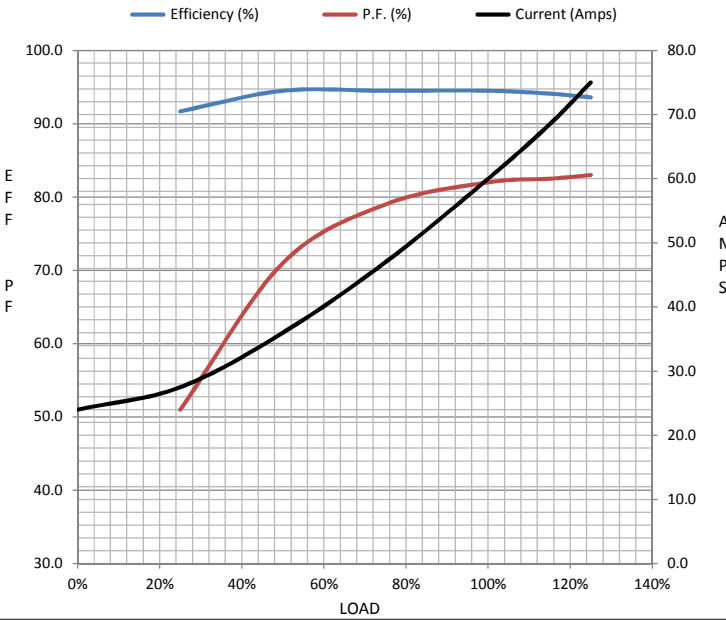
Load	0%	25%	50%	75%	100%	115%	125%	LR
Current (Amps)	24.0	27.5	36.0	47.0	60.0	68.5	75.0	335
Torque (ft-lb)	0.00	36.6	73.5	111	148	170	185	250
RPM	1800	1795	1788	1782	1775	1,772	1770	0
Efficiency (%)		91.7	94.5	94.5	94.5	94.1	93.6	
P.F. (%)	4.0	51.0	71.0	79.0	82.0	82.5	83.0	33.0

Motor Speed Data

	LR	Pull-Up	BD	Rated	Idle
Speed (RPM)	0	900	1675	1775	1800
Current (Amps)	335	300	190	60.0	24.0
Torque (ft-lb)	250	230	340	148	0.00

Information Block

HP	50.0
Sync. RPM	1800
Frame	326
Enclosure	TEFC
Construction	TFN
Voltage	230/460 V
Frequency	60 Hz
Design	B
LR Code letter	F
Service Factor	1.15
Temp Rise @ FL	75 °C
Duty	CONT
Ambient	40 °C
Elevation	1,000 feet
Rotor/Shaft wk ²	9.7 Lb-Ft ²
Ref Wdg	K3264168 NONE
Sound Pressure @ 1M	65 dBA
VFD Rating	CONSTANT 2:1
Outline Dwg	SS28289-1450
Conn. Diag	A-EE7308



Additional Specifications:

0

0

EQUIV CKT (OHMS / PHASE)

R1	R2	X1	X2	Xm
0.0680	0.0620	0.4830	0.6480	11.0680

Speed -Torque Curve

