

PRODUCT INFORMATION PACKET

Model No: 326TTFCD6012

Catalog No: GT3436A

Globetrotter® Close-Coupled Pump Motor, 50 & 40 HP, 3 Ph, 60 & 50 Hz, 230/460 & 190/380 V,
3600 & 3000 RPM, 326JP Frame, TEFC



Regal and Marathon are trademarks of Regal Rexnord Corporation or one of its affiliated companies.
©2024 Regal Rexnord Corporation, All Rights Reserved. MC017097E

Nameplate Specifications

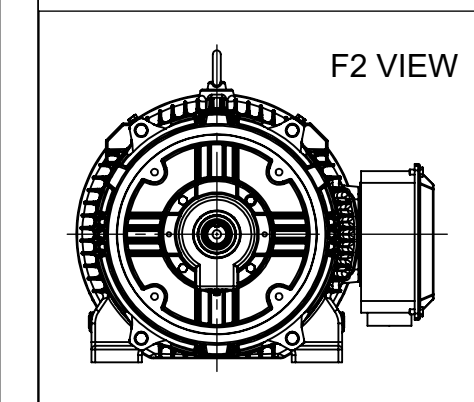
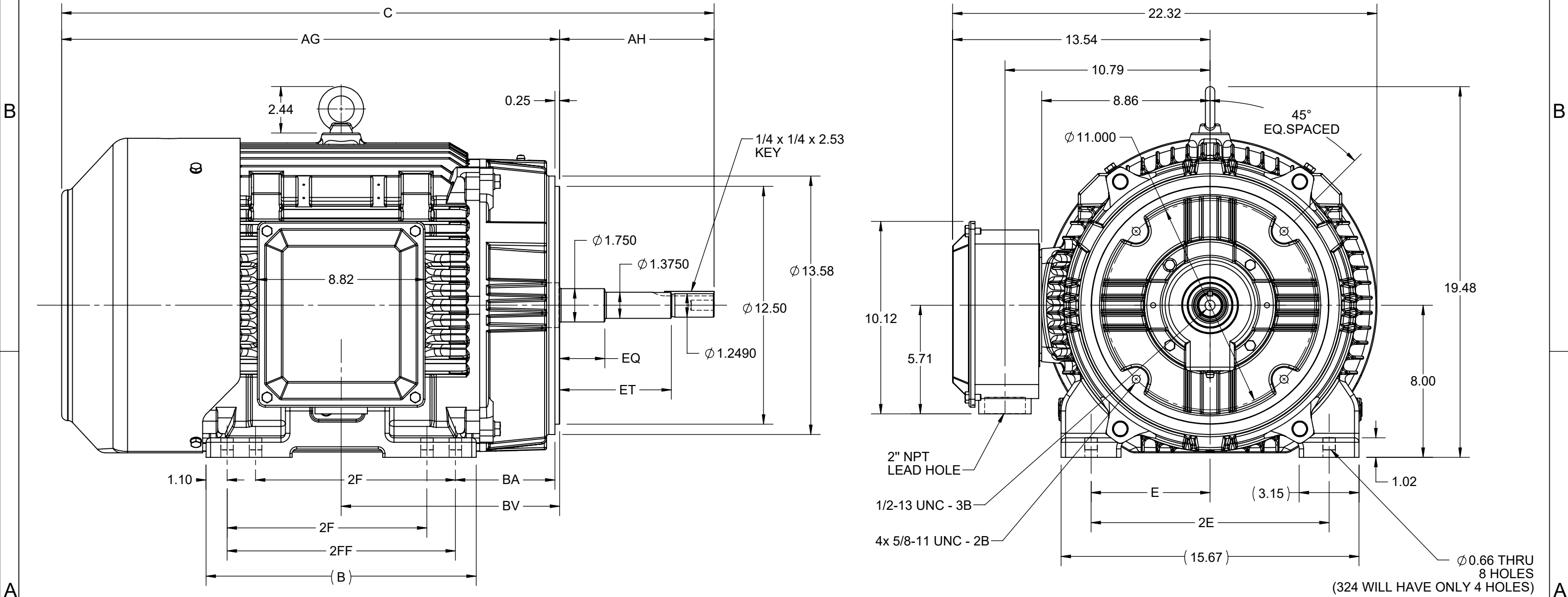
Phase	3	Output HP	50 & 40 Hp
Output KW	37.0 & 30.0 kW	Voltage	230/460 & 190/380 V
Speed	3568 & 2968 rpm	Service Factor	1.15 & 1.15
Frame	326JP	Enclosure	Totally Enclosed Fan Cooled
Thermal Protection	No Protection	Efficiency	94.1 & 93 %
Ambient Temperature	40 °C	Frequency	60 & 50 Hz
Current	113/56.5 & 110/55 A	Power Factor	89
Duty	Continuous	Insulation Class	F
Design Code	B	KVA Code	G
Drive End Bearing Size	6312	Opp Drive End Bearing Size	6212
UL	Listed	CSA	Y
CE	Y	IP Code	55
Number of Speeds	1	Hazardous Location	DIVISION 2 T2B

Technical Specifications

Electrical Type	Squirrel Cage Inverter Rated	Starting Method	Part Wdg Start Low Volt Only & Wye Start Delta Run Or Inverter
Poles	2	Rotation	Reversible
Resistance Main	.128 Ohms	Mounting	Rigid Base
Motor Orientation	Horizontal	Drive End Bearing	Ball
Opp Drive End Bearing	Ball	Frame Material	Cast Iron
Shaft Type	JP	Overall Length	35.42 in
Frame Length	14.56 in	Shaft Diameter	1.296 in
Shaft Extension	10.98 in	Assembly/Box Mounting	F1/F2 CAPABLE
Inverter Load	CONSTANT 2:1/VARIABLE 10:1		
Connection Drawing	EE7308AA	Outline Drawing	SS620813-200

This is an uncontrolled document once printed or downloaded and is subject to change without notice. Date Created:10/18/2024

DASH NO.	4		3						2				1	
	B	C	E	2E	2F	2FF	AG	AH	BA	BV	EQ	ET	MOUNTING	FRAME
100	12.71	32.82	6.25	12.50	----	10.50	2.70	8.12	5.25	10.75	2.37	5.87	F1 OR F2	324JP
200	14.21	34.31			10.50	12.00	26.19			11.50				324/326JP



DRAWING REVISION D	REVISION BY ASHOK N	REV DATE/© DATE 07/01/2021	DRAWN BY SN	Regal Beloit America, Inc.
ECO CR-0000831	APPROVED BY GNK	DATE 07/01/2021	DATE 17/04/2017	
ECO DESCRIPTION DRAWING UPDATED			APPROVED BY SBD	DESCRIPTION OUTLINE
COPYRIGHT (PER REVISION DATE) REGAL BELOIT AMERICA, INC. ALL RIGHTS RESERVED. PROPRIETARY AND CONFIDENTIAL INFORMATION - THIS DOCUMENT IS THE PROPERTY OF REGAL BELOIT AMERICA, INC. ("OWNER") AND CONTAINS OWNER'S PROPRIETARY INFORMATION. ANY PERSON, CORPORATION OR OTHER FIRM RECEIVING IT IS DEEMED, BY RECEIVING IT, TO AGREE THAT IT, AND/OR ANY PART OF IT, SHALL NOT BE DISCLOSED TO ANY PERSON, CORPORATION OR OTHER ENTITY, DUPLICATED, AND/OR USED, EXCEPT AS EXPRESSLY APPROVED IN WRITING IN ADVANCE BY OWNER. THIS DOCUMENT SHALL BE RETURNED TO OWNER UPON REQUEST. IT MAY BE SUBJECT TO CERTAIN RESTRICTIONS UNDER APPLICABLE EXPORT CONTROL LAWS AND REGULATIONS.			DATE 17/04/2017	324/326JP FR-NEMA-TEFC-CAST IRON
			REFERENCE	MATERIAL
PRIMARY DIMENSIONS ARE INCH mm DIMENSIONS IN [BRACKETS] ARE FOR REFERENCE ONLY			THIRD ANGLE PROJECTION	SIZE B
			DRAWING NUMBER SS620813	SHEET 1 OF 1



LOW VOLTAGE



HIGH VOLTAGE



VIEW OF TERMINAL END

DRAWING REVISION K	REVISION BY AJW	DATE 07-17-2015
ECO ECO-0081632	APPROVED BY T. VUE	DATE 07-17-2015
ECO DESCRIPTION REV'D IEC MARKINGS PER IEC 60034-8		
COPYRIGHT REGAL BELOIT AMERICA, INC. ALL RIGHTS RESERVED. PROPRIETARY AND CONFIDENTIAL INFORMATION - THIS DOCUMENT IS THE PROPERTY OF REGAL BELOIT AMERICA, INC. ("OWNER") AND CONTAINS OWNER'S PROPRIETARY INFORMATION. ANY PERSON, CORPORATION OR OTHER FIRM RECEIVING IT IS DEEMED, BY RECEIVING IT, TO AGREE THAT IT, AND/OR ANY PART OF IT, SHALL NOT BE DISCLOSED TO ANY PERSON, CORPORATION OR OTHER ENTITY, DUPLICATED, AND/OR USED, EXCEPT AS EXPRESSLY APPROVED IN WRITING IN ADVANCE BY OWNER. THIS DOCUMENT SHALL BE RETURNED TO OWNER UPON REQUEST. IT MAY BE SUBJECT TO CERTAIN RESTRICTIONS UNDER APPLICABLE EXPORT CONTROL LAWS AND REGULATIONS.		



DRAWN BY LZ	Regal Beloit America, Inc.	
DATE 01-12-1994		
APPROVED BY GK	DESCRIPTION CONN DIAGRAM-EXTERNAL 3Ø-2/1 DELTA-12 LEADS	
DATE 01-14-1994		
REFERENCE	MATERIAL	PROCESS/FINISH
THIRD ANGLE PROJECTION	SIZE A	DRAWING NUMBER EE7308AA
		SHEET 1 OF 1



**P.O. BOX 8003
WAUSAU, WI 54401-8003
PH. 715-675-3311**

CERTIFICATION DATA SHEET

CUSTOMER:

CUSTOMER PO#:

ORDER #:

MODEL #: 326TTFCD6012 AA

CONN. DIAGRAM: EE7308AA

CUSTOMER PART

#:

OUTLINE: SS620813

MOUNTING: F1/F2 CAPABLE

WINDING #: HE32002007 2

TYPICAL MOTOR PERFORMANCE DATA

HP	kW	SYNC. RPM	F.L. RPM	FRAME	ENCLOSURE	KVA CODE	DESIGN
50&40	37.0&30.0	3600	3568&2968	326JP	TEFC	G	B

PH	Hz	VOLTS	AMPS	START TYPE	DUTY	INSL	S.F.	AMB°C
3	60/50	230/460&190/380	113/56.5&110/55	Y START D RUN OR INV	CONTINUOUS	F7	1.15/1.15	40

FULL LOAD EFF:	93&93	3/4 LOAD EFF:	93.6	1/2 LOAD EFF:	93	GTD. EFF		ELEC. TYPE	
FULL LOAD PF:	89&89	3/4 LOAD PF:	86.5	1/2 LOAD PF:	79	92.4		SQ CAGE INV RATED	

F.L. TORQUE	LOCKED ROTOR AMPS	L.R. TORQUE	B.D. TORQUE	F.L. RISE°C
73.5 LB-FT	724 / 362	133 LB-FT 180 %	207 LB-FT 280 %	65

SOUND PRESSURE @ 3 FT.	SOUND POWER	ROTOR WK^2	MAX. WK^2	SAFE STALL TIME	STARTS / HOUR	APPROX. MOTOR WGT
75 dBA	85 dBA	5.4 LB-FT^2	27 LB-FT^2	15 SEC.	2	750 LBS.

***** SUPPLEMENTAL INFORMATION *****

DE BRACKET TYPE	ODE BRACKET TYPE	MOUNT TYPE	ORIENTATION	SEVERE DUTY	HAZARDOUS LOCATION	DRIP COVER	SCREENS	PAINT
C-FACE	STANDARD	RIGID	HORIZONTAL	FALSE	DIVISION 2	FALSE	NONE	BLUE (ENAMEL)

BEARINGS		GREASE	SHAFT TYPE	SPECIAL DE	SPECIAL ODE	SHAFT MATERIAL	FRAME MATERIAL
DE	ODE						
BALL	BALL	POLYREX EM	JP	NONE	NONE	1045 HOT ROLLED (C-204)	CAST IRON
6312	6212						

THERMO-PROTECTORS				THERMISTORS	CONTROL	SPACE HEATERS
THERMOSTATS	PROTECTORS	WDG RTDs	BRG RTDs			
NONE	NOT	NONE	NONE	NONE	FALSE	NONE VOLTS

*
N
O
T
E
S
*

INVERTER TORQUE: CONSTANT 4:1/VARIABLE 20:1 INV. HP SPEED RANGE: NONE
ENCODER: NONE NONE NONE NONE NONE PPR
BRAKE: NONE NONE NONE P/N NONE NONE NONE NONE FT-LB NONE V NONE Hz

PREPARED BY: Fareeda Dudekula
DATE: 05/29/2018 07:00:25 AM
FORM 3531 REV.3 02/07/99
** Subject to change without notice.

MARATHON ELECTRIC CORPORATION

TYPICAL PERFORMANCE CURVE for AC MOTOR

Customer

Curve at

460

Volts

HP 50&40

PHASE 3

Model No 326TTFCD6012

60

HZ

VOLTS 230/460&190/380

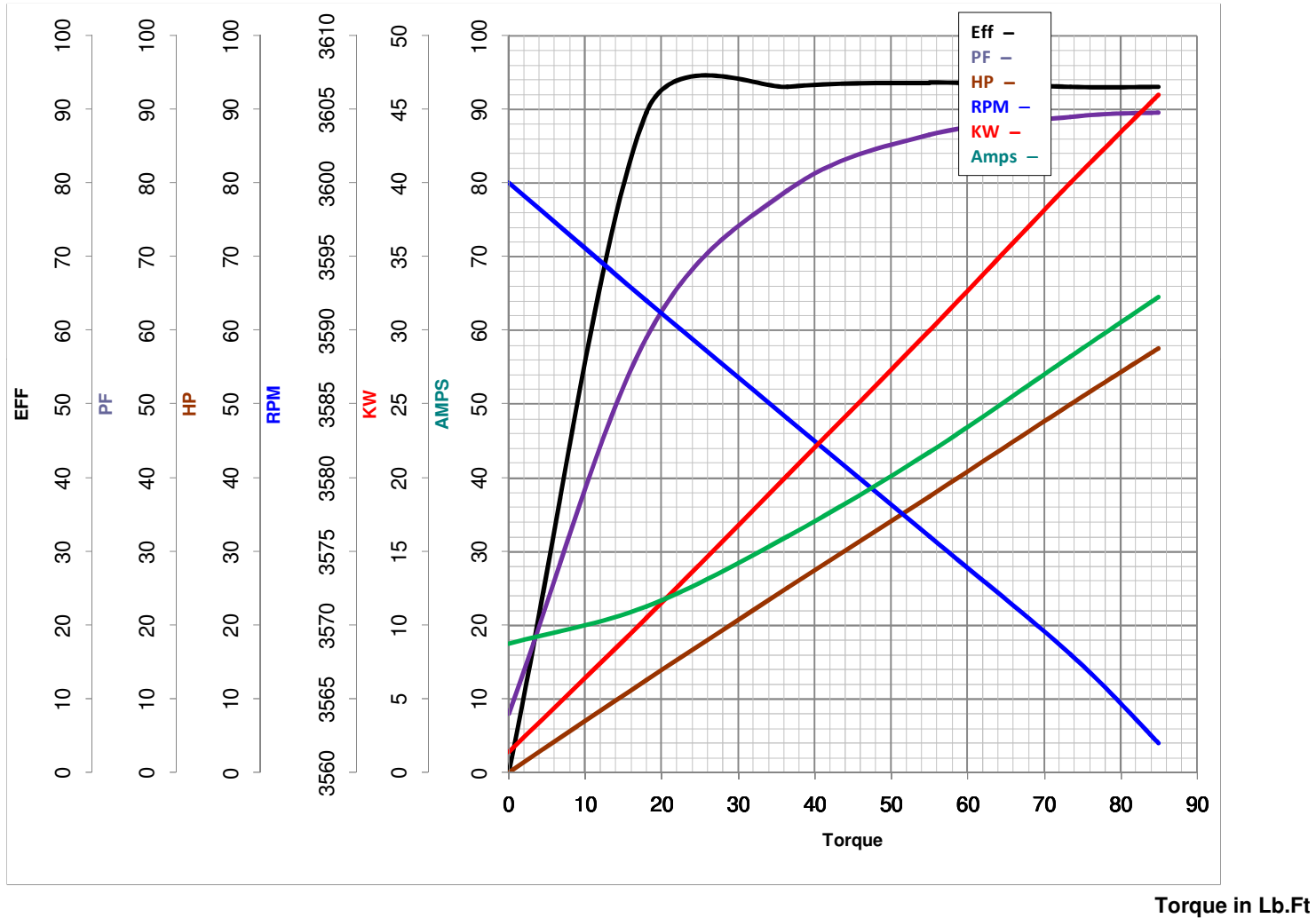
50

HP

Catalog No GT3436A

HZ 60&50

RPM 3568&2968



FL TORQUE 73.5 Lb.Ft

BD TORQUE 207.0 Lb.Ft

LR TORQUE 133 Lb.Ft

FL AMPS 113/56.5

PU TORQUE 118.0 Lb.Ft

LR AMPS 362

WINDING HE32002007-2

Prepared By

FAREEDA

Date 5/29/2018

EC Declaration of Conformity

The undersigned representing
the manufacturer:

Regal Beloit America
100 East Randolph St.
Wausau, WI 54401

and the authorized representative
established within the Community:

Marathon Electric UK
6F Thistleton Road Ind. Estate
Market Overton
Oakham, Rutland LE15 7PP UK

are committed to providing customers with products that comply with applicable regulations and international protocols to which they are subject, including the requirements of the European Parliament Directive on the Harmonization of the laws relating to electrical equipment designed for use within certain voltage limits (2014/35/EU).

Regal Beloit America declares that the following product(s), to which this declaration relates, are in conformity with the relevant sections of the EC standards listed below.

This statement supersedes any statements previously issued pertaining to the product(s) listed below and is subject to change without notice.

Model No : 326TTFCD6012

(Model No. may contain prefix and/or suffix characters)

Catalog No : GT3436A

Rework No : N/A

Directives :

Low Voltage Directive 2014/35/EU

Harmonized Standards Used :

EN 60034-1: 2010 (IEC 60034-1: 2010)

EN 60034-5: 2001/A1:2007 (IEC 60034-5: 2000/A1:2006)

Authorized Representative:



Michael A. Logsdon
Vice President, Technology

Authorized Representative in the Community:



Julian Clark
Marketing Engineer

Created on 09/01/2022

CE 22