

PRODUCT INFORMATION PACKET

Model No: 326TTDR7112

Catalog No: M824

Other Purpose Motor, 25 HP, 3 Ph, 60 Hz, 230/460 V, 900 RPM, 326HPV Frame, DP

Regal and are trademarks of Regal Rexnord Corporation or one of its affiliated companies.
©2022 Regal Rexnord Corporation, All Rights Reserved. MC017097E

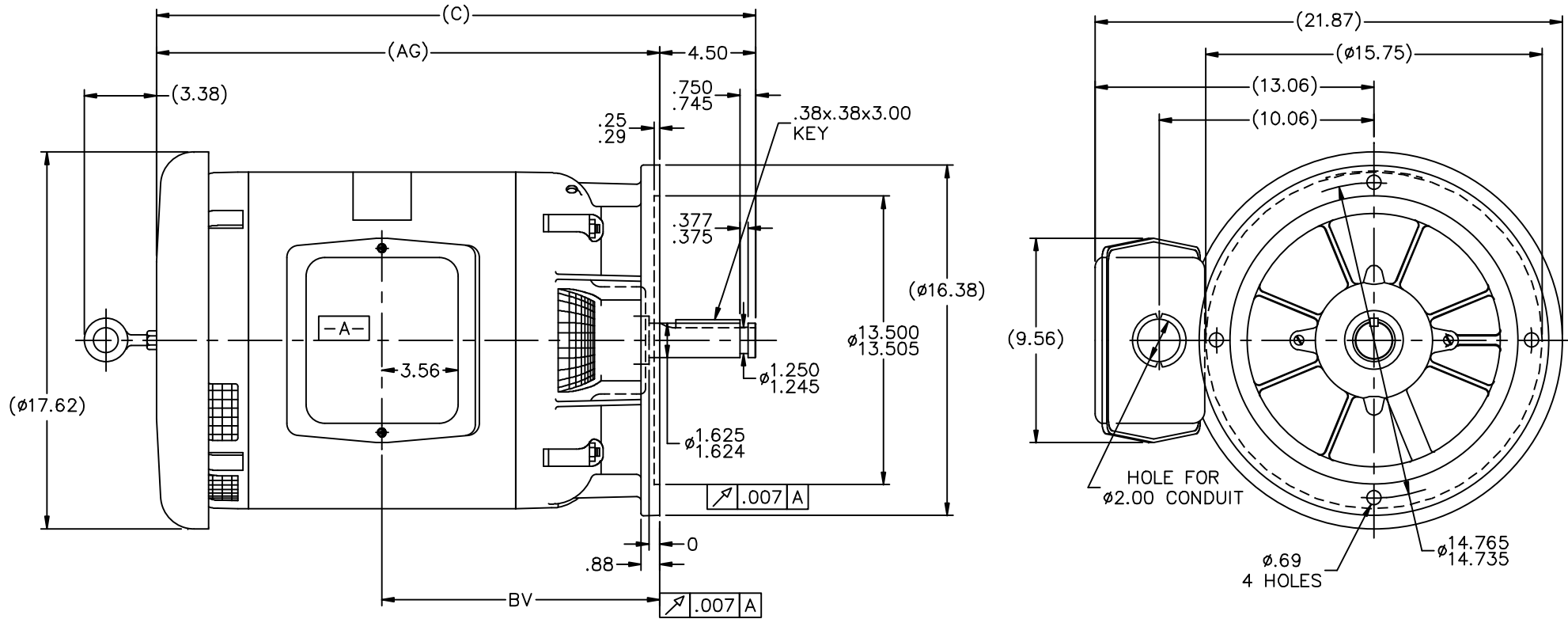


Nameplate Specifications

Output HP	25 Hp	Output KW	18.7 kW
Frequency	60 Hz	Voltage	230/460 V
Current	80.0/40.0 A	Speed	870 rpm
Service Factor	1.15	Phase	3
Efficiency	87.5 %	Power Factor	66.5
Duty	Continuous	Insulation Class	B
Design Code	B	KVA Code	F
Frame	326HPV	Enclosure	Drip Proof
Thermal Protection	No Protection	Ambient Temperature	40 °C
Drive End Bearing Size	6311	Opp Drive End Bearing Size	6311
UL	Recognized	CSA	Y
CE	Y	IP Code	22
Number of Speeds	1		

Technical Specifications

Electrical Type	Squirrel Cage Induction Run	Starting Method	Across The Line
Poles	8	Rotation	Reversible
Resistance Main	.34 Ohms	Mounting	Round
Motor Orientation	Shaft Down	Drive End Bearing	Ball
Opp Drive End Bearing	Ball	Frame Material	Rolled Steel
Shaft Type	HP	Overall Length	30.56 in
Frame Length	15.00 in	Shaft Diameter	1.625 in
Shaft Extension	4.5 in	Assembly/Box Mounting	F1/F2 CAPABLE
Outline Drawing	B-SS28314-1500	Connection Drawing	A-EE7308



- NOTES:
1. C'BOX CAN BE ROTATED IN 90° STEP.
 2. NAMEPLATE TO BE READ FROM SHAFT END OF MOTOR
 3. MAX. SHAFT RUNOUT .002

DASH	FRAME	C	AG	BV
1250	320	28.06	23.56	13.00
1400	320	29.56	25.06	13.75
1450	320	30.06	25.56	14.00
1500	320	30.56	26.06	14.12

16	REVISED NOTE # 2 (ECN 23047)	REP 01-16-2012	BW	TOLERANCES UNLESS SPECIFIED			DRAWN MJD 01-27-1999				
15	ECN 16735	NJS 6/21/2010	BW	DEC.	INCHES		CHK ML 02-01-1999				
14	REVISED NAMEPLATE LOCATION 09-3901	MSG 9/22/2009	DR	.X	±.1		APPD DD 02-01-1999				
13	REDRAWN IN AUTOCAD	TAT 07-22-2004	ML	.XX	±.03		SCALE 7=32				
12	REVISED TO NEC CONDUIT BOX CN 2842B	BJW 02-04-2000		.XXX	±.005		REF				
11	FRAME TYPES NOW 320 CN 27400-327	DRS 08-23-1999		.XXXX	±.0005	MAT'L FMF					
NO.	REVISION	BY & DATE	CHK	ANG	±7°30"	FINISH	PREV				
THIS DRAWING IN DESIGN AND DETAIL IS OUR PROPERTY AND MUST NOT BE USED EXCEPT IN CONNECTION WITH OUR WORK ALL RIGHTS OF DESIGN AND INVENTION ARE RESERVED THIS IS AN ELECTRONICALLY GENERATED DOCUMENT - DO NOT SCALE THIS PRINT						RFP	CAD FILE ss28314	SIZE B	DRAWING NO. SS28314	PAGE OF	REV. 16
						DIST LB					

EE7308

THREE PHASE
DUAL VOLTAGE MOTOR



VIEW OF TERMINAL END

REF.
WINDING DIAGRAM

T8Y, T2Y, T2BL, T4BX, T2EC, T2G
T6BZ, T2B, T6BL, T4AV, T6B, T4B

OPTIONAL CORD
CONNECTION

L1 — WHITE
L2 — RED
L3 — BLACK

NO.	REVISION	BY & DATE	CHK	ANG	TOLERANCES UNLESS SPECIFIED		FINISH	DRAWN RM 11/20/1990				
					DEC.	INCHES						
5	CHG TO REGAL LOGO	SL 09/10/2015	AB					CHK ML 11/21/1990				
4	REVISED IEC NOTATIONS	MSG 11/15/2011	CMN	.X	±.1			APPD SAS 04/24/2003				
3	ADDED IEC NOTATIONS... (U1), (V1) ETC. MU95194	MSG 5/10/2010	MJS	.XX	±.02		TITLE CONNECTION DIAGRAM	SCALE 1=1				
2	ADDED THE OPTIONAL CORD CONNECTION MU46318	RDH 04/24/2003	DRS	.XXX	±.005		3Ø - DUAL VOLTAGE MOTOR	REF				
1	REDRAWN	RM 11/20/1990		.XXXX	±.0005		MAT'L.	FMF				
					±7'30"			PREV				
THIS DRAWING IN DESIGN AND DETAIL IS OUR PROPERTY AND MUST NOT BE USED EXCEPT IN CONNECTION WITH OUR WORK ALL RIGHTS OF DESIGN AND INVENTION ARE RESERVED THIS IS AN ELECTRONICALLY GENERATED DOCUMENT - DO NOT SCALE THIS PRINT							RFP	CAD FILE ee7308	SIZE A	DRAWING NO. EE7308	PAGE OF 5	REV. 5
							DIST WP					

