

PRODUCT INFORMATION PACKET

marathon[®]
Motors

Model No: 326TTDR14034

Catalog No: M834A

Vertical Pump Motor, 50 HP, 3 Ph, 60 Hz, 230/460 V, 1800 RPM, 326HPV Frame, DP

Regal and Marathon are trademarks of Regal Rexnord Corporation or one of its affiliated companies.
©2022 Regal Rexnord Corporation, All Rights Reserved. MC017097E

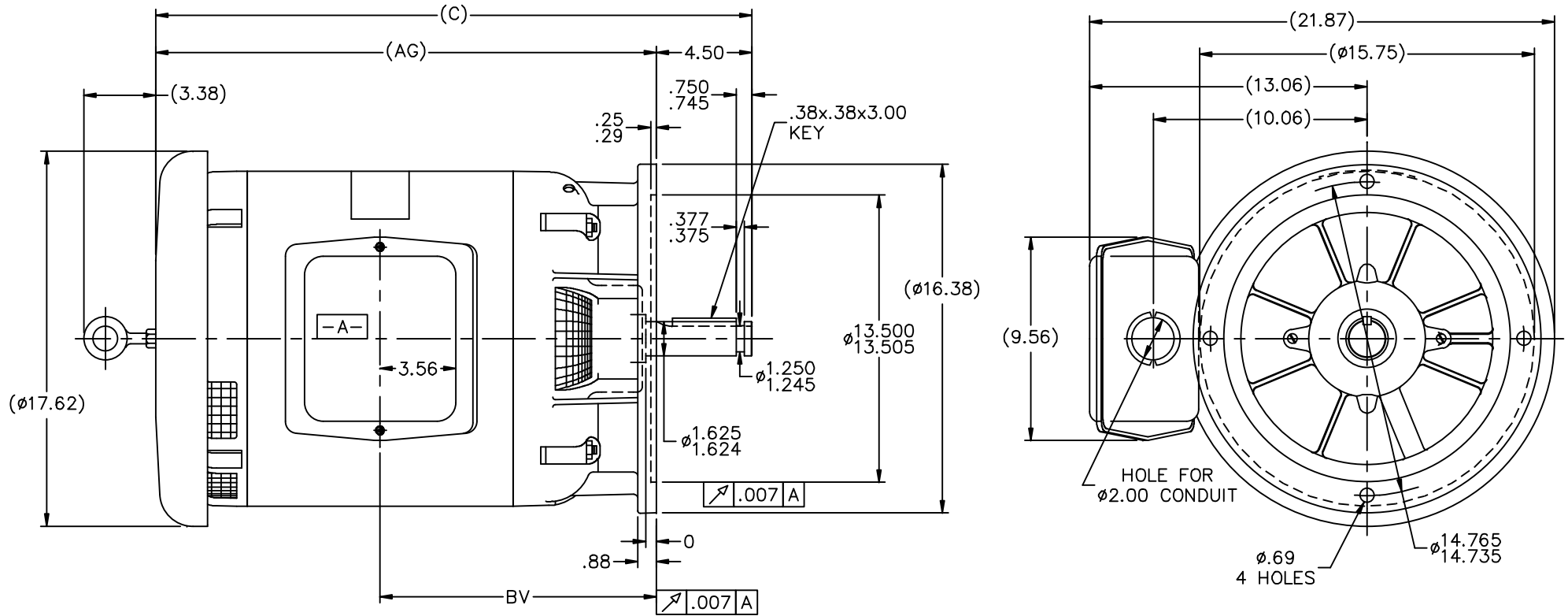
The logo for Regal Rexnord, featuring a stylized 'R' icon followed by the text 'RegalRexnord'.

Nameplate Specifications

Output HP	50 Hp	Output KW	37.3 kW
Frequency	60 Hz	Voltage	230/460 V
Current	123.0/61.5 A	Speed	1770 rpm
Service Factor	1.15	Phase	3
Efficiency	93 %	Power Factor	81.5
Duty	Continuous	Insulation Class	B
Design Code	B	KVA Code	G
Frame	326HPV	Enclosure	Drip Proof
Thermal Protection	No Protection	Ambient Temperature	40 °C
Drive End Bearing Size	6311	Opp Drive End Bearing Size	6311
UL	Recognized	CSA	Y
CE	Y	IP Code	22
Number of Speeds	1		

Technical Specifications

Electrical Type	Squirrel Cage Induction Run	Starting Method	Across The Line
Poles	4	Rotation	Reversible
Resistance Main	.125 Ohms	Mounting	Round
Motor Orientation	Shaft Down	Drive End Bearing	Ball
Opp Drive End Bearing	Ball	Frame Material	Rolled Steel
Shaft Type	HP	Overall Length	30.56 in
Frame Length	15.00 in	Shaft Diameter	1.625 in
Shaft Extension	4.5 in	Assembly/Box Mounting	F1/F2 CAPABLE
Connection Drawing	A-EE7308	Outline Drawing	B-SS28314-1500



- NOTES:
 1. C'BOX CAN BE ROTATED IN 90° STEP.
 2. NAMEPLATE TO BE READ FROM SHAFT END OF MOTOR
 3. MAX. SHAFT RUNOUT .002

DASH	FRAME	C	AG	BV
1250	320	28.06	23.56	13.00
1400	320	29.56	25.06	13.75
1450	320	30.06	25.56	14.00
1500	320	30.56	26.06	14.12

NO.	REVISION	BY & DATE	CHK	ANG	FINISH	PREV
16	REVISED NOTE # 2 (ECN 23047)	REP 01-16-2012	BW	TOLERANCES UNLESS SPECIFIED		
15	ECN 16735	NJS 6/21/2010	BW	DEC. INCHES		
14	REVISED NAMEPLATE LOCATION 09-3901	MSG 9/22/2009	DR	.X ±.1		
13	REDRAWN IN AUTOCAD	TAT 07-22-2004	ML	.XX ±.03		
12	REVISED TO NEC CONDUIT BOX CN 2842B	BJW 02-04-2000	.XXX	±.005	TITLE OUTLINE - 320HP FR.	
11	FRAME TYPES NOW 320 CN 27400-327	DRS 08-23-1999	.XXXX	±.0005	DR. PR. - STEEL C' BOX - 'P' BASE	
					MAT'L.	FMF
						PREV
			RFP		CAD FILE ss28314	SIZE DRAWING NO. PAGE OF REV.
			DIST LB			B SS28314 16





NO.	REVISION	BY & DATE	CHK	ANG	TOLERANCES UNLESS SPECIFIED		FINISH	DRAWN RM 11/20/1990				
					DEC.	INCHES						
5	CHG TO REGAL LOGO	SL 09/10/2015	AB					CHK ML 11/21/1990				
4	REVISED IEC NOTATIONS	MSG 11/15/2011	CMN	.X	±.1			APPD SAS 04/24/2003				
3	ADDED IEC NOTATIONS... (U1), (V1) ETC. MU95194	MSG 5/10/2010	MJS	.XX	±.02		TITLE CONNECTION DIAGRAM	SCALE 1=1				
2	ADDED THE OPTIONAL CORD CONNECTION MU46318	RDH 04/24/2003	DRS	.XXX	±.005		3Ø - DUAL VOLTAGE MOTOR	REF				
1	REDRAWN	RM 11/20/1990		.XXXX	±.0005		MAT'L.	FMF				
					±7'30"			PREV				
THIS DRAWING IN DESIGN AND DETAIL IS OUR PROPERTY AND MUST NOT BE USED EXCEPT IN CONNECTION WITH OUR WORK ALL RIGHTS OF DESIGN AND INVENTION ARE RESERVED THIS IS AN ELECTRONICALLY GENERATED DOCUMENT - DO NOT SCALE THIS PRINT							RFP	CAD FILE ee7308	SIZE A	DRAWING NO. EE7308	PAGE OF 5	REV. 5
							DIST WP					

EC Declaration of Conformity

The undersigned representing
the manufacturer:

Regal Beloit America
100 East Randolph St.
Wausau, WI 54401

and the authorized representative
established within the Community:

Marathon Electric UK
6F Thistleton Road Ind. Estate
Market Overton
Oakham, Rutland LE15 7PP UK

are committed to providing customers with products that comply with applicable regulations and international protocols to which they are subject, including the requirements of the European Parliament Directive on the Harmonization of the laws relating to electrical equipment designed for use within certain voltage limits (2014/35/EU).

Regal Beloit America declares that the following product(s), to which this declaration relates, are in conformity with the relevant sections of the EC standards listed below.

This statement supersedes any statements previously issued pertaining to the product(s) listed below and is subject to change without notice.

Model No : 326TTDR14034

(Model No. may contain prefix and/or suffix characters)

Catalog No : M834A

Rework No : N/A

Directives :

Low Voltage Directive 2014/35/EU

Harmonized Standards Used :

EN 60034-1: 2010 (IEC 60034-1: 2010)

EN 60034-5: 2001/A1:2007 (IEC 60034-5: 2000/A1:2006)

Authorized Representative:



Michael A. Logsdon
Vice President, Technology

Authorized Representative in the Community:



Julian Clark
Marketing Engineer

Created on 09/01/2022

CE 22