

PRODUCT INFORMATION PACKET

Model No: 326TTDP7697

Catalog No: Y218

Other Purpose Motor, 30 HP, 3 Ph, 60 Hz, 460/796 V, 1200 RPM, 326T Frame, DP



Regal and are trademarks of Regal Rexnord Corporation or one of its affiliated companies.
©2022 Regal Rexnord Corporation, All Rights Reserved. MC017097E

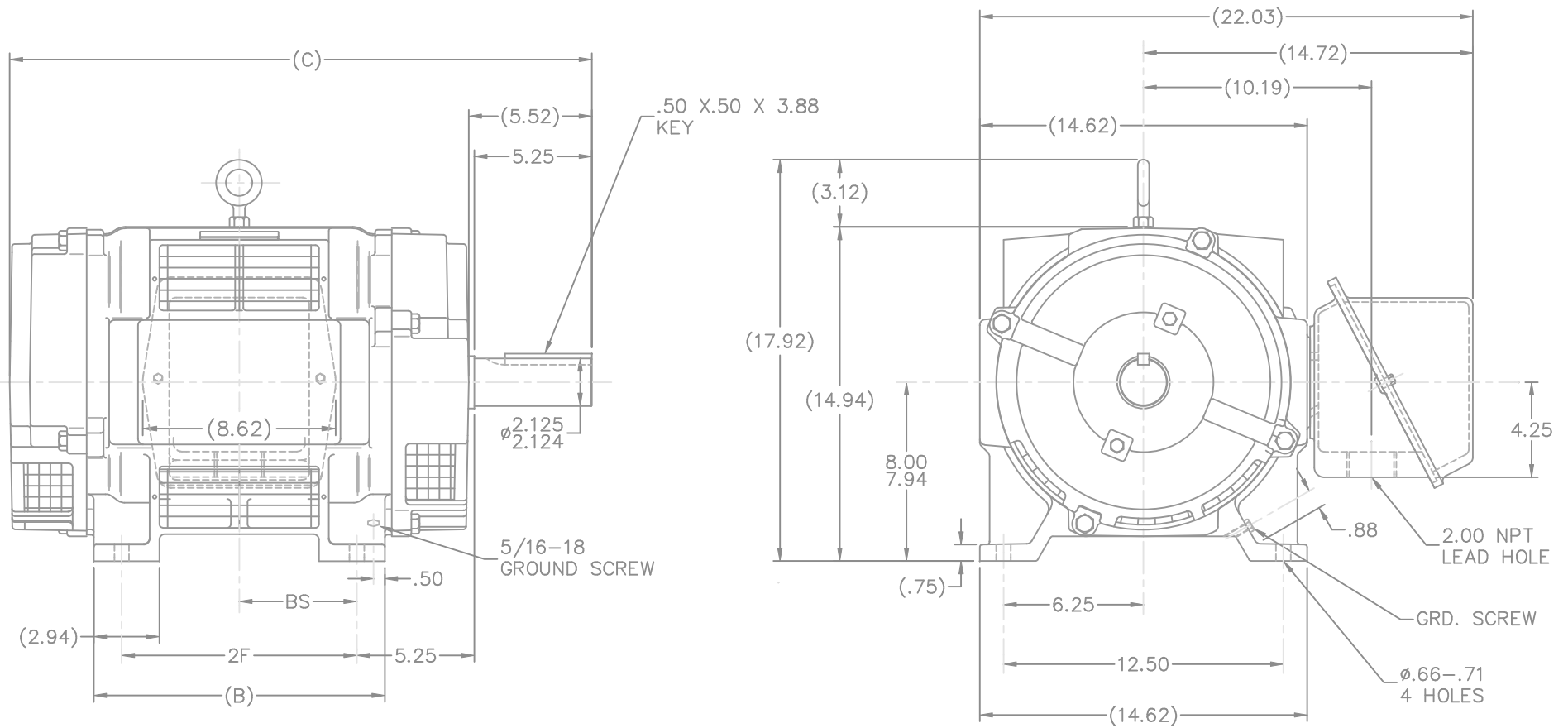
Nameplate Specifications

Output HP	30 Hp	Output KW	22.4 kW
Frequency	60 Hz	Voltage	460/796 V
Current	40.0/23.1 A	Speed	1130 rpm
Service Factor	1.15	Phase	3
Efficiency	88.5 %	Power Factor	79.5
Duty	Oil Well	Insulation Class	F
Design Code	D	KVA Code	H
Frame	326T	Enclosure	Drip Proof
Thermal Protection	No Protection	Ambient Temperature	40 °C
Drive End Bearing Size	6312	Opp Drive End Bearing Size	6311
UL	Recognized	CSA	N
CE	N	IP Code	23
Number of Speeds	1		

Technical Specifications

Electrical Type	Squirrel Cage Induction Run	Starting Method	Across The Line
Poles	6	Rotation	Reversible
Resistance Main	.265 Ohms	Mounting	Rigid Base
Motor Orientation	Horizontal	Drive End Bearing	Ball
Opp Drive End Bearing	Ball	Frame Material	Cast Iron
Shaft Type	T	Overall Length	27.50 in
Frame Length	15.12 in	Shaft Diameter	2.125 in
Shaft Extension	5.52 in	Assembly/Box Mounting	F2/F1 Capable
Connection Drawing	A-EE7304H	Outline Drawing	B-SS200218-1512

This is an uncontrolled document once printed or downloaded and is subject to change without notice. Date Created:09/07/2022



NOTES:

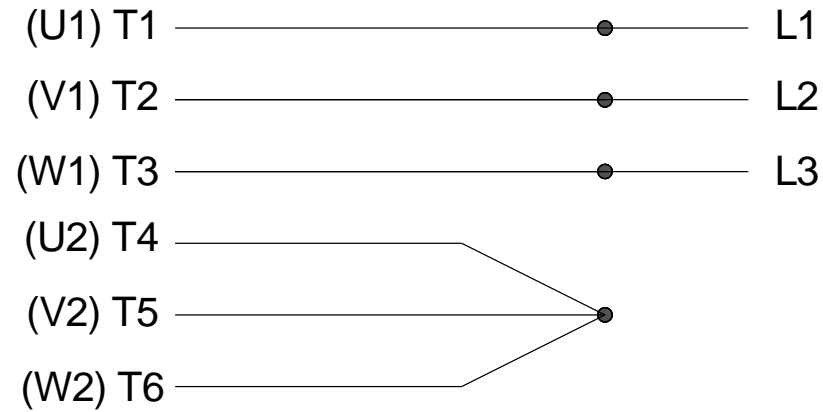
1. BOX CAN BE ROTATED IN 90° STEPS
2. BOX CAN BE MOUNTED F1 ON OPPOSITE SIDE BY REMOVING BRACKETS AND TURNING FRAME 180°
3. NAMEPLATE TO BE READ FROM CONDUIT BOX SIDE OF MOTOR

(SS200150)

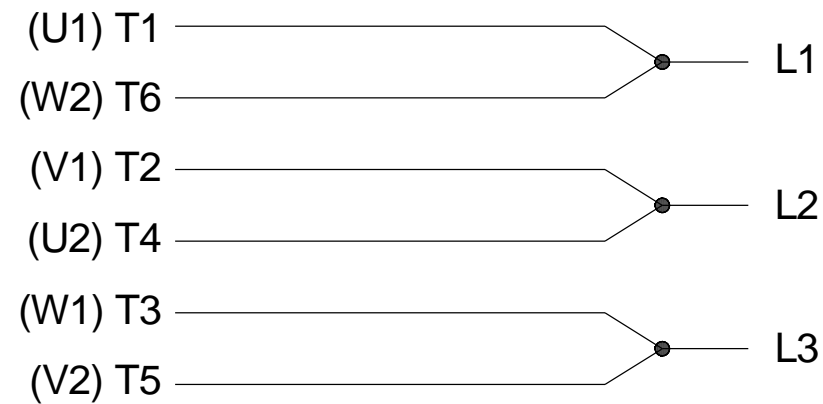
DASH	FRAME	B	C	2F	BS
1362	324T	13.00	26.00	10.50	5.25
1512	326T	14.50	27.50	12.00	6.00

				TOLERANCES UNLESS SPECIFIED		MARATHON ELECTRIC		DRAWN JL 07-30-1990			
				DEC.	INCHES			CHK ML 07-30-1990			
6	REDRAWN IN AUTOCAD	TAT 06-13-2005	ML	.X	±.1			APPD GK 07-30-1990			
5	UPDATED C'BOX GEOMETRY CN 28424	DRS 01-06-2000		.XX	±.03	TITLE OUTLINE-DR.PR.-CAST IRON C' BOX THD'D		SCALE 7=32			
4	UPDATED SHAFT HEIGHT CN 16763	DRS 09-27-1996		.XXX	±.005	320 FR.-D.E.V.-SCREENED-GROUND SCREW		REF			
3	REVISED TO F2 MOUNTING	DA 09-22-1992		.XXXX	±.0005	MAT'L		FMF			
NO.	REVISION	BY & DATE	CHK	ANG	±7'30"	FINISH	PREV				
THIS DRAWING IN DESIGN AND DETAIL IS OUR PROPERTY AND MUST NOT BE USED EXCEPT IN CONNECTION WITH OUR WORK ALL RIGHTS OF DESIGN AND INVENTION ARE RESERVED THIS IS AN ELECTRONICALLY GENERATED DOCUMENT - DO NOT SCALE THIS PRINT						RFP	CAD FILE ss200218	SIZE B	DRAWING NO. SS200218	PAGE OF 6	REV. 6
						DIST WA					

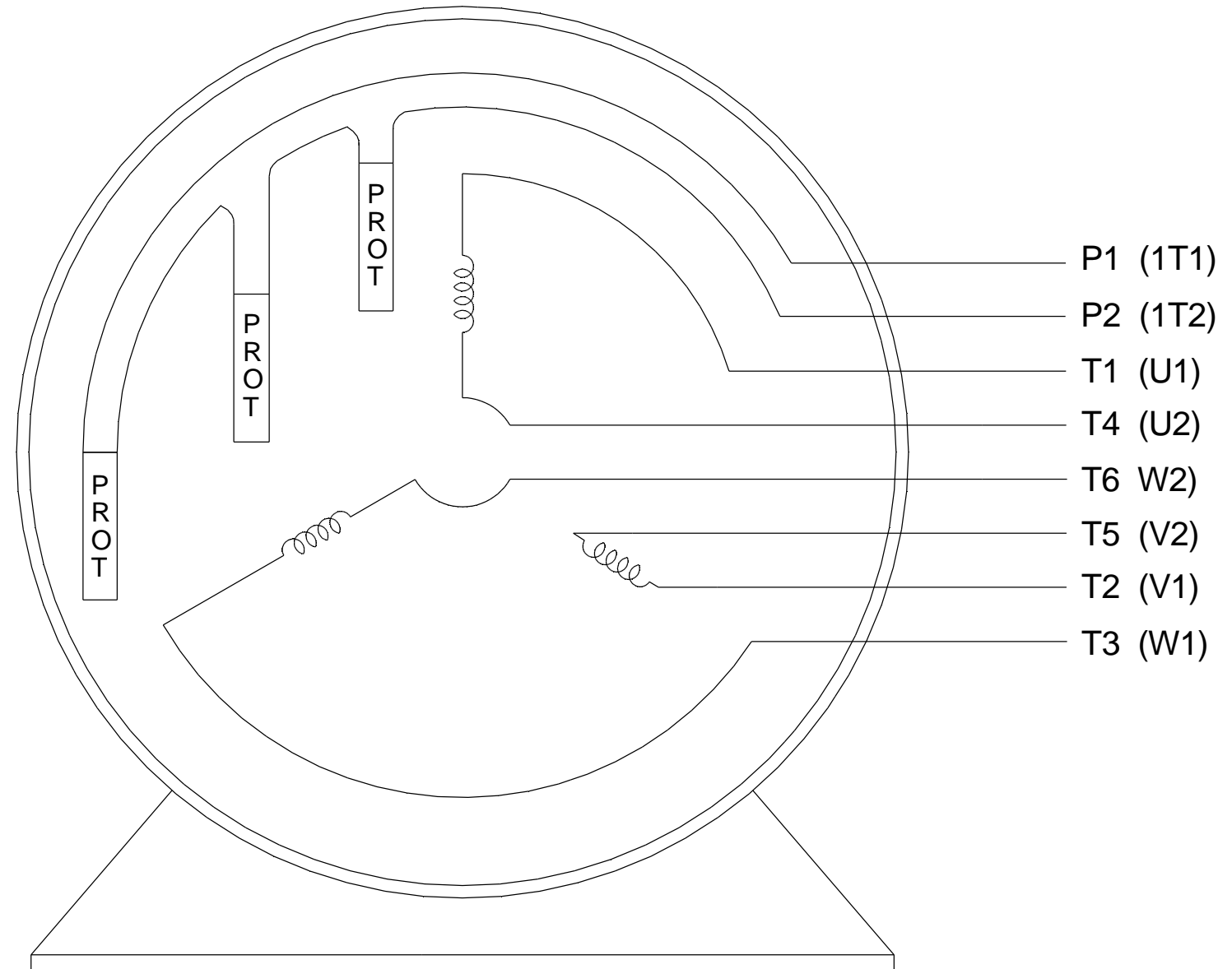
"Y" RUN



"Δ" BOOST



WHEN MORE THAN ONE
PROTECTOR IS USED,
CONNECT IN SERIES



VIEW OF TERMINAL END
3 ∅ DUAL VOLTAGE MOTOR

DRAWING REVISION A	REVISION BY HV	DATE 12-17-2014	TOLERANCES UNLESS OTHERWISE SPECIFIED: DEC. INCH mm ANGLE .X ±0.1 [±2.5] ±0.5° .XX ±0.01 [±0.25] XXX ±0.005 [±0.127] .XXXX ±0.0005 [±0.0127] REMOVE BURRS & BREAK SHARP EDGES: .003/.015 [.076/.381] CORNER FILLETS: .02 [.51] MACHINED SURFACES: 125/3.2 INCH mm mm SHOWN IN [BRACKETS]	DRAWN BY BLR	Regal Beloit America, Inc.
ECO ECO-0065198	APPROVED BY EMH	DATE 12-17-2014		DATE 03-07-1998	
ECO DESCRIPTION REDRAWN IN SOLIDWORKS, REMOVED GRND. NOTE				APPROVED BY ML	DESCRIPTION CONN DIAGRAM-EXTERNAL DUAL VOLTAGE - 3 PHASE - 6 LEAD DELTA - Y
COPYRIGHT REGAL BELOIT AMERICA, INC. ALL RIGHTS RESERVED. PROPRIETARY AND CONFIDENTIAL INFORMATION - THIS DOCUMENT IS THE PROPERTY OF REGAL BELOIT AMERICA, INC. ("OWNER") AND CONTAINS OWNER'S PROPRIETARY INFORMATION. ANY PERSON, CORPORATION OR OTHER FIRM RECEIVING IT IS DEEMED, BY RECEIVING IT, TO AGREE THAT IT, AND/OR ANY PART OF IT, SHALL NOT BE DISCLOSED TO ANY PERSON, CORPORATION OR OTHER ENTITY, DUPLICATED, AND/OR USED, EXCEPT AS EXPRESSLY APPROVED IN WRITING IN ADVANCE BY OWNER. THIS DOCUMENT SHALL BE RETURNED TO OWNER UPON REQUEST. IT MAY BE SUBJECT TO CERTAIN RESTRICTIONS UNDER APPLICABLE EXPORT CONTROL LAWS AND REGULATIONS.				DATE 03-23-1998	MATERIAL
				REFERENCE	PROCESS/FINISH
			THIRD ANGLE PROJECTION	SIZE A	DRAWING NUMBER EE7304H
					SHEET 1 OF 1

CERTIFICATION DATA SHEET

Model#: 326TTDP7697 AD
CONN. DIAGRAM: A-EE7304H
OUTLINE: B-SS200218-1512

WINDING#: 286664 NONE 3
ASSEMBLY: F2/F1 CAPABLE

TYPICAL MOTOR PERFORMANCE DATA

HP	KW	SYNC. RPM	F.L. RPM	FRAME	ENCLOSURE	KVA CODE	DESIGN
30	22.4	1200	1130	326T	DP	H	D

PH	Hz	VOLTS	FL AMPS	START TYPE	DUTY	INSL	S.F	AMB°C	ELEVATION
3	60	460/796	40/23.1	ACROSS THE LINE	OIL WELL	F3	1.15	40	3300

FULL LOAD EFF: 88.5	3/4 LOAD EFF: 88.5	1/2 LOAD EFF: 87.5	GTD. EFF	ELEC. TYPE	NO LOAD AMPS
FULL LOAD PF: 79.5	3/4 LOAD PF: 75	1/2 LOAD PF: 63.5	86.5	SQ CAGE IND RUN	19 / 11

F.L. TORQUE	LOCKED ROTOR AMPS	L.R. TORQUE	B.D. TORQUE	F.L. RISE°C
139 LB-FT	240 / 138.7	396 LB-FT 285	464 LB-FT 334	70

SOUND PRESSURE @ 3 FT.	SOUND POWER	ROTOR WK^2	MAX. WK^2	SAFE STALL TIME	STARTS /HOUR	APPROX. MOTOR WGT
69 dBA	79 dBA	4.9 LB-FT^2	- LB-FT^2	- SEC.	-	490 LBS.

***** SUPPLEMENTAL INFORMATION *****

DE BRACKET TYPE	ODE BRACKET TYPE	MOUNT TYPE	ORIENTATION	SEVERE DUTY	HAZARDOUS LOCATION	DRIP COVER	SCREENS	PAINT
STANDARD	STANDARD	RIGID	HORIZONTAL	FALSE	NONE	FALSE	RODENT	GRAY (ENAMEL)

BEARINGS		GREASE	SHAFT TYPE	SPECIAL DE	SPECIAL ODE	SHAFT MATERIAL	FRAME MATERIAL
DE	OPE						
BALL	BALL	POLYREX EM	T	NONE	NONE	1045 HOT ROLLED (C-204)	CAST IRON
6312	6311						

THERMO-PROTECTORS				THERMISTORS	CONTROL	SPACE /n HEATERS
THERMOSTATS	PROTECTORS	WDG RTDs	BRG RTDs			
TSTATS (N/C)	NOT	NONE	NONE	NONE	FALSE	NONE VOLTS

If Inverter equals NONE, contact factory for further information

*
N
O
T
E
S
*

INVERTER TORQUE: NONE
INV. HP SPEED RANGE: NONE
ENCODER: NONE
NONE NONE
NONE NONE PPR
BRAKE: NONE NONE
NONE P/N NONE
NONE NONE
NONE FT-LB NONE V NONE Hz

DATE: 06/21/2017 06:50:25 AM
 FORM 3531 REV.3 02/07/99
 ** Subject to change without notice.

Data Sheet

Date: 6/19/2017

Customer: _____

Attention: _____

Submitted by: FAREEDA DUDEKULA



326TTDP7697

Submittal

Data @ 460 V

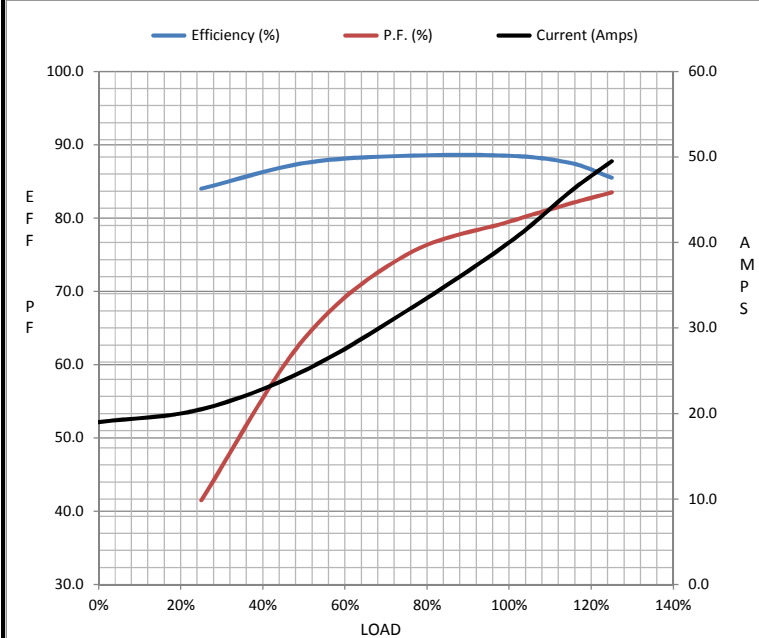
Motor Load Data

Load	0%	25%	50%	75%	100%	115%	125%	LR
Current (Amps)	19.0	20.5	25.0	32.0	40.0	46.0	49.5	240
Torque (ft-lb)	0.00	33.0	67.0	102	139	160	177	396
RPM	1200	1185	1170	1150	1130	1,115	1105	0
Efficiency (%)		84.0	87.5	88.5	88.5	87.5	85.5	
P.F. (%)	7.0	41.5	63.5	75.0	79.5	82.0	83.5	49.5

Motor Speed Data

	LR	Pull-Up	BD	Rated	Idle
Speed (RPM)	0	600	643	1130	1200
Current (Amps)	240	209	203	40.0	19.0
Torque (ft-lb)	396	453	464	139	0.00

Information Block				
HP	30.0			
Sync. RPM	1200			
Frame	326			
Enclosure	DP			
Construction	TDP			
Voltage	460/796 V			
Frequency	60 Hz			
Design	B			
LR Code letter	H			
Service Factor	1.15			
Temp Rise @ FL	70 °C			
Duty	CONT			
Ambient	40 °C			
Elevation	1,000 feet			
Rotor/Shaft wk ²	4.9 Lb-Ft ²			
Ref Wdg	286664 NONE			
Sound Pressure @ 1M	69 dBA			
VFD Rating	NONE			
Outline Dwg	B-SS200218-1512			
Conn. Diag	A-EE7304H			
Additional Specifications:				
0				
0				
EQUIV CKT (OHMS / PHASE)				
R1	R2	X1	X2	Xm
0.1540	0.4260	0.8890	0.4710	13.8450



Speed -Torque Curve

