

# PRODUCT INFORMATION PACKET

Model No: 326TSTDP4310

Catalog No: U447

Other Purpose Motor, 60 & 50 HP, 3 Ph, 60 & 50 Hz, 230/460 & 190/380 V, 3600 & 3000 RPM,  
326TSC Frame, DP



Regal and Marathon are trademarks of Regal Rexnord Corporation or one of its affiliated companies.

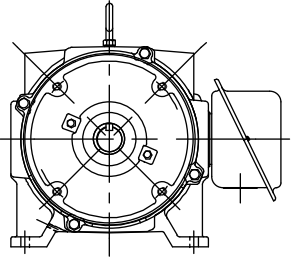
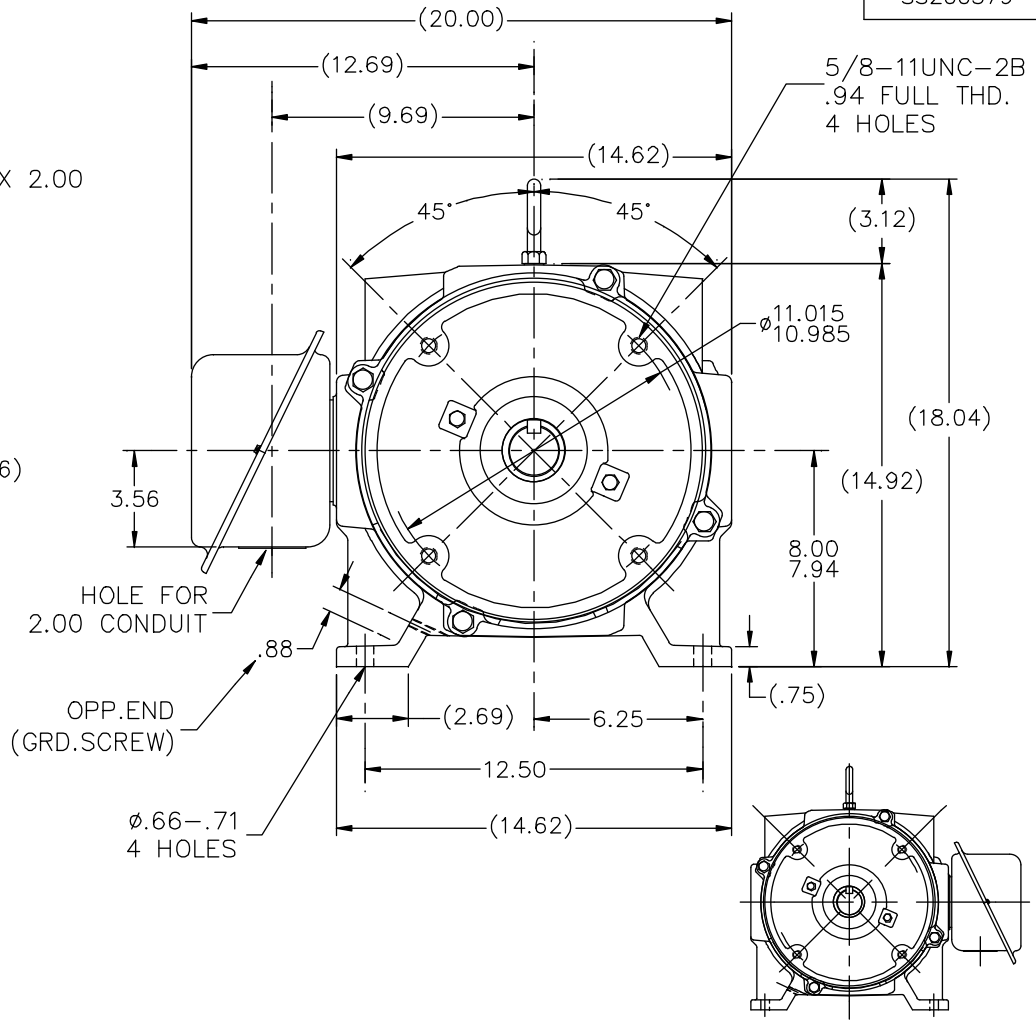
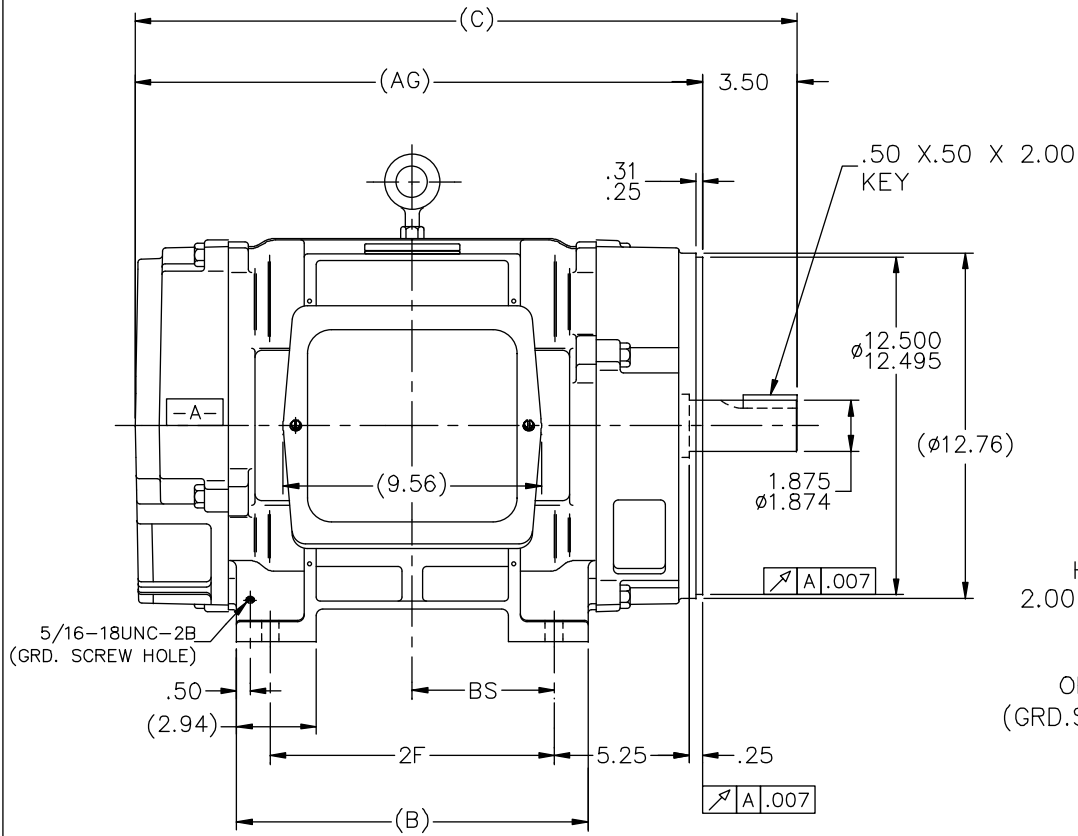
©2023 Regal Rexnord Corporation, All Rights Reserved. MC017097E

### Nameplate Specifications

Phase	3	Output HP	60 & 50 Hp
Output KW	45.0 & 37.0 kW	Voltage	230/460 & 190/380 V
Speed	3555 & 2955 rpm	Service Factor	1.15 & 1.15
Frame	326TSC	Enclosure	Drip Proof
Thermal Protection	No Protection	Efficiency	93 & 93 %
Ambient Temperature	40 °C	Frequency	60 & 50 Hz
Current	135/67.5 & 136/68 A	Power Factor	89
Duty	Continuous	Insulation Class	B
Design Code	B	KVA Code	G
Drive End Bearing Size	6312	Opp Drive End Bearing Size	6311
UL	Recognized	CSA	Y
CE	Y	IP Code	12
Number of Speeds	1		

### Technical Specifications

Electrical Type	Squirrel Cage Induction Run	Starting Method	Part Wdg Start Low Volt Only & Wye Start Delta Run
Poles	2	Rotation	Reversible
Resistance Main	.14 Ohms	Mounting	Rigid Base
Motor Orientation	Horizontal	Drive End Bearing	Ball
Opp Drive End Bearing	Ball	Frame Material	Cast Iron
Shaft Type	TS	Overall Length	26.00 in
Frame Length	15.12 in	Shaft Diameter	1.875 in
Shaft Extension	3.5 in	Assembly/Box Mounting	F1/F2 CAPABLE
Outline Drawing	B-SS200379-1512	Connection Drawing	A-EE7358



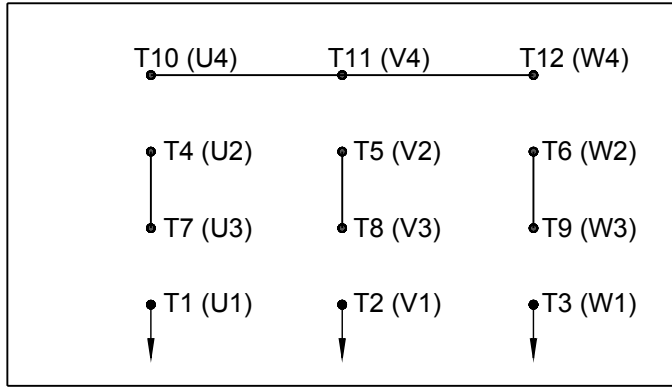
- NOTES:  
 1. BOX CAN BE ROTATED IN 90° STEPS  
 2. BOX CAN BE MOUNTED ON OPPOSITE SIDE BY REMOVING BRACKETS AND TURNING FRAME 180°  
 3. NAMEPLATE TO BE READ FROM CONDUIT BOX SIDE OF MOTOR

DASH	FRAME	B	C	2F	BS	AG
1362	324TSC	13.00	24.50	10.50	5.25	21.00
1512	326TSC	14.50	26.00	12.00	6.00	22.50

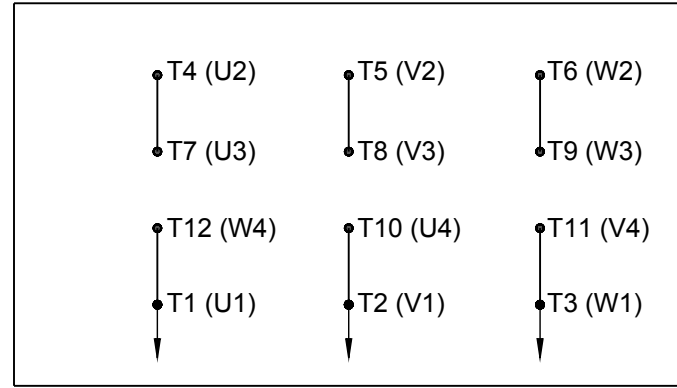
NO.	REVISION	BY & DATE	CHK	ANG	TOLERANCES UNLESS SPECIFIED		MARATHON ELECTRIC	DRAWING NO.	PAGE OF	REV.		
					CMN	DEC.					INCHES	
6	ADDED F2 VIEW	CDP 09-08-2011	CMN	DEC.			TITLE OUTLINE - DR. PR. - CAST IRON 320TSC FR. - BB - TS - D.E.V. MAT'L. FINISH	DA 05-22-1992				
5	REDRAWN IN AUTOCAD	TAT 06-29-2004	ML	.X	±.1			CHK TB 05-22-1992				
4	REVISED TO NEC CONDUIT BOX CN 28428	NJS 02-16-2000		.XX	±.03			APPD GK 05-22-1992				
3	ADDED 5/16 GROUND SCREW HOLE CN 21725-1005	DRS 11-05-1996		.XXX	±.005			SCALE 7-32				
2	UPDATED SHAFT HEIGHT CN 16763	DRS 08-16-1996		.XXXX	±.0005			REF				
1								FMF				
THIS DRAWING IN DESIGN AND DETAIL IS OUR PROPERTY AND MUST NOT BE USED EXCEPT IN CONNECTION WITH OUR WORK ALL RIGHTS OF DESIGN AND INVENTION ARE RESERVED THIS IS AN ELECTRONICALLY GENERATED DOCUMENT - DO NOT SCALE THIS PRINT								RFP	CAD FILE ss200379	SIZE B	DRAWING NO. SS200379	PAGE OF 5
								DIST LB				

# HIGH VOLTAGE

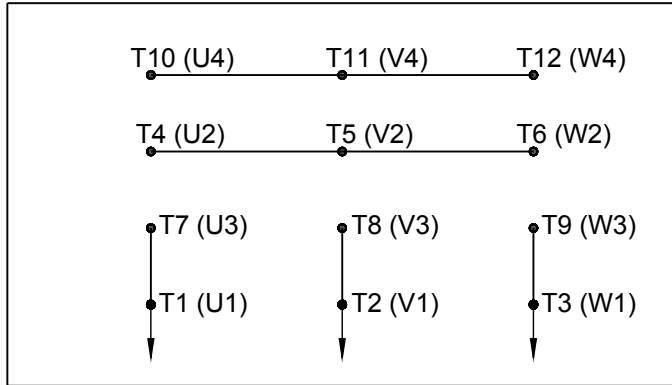
WYE START



DELTA RUN

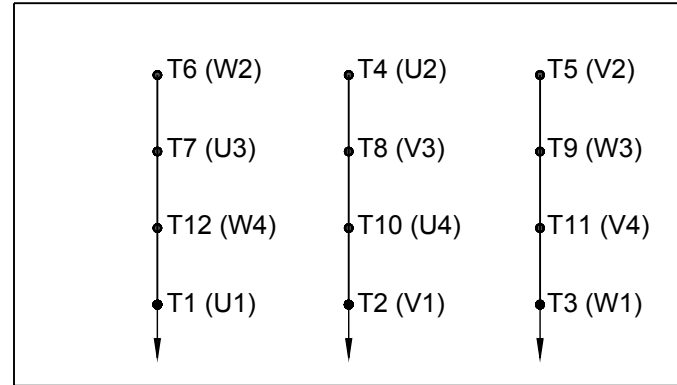


WYE START



# LOW VOLTAGE

DELTA RUN

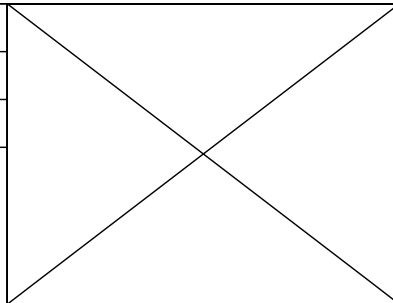


4/2 CKTY  $\triangle$

DRAWING REVISION D	REVISION BY JWO	DATE 01-26-2016
ECO ECO-0092547	APPROVED BY TB	DATE 01-26-2016

ECO DESCRIPTION  
**ADDED IEC MARKINGS**

COPYRIGHT REGAL BELOIT AMERICA, INC. ALL RIGHTS RESERVED. PROPRIETARY AND CONFIDENTIAL INFORMATION - THIS DOCUMENT IS THE PROPERTY OF REGAL BELOIT AMERICA, INC. ("OWNER") AND CONTAINS OWNER'S PROPRIETARY INFORMATION. ANY PERSON, CORPORATION OR OTHER FIRM RECEIVING IT IS DEEMED, BY RECEIVING IT, TO AGREE THAT IT, AND/OR ANY PART OF IT, SHALL NOT BE DISCLOSED TO ANY PERSON, CORPORATION OR OTHER ENTITY, DUPLICATED, AND/OR USED, EXCEPT AS EXPRESSLY APPROVED IN WRITING IN ADVANCE BY OWNER. THIS DOCUMENT SHALL BE RETURNED TO OWNER UPON REQUEST. IT MAY BE SUBJECT TO CERTAIN RESTRICTIONS UNDER APPLICABLE EXPORT CONTROL LAWS AND REGULATIONS.



DRAWN BY BLR		Regal Beloit America, Inc.
DATE 03-09-1998		
APPROVED BY GK	DESCRIPTION <b>CONN DIAGRAM-EXTERNAL</b>	
DATE 03-23-1998	12 LEAD - DUAL VOLT. - WYE START - DELTA RUN	
REFERENCE	MATERIAL	PROCESS/FINISH
THIRD ANGLE PROJECTION	SIZE A	DRAWING NUMBER EE7358

SHEET 1 OF 1	
-----------------	--