

# PRODUCT INFORMATION PACKET

marathon®  
Motors

Model No: 326TSTDP4055

Catalog No: U446

Other Purpose Motor, 50 & 40 HP, 3 Ph, 60 & 50 Hz, 230/460 & 190/380 V, 1800 & 1500 RPM,  
326TSC Frame, DP



Regal and Marathon are trademarks of Regal Rexnord Corporation or one of its affiliated companies.

©2023 Regal Rexnord Corporation, All Rights Reserved. MC017097E

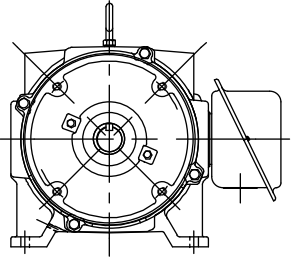
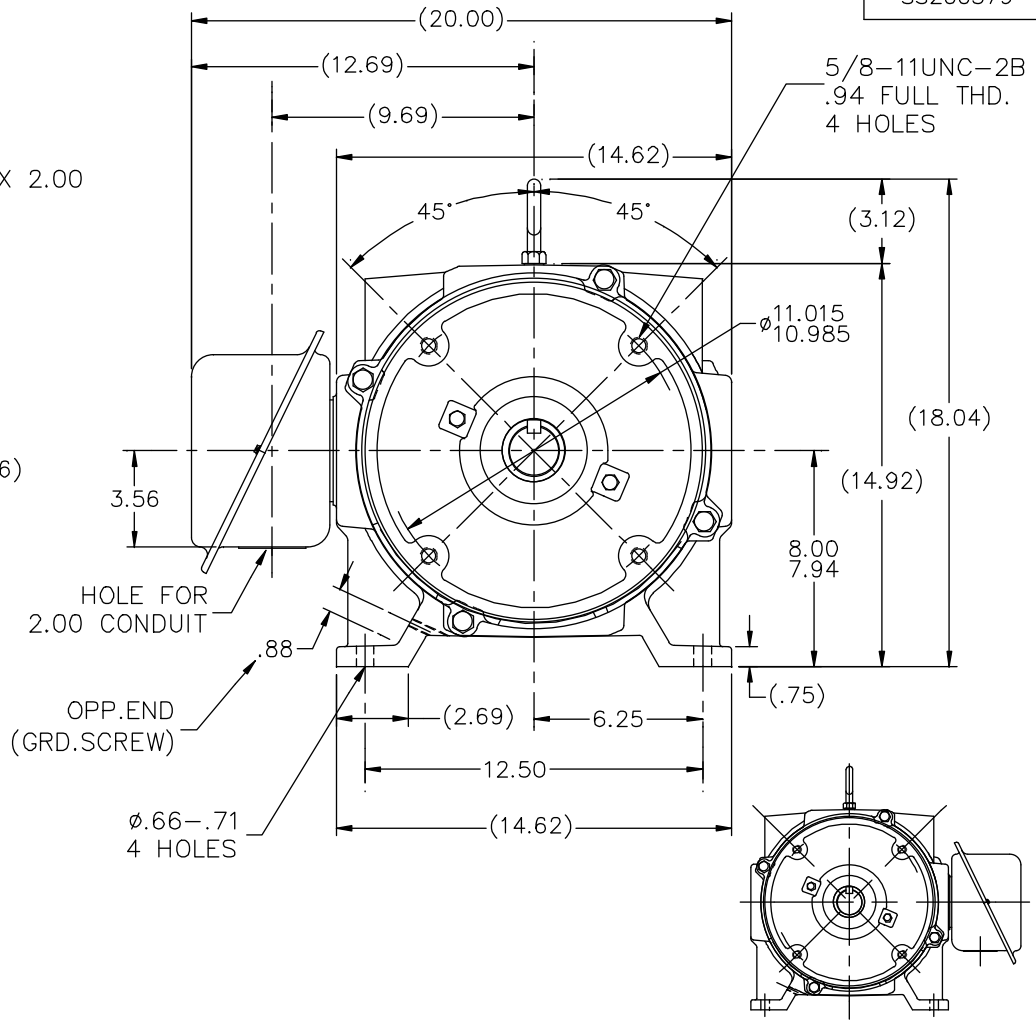
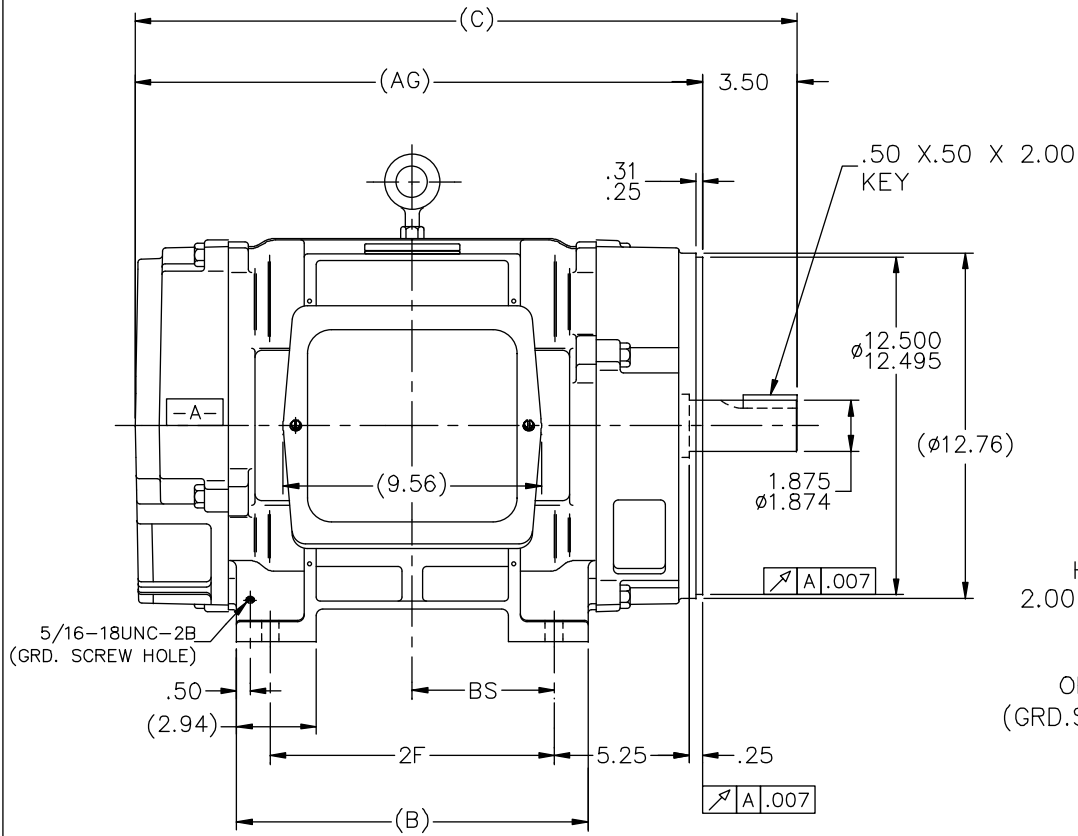
RegalRexnord

### Nameplate Specifications

Phase	3	Output HP	50 & 40 Hp
Output KW	37.0 & 30.0 kW	Voltage	230/460 & 190/380 V
Speed	1770 & 1470 rpm	Service Factor	1.15 & 1.15
Frame	326TSC	Enclosure	Drip Proof
Thermal Protection	No Protection	Efficiency	93 & 93 %
Ambient Temperature	40 °C	Frequency	60 & 50 Hz
Current	123/61.5 & 120/60 A	Power Factor	81.5
Duty	Continuous	Insulation Class	B
Design Code	B	KVA Code	G
Drive End Bearing Size	6312	Opp Drive End Bearing Size	6311
UL	Recognized	CSA	Y
CE	Y	IP Code	12
Number of Speeds	1		

### Technical Specifications

Electrical Type	Squirrel Cage Induction Run	Starting Method	Part Wdg Start Low Volt Only & Wye Start Delta Run
Poles	4	Rotation	Reversible
Resistance Main	.125 Ohms	Mounting	Rigid Base
Motor Orientation	Horizontal	Drive End Bearing	Ball
Opp Drive End Bearing	Ball	Frame Material	Cast Iron
Shaft Type	TS	Overall Length	26.00 in
Frame Length	15.12 in	Shaft Diameter	1.875 in
Shaft Extension	3.5 in	Assembly/Box Mounting	F1/F2 CAPABLE
Outline Drawing	B-SS200379-1512	Connection Drawing	A-EE7358



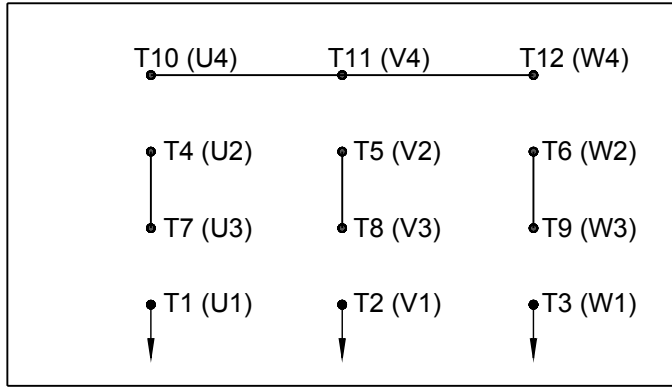
- NOTES:  
 1. BOX CAN BE ROTATED IN 90° STEPS  
 2. BOX CAN BE MOUNTED ON OPPOSITE SIDE BY REMOVING BRACKETS AND TURNING FRAME 180°  
 3. NAMEPLATE TO BE READ FROM CONDUIT BOX SIDE OF MOTOR

DASH	FRAME	B	C	2F	BS	AG
1362	324TSC	13.00	24.50	10.50	5.25	21.00
1512	326TSC	14.50	26.00	12.00	6.00	22.50

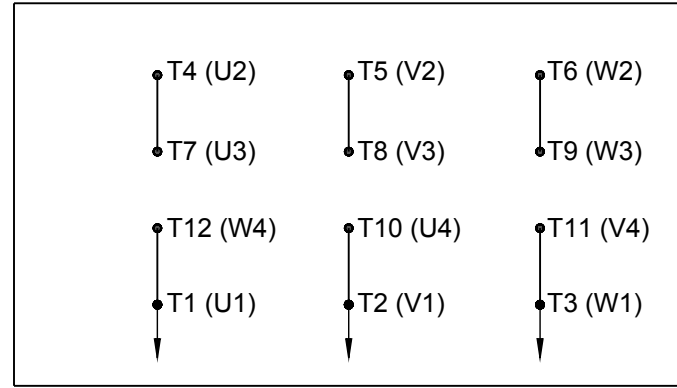
		TOLERANCES UNLESS SPECIFIED		MARATHON ELECTRIC		DRAWING NO. PAGE OF REV.	
NO.	REVISION	BY & DATE	CHK	ANG	FINISH	SIZE	DRAWING NO. PAGE OF REV.
6	ADDED F2 VIEW	CDP 09-08-2011	CMN	DEC.	INCHES		DA 05-22-1992
5	REDRAWN IN AUTOCAD	TAT 06-29-2004	ML	.X	±.1		TB 05-22-1992
4	REVISED TO NEC CONDUIT BOX CN 28428	NJS 02-16-2000		.XX	±.03		APPD GK 05-22-1992
3	ADDED 5/16 GROUND SCREW HOLE CN 21725-1005	DRS 11-05-1996		.XXX	±.005	TITLE OUTLINE - DR. PR. - CAST IRON	SCALE 7-32
2	UPDATED SHAFT HEIGHT CN 16763	DRS 08-16-1996		.XXXX	±.0005	320TSC FR. - BB - TS - D.E.V.	REF
						MAT'L.	FMF
						FINISH	PREV
			RFP			CAD FILE ss200379	
			DIST	LB			

# HIGH VOLTAGE

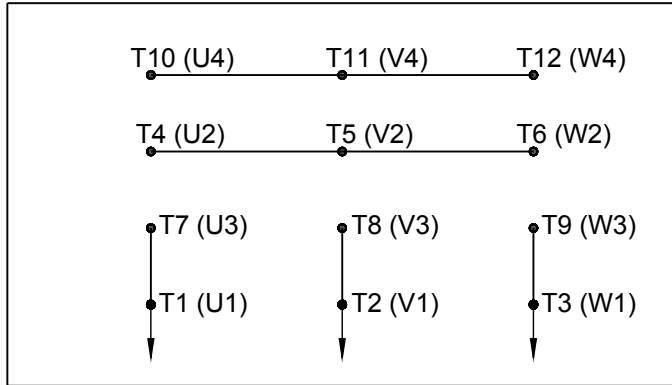
WYE START



DELTA RUN

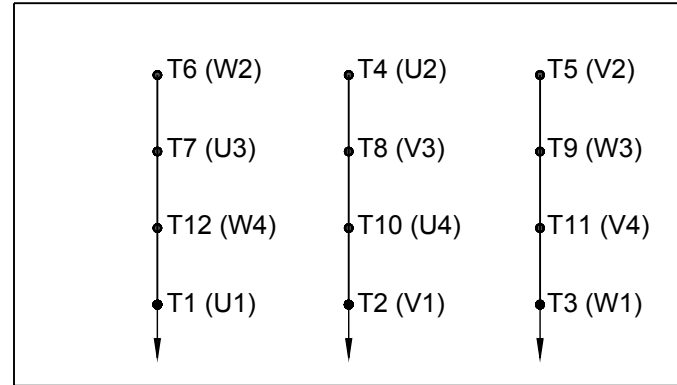


WYE START



# LOW VOLTAGE


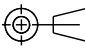
DELTA RUN



4/2 CKTY  $\triangle$

DRAWING REVISION D	REVISION BY JWO	DATE 01-26-2016
ECO ECO-0092547	APPROVED BY TB	DATE 01-26-2016
ECO DESCRIPTION <b>ADDED IEC MARKINGS</b>		
<small>COPYRIGHT REGAL BELOIT AMERICA, INC. ALL RIGHTS RESERVED.          PROPRIETARY AND CONFIDENTIAL INFORMATION - THIS DOCUMENT IS THE PROPERTY OF          REGAL BELOIT AMERICA, INC. ("OWNER") AND CONTAINS OWNER'S PROPRIETARY          INFORMATION. ANY PERSON, CORPORATION OR OTHER FIRM RECEIVING IT IS DEEMED,          BY RECEIVING IT, TO AGREE THAT IT, AND/OR ANY PART OF IT, SHALL NOT BE DISCLOSED          TO ANY PERSON, CORPORATION OR OTHER ENTITY, DUPLICATED, AND/OR USED, EXCEPT          AS EXPRESSLY APPROVED IN WRITING IN ADVANCE BY OWNER. THIS DOCUMENT SHALL          BE RETURNED TO OWNER UPON REQUEST. IT MAY BE SUBJECT TO CERTAIN          RESTRICTIONS UNDER APPLICABLE EXPORT CONTROL LAWS AND REGULATIONS.</small>		



DRAWN BY BLR	 <b>Regal Beloit America, Inc.</b>	
DATE 03-09-1998		
APPROVED BY GK	DESCRIPTION <b>CONN DIAGRAM-EXTERNAL</b> 12 LEAD - DUAL VOLT. - WYE START - DELTA RUN	
DATE 03-23-1998	MATERIAL	
REFERENCE	PROCESS/FINISH	
THIRD ANGLE PROJECTION 	SIZE <b>A</b>	DRAWING NUMBER <b>EE7358</b>
		SHEET 1 OF 1