

# PRODUCT INFORMATION PACKET

marathon®  
Motors

Model No: 326TSTDBD6001

Catalog No: GT0080

Globetrotter® General Purpose Motor, 60 & 50 HP, 3 Ph, 60 & 50 Hz, 230/460 & 190/380 V,  
3600 & 3000 RPM, 326TS Frame, DP



Regal and Marathon are trademarks of Regal Rexnord Corporation or one of its affiliated companies.  
©2024 Regal Rexnord Corporation, All Rights Reserved. MC017097E

RegalRexnord

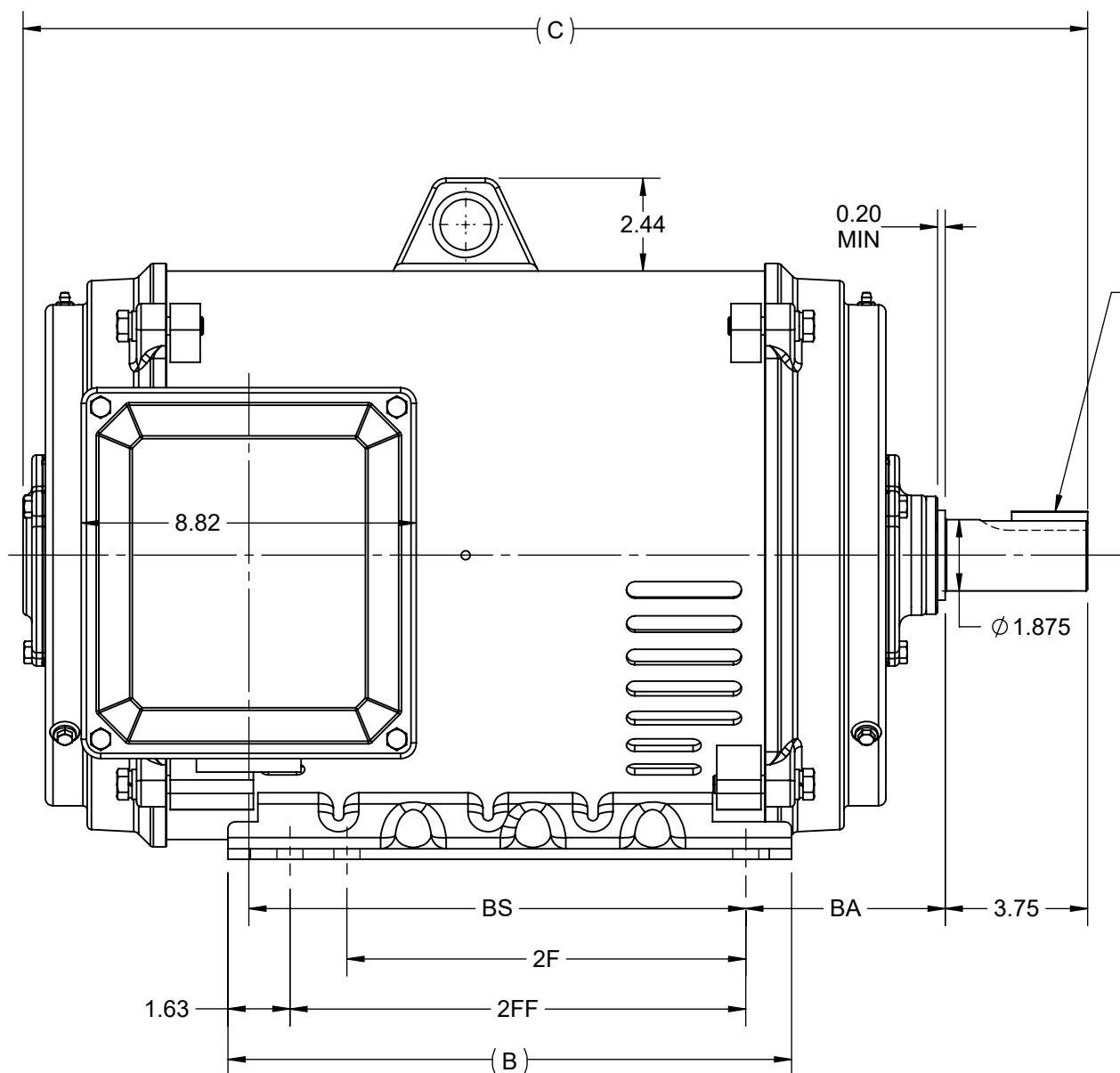
### Nameplate Specifications

Phase	3	Output HP	60 & 50 Hp
Output KW	45.0 & 37.0 kW	Voltage	230/460 & 190/380 V
Speed	3575 & 2962 rpm	Service Factor	1.15 & 1.15
Frame	326TS	Enclosure	Drip Proof
Thermal Protection	No Protection	Efficiency	93.6 & 93.3 %
Ambient Temperature	40 °C	Frequency	60 & 50 Hz
Current	136/68 & 136/68 A	Power Factor	89
Duty	Continuous	Insulation Class	F
Design Code	B	KVA Code	F
Drive End Bearing Size	6212	Opp Drive End Bearing Size	6212
UL	Recognized	CSA	Y
CE	Y	IP Code	22
Number of Speeds	1		

### Technical Specifications

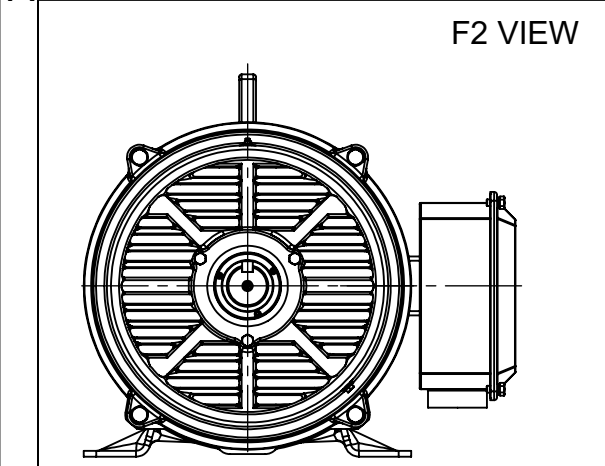
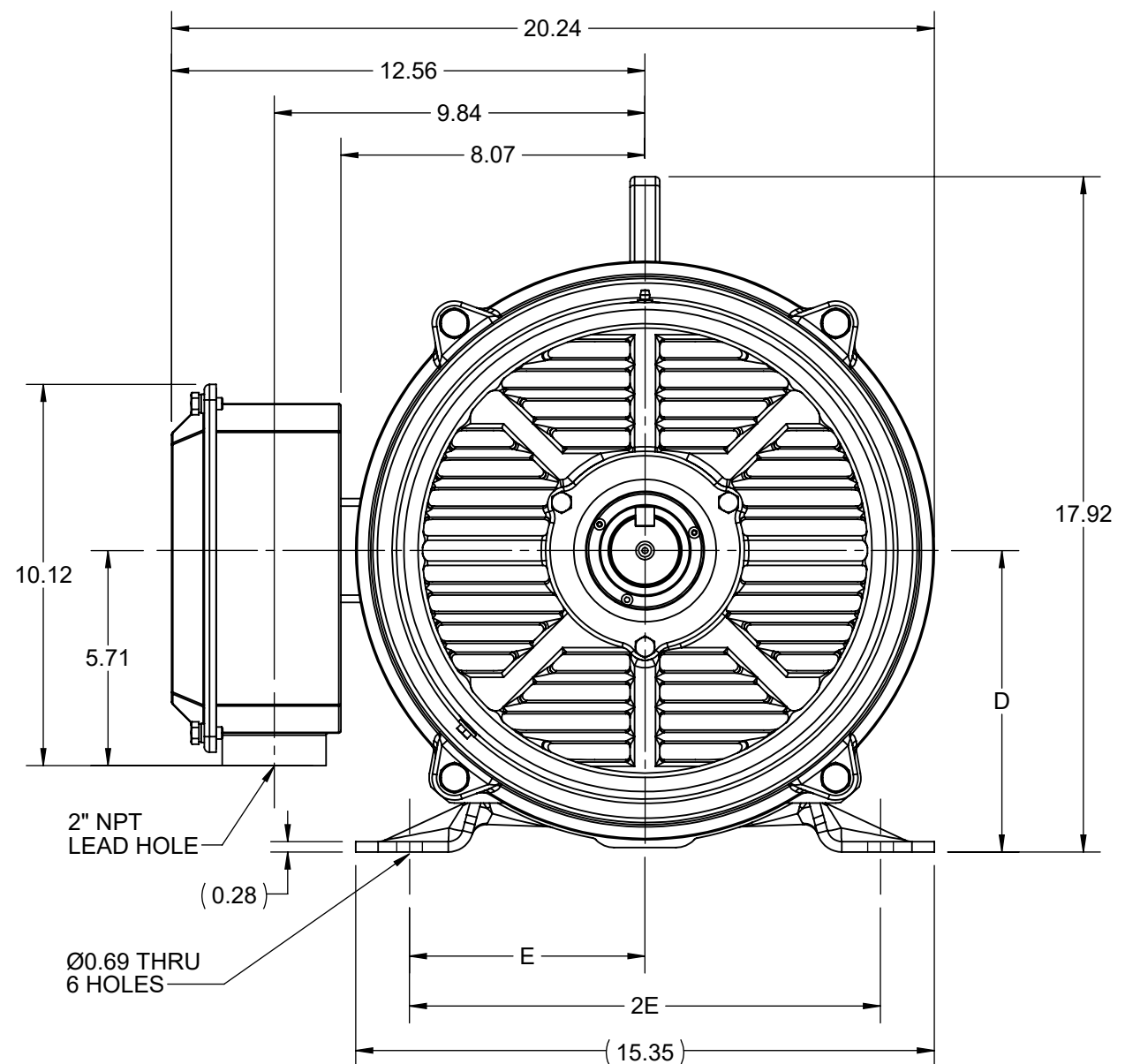
Electrical Type	Squirrel Cage Inverter Rated	Starting Method	Part Wdg Start Low Volt Only & Wye Start Delta Run Or Inverter
Poles	2	Rotation	Reversible
Resistance Main	.1349 Ohms	Mounting	Rigid Base
Motor Orientation	Horizontal	Drive End Bearing	Ball
Opp Drive End Bearing	Ball	Frame Material	Rolled Steel
Shaft Type	TS	Overall Length	28.23 in
Shaft Diameter	1.875 in	Shaft Extension	3.75 in
Assembly/Box Mounting	F1/F2 CAPABLE	Inverter Load	CONSTANT 4:1/VARIABLE 10:1
Outline Drawing	SS620744-200	Connection Drawing	EE7308AA

DASH NO.	4				3				2		1	
	B	C	D	E	2E	2F	2FF	BA	BS	MOUNTING	FRAME	
100	14.85	26.85	8.00	6.25	12.50	10.50	12.00	5.25	11.90	F1 OR F2	324TS	
200		28.03							13.08		326TS	



1/2 X 1/2 X 2.00 KEY

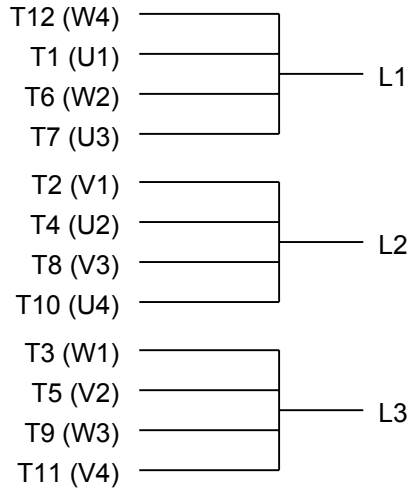
Ø 1.875



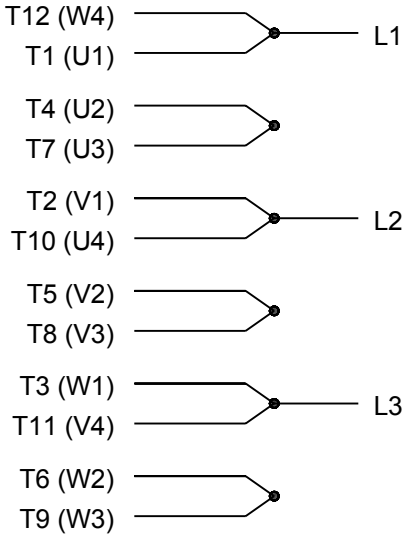
DRAWING REVISION C	REVISION BY RAM	REV DATE/© DATE 27/01/2022
REQUEST NUMBER CR-0006568	APPROVED BY SBD	DATE 27/01/2022
REQUEST NUMBER DESCRIPTION VIEWS UPDATED AS PER 3D		
<small>COPYRIGHT (PER REVISION DATE) REGAL BELOIT AMERICA, INC. ALL RIGHTS RESERVED. PROPRIETARY AND CONFIDENTIAL INFORMATION - THIS DOCUMENT IS THE PROPERTY OF REGAL BELOIT AMERICA, INC. ("OWNER") AND CONTAINS OWNER'S PROPRIETARY INFORMATION. ANY PERSON, CORPORATION OR OTHER FIRM RECEIVING IT IS DEEMED, BY RECEIVING IT, TO AGREE THAT IT, AND/OR ANY PART OF IT, SHALL NOT BE DISCLOSED TO ANY PERSON, CORPORATION OR OTHER ENTITY, DUPLICATED, AND/OR USED, EXCEPT AS EXPRESSLY APPROVED IN WRITING IN ADVANCE BY OWNER. THIS DOCUMENT SHALL BE RETURNED TO OWNER UPON REQUEST. IT MAY BE SUBJECT TO CERTAIN RESTRICTIONS UNDER APPLICABLE EXPORT CONTROL LAWS AND REGULATIONS.</small>		

PRIMARY DIMENSIONS ARE INCH  
mm DIMENSIONS IN [BRACKETS]  
ARE FOR REFERENCE ONLY

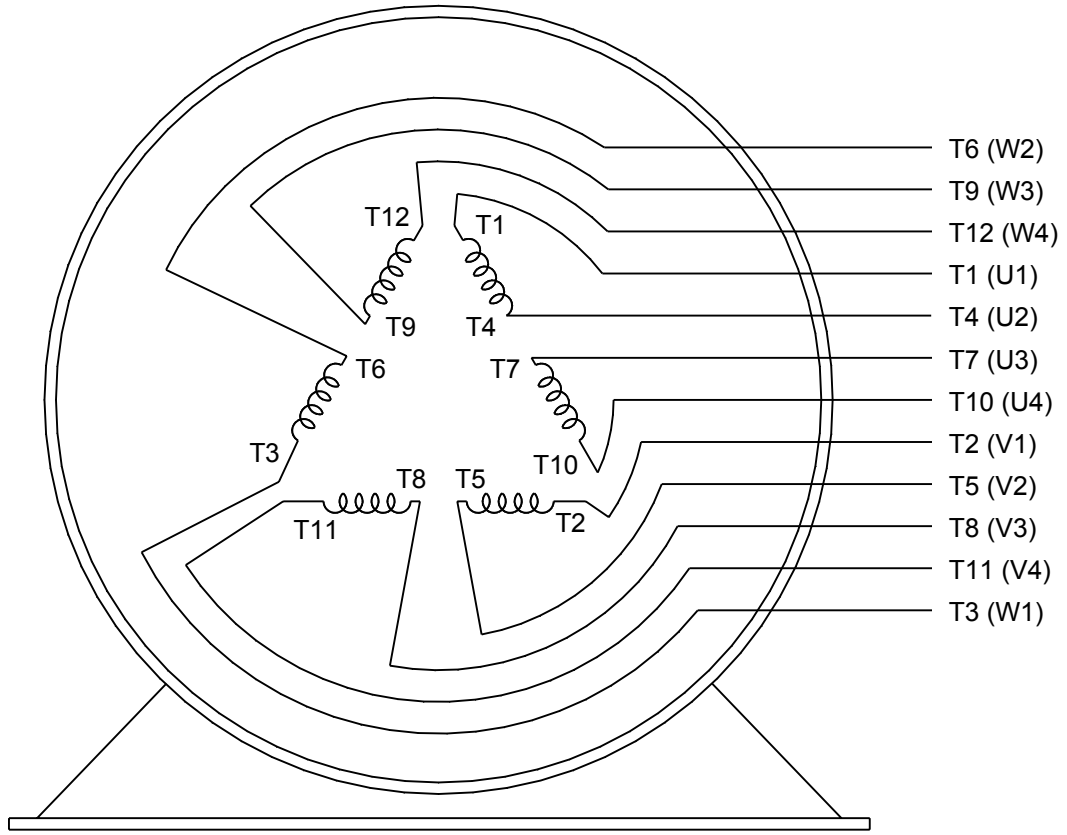
DRAWN BY XZ	<b>Regal Rexnord</b> Regal Beloit America, Inc.	
DATE 25/02/2016	DESCRIPTION <b>OUTLINE</b> 324/326TS FR NEMA ODP RS	
APPROVED BY	MATERIAL	PROCESS/FINISH
DATE	SIZE B	DRAWING NUMBER SS620744
REFERENCE	THIRD ANGLE PROJECTION	SHEET 1 OF 1



**LOW VOLTAGE**

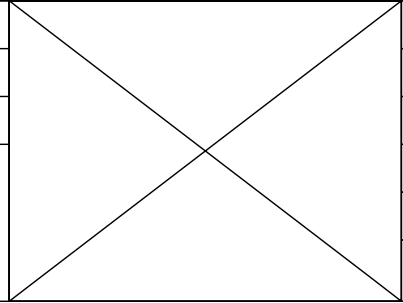


**HIGH VOLTAGE**



**VIEW OF TERMINAL END**

DRAWING REVISION <b>K</b>	REVISION BY <b>AJW</b>	DATE <b>07-17-2015</b>
ECO <b>ECO-0081632</b>	APPROVED BY <b>T. VUE</b>	DATE <b>07-17-2015</b>
ECO DESCRIPTION <b>REV'D IEC MARKINGS PER IEC 60034-8</b>		
<small>COPYRIGHT REGAL BELOIT AMERICA, INC. ALL RIGHTS RESERVED.          PROPRIETARY AND CONFIDENTIAL INFORMATION - THIS DOCUMENT IS THE PROPERTY OF          REGAL BELOIT AMERICA, INC. ("OWNER") AND CONTAINS OWNER'S PROPRIETARY          INFORMATION. ANY PERSON, CORPORATION OR OTHER FIRM RECEIVING IT IS DEEMED,          BY RECEIVING IT, TO AGREE THAT IT, AND/OR ANY PART OF IT, SHALL NOT BE DISCLOSED          TO ANY PERSON, CORPORATION OR OTHER ENTITY, DUPLICATED, AND/OR USED, EXCEPT          AS EXPRESSLY APPROVED IN WRITING IN ADVANCE BY OWNER. THIS DOCUMENT SHALL          BE RETURNED TO OWNER UPON REQUEST. IT MAY BE SUBJECT TO CERTAIN          RESTRICTIONS UNDER APPLICABLE EXPORT CONTROL LAWS AND REGULATIONS.</small>		



DRAWN BY <b>LZ</b>
DATE <b>01-12-1994</b>
APPROVED BY <b>GK</b>
DATE <b>01-14-1994</b>
REFERENCE
THIRD ANGLE PROJECTION

<b>Regal Beloit America, Inc.</b>		
<b>DESCRIPTION</b> <b>CONN DIAGRAM-EXTERNAL</b> <b>3Ø-2/1 DELTA-12 LEADS</b>		
MATERIAL	PROCESS/FINISH	
SIZE <b>A</b>	DRAWING NUMBER <b>EE7308AA</b>	SHEET <b>1 OF 1</b>

**CERTIFICATION DATA SHEET**

**Model#:** 326TSTDBD6001 AA      **WINDING#:** HE32002010 NONE 2  
**CONN. DIAGRAM:** EE7308AA      **ASSEMBLY:** F1/F2 CAPABLE  
**OUTLINE:** SS620744

**TYPICAL MOTOR PERFORMANCE DATA**

HP	KW	SYNC. RPM	F.L. RPM	FRAME	ENCLOSURE	KVA CODE	DESIGN
60&50	45&37	3600	3575&2962	326TS	DP	F	B

PH	Hz	VOLTS	FL AMPS	START TYPE	DUTY	INSL	S.F	AMB°C	ELEVATION
3	60/50	230/460#190/ 380	136/68&136/6 8	PWS & YDRUN OR INV	CONTINUOU S	F7	1.15/1.15	40	3300

FULL LOAD EFF: 93.6&93.3	3/4 LOAD EFF: 94.1	1/2 LOAD EFF: 93.6	GTD. EFF	ELEC. TYPE	NO LOAD AMPS
FULL LOAD PF: 89&89.5	3/4 LOAD PF: 87.5	1/2 LOAD PF: 81.5	93	SQ CAGE INV RATED	37 / 18.5

F.L. TORQUE	LOCKED ROTOR AMPS	L.R. TORQUE	B.D. TORQUE	F.L. RISE°C
88 LB-FT	800 / 400	150 LB-FT 70	210 LB-FT 240	30

SOUND PRESSURE @ 3 FT.	SOUND POWER	ROTOR WK^2	MAX. WK^2	SAFE STALL TIME	STARTS /HOUR	APPROX. MOTOR WGT
78 dBA	88 dBA	5.4 LB-FT^2	- LB-FT^2	25 SEC.	2	- LBS.

**\*\*\* SUPPLEMENTAL INFORMATION \*\*\***

DE BRACKET TYPE	ODE BRACKET TYPE	MOUNT TYPE	ORIENTATION	SEVERE DUTY	HAZARDOUS LOCATION	DRIP COVER	SCREENS	PAINT
STANDARD	STANDARD	RIGID	HORIZONTAL	FALSE	NONE	FALSE	NONE	BLUE (ENAMEL)

BEARINGS		GREASE	SHAFT TYPE	SPECIAL DE	SPECIAL ODE	SHAFT MATERIAL	FRAME MATERIAL
DE	OPE						
BALL	BALL	POLYREX EM	TS	NONE	NONE	1045 HOT ROLLED (C-204)	ROLLED STEEL
6312	6312						

THERMO-PROTECTORS				THERMISTORS	CONTROL	SPACE /n HEATERS
THERMOSTATS	PROTECTORS	WDG RTDs	BRG RTDs			
NONE	NOT	NONE	NONE	NONE	FALSE	NONE VOLTS

If Inverter equals NONE, contact factory for further information

\*  
N  
O  
T  
E  
S  
\*

INVERTER TORQUE: VARIABLE 10:1 INV. HP SPEED RANGE: NONE
ENCODER: NONE NONE NONE NONE NONE PPR
BRAKE: NONE NONE NONE P/N NONE NONE NONE NONE FT-LB NONE V NONE Hz

DATE: 07/03/2017 03:54:59 AM  
 FORM 3531 REV.3 02/07/99

\*\* Subject to change without notice.

Data Sheet

Date: 12/2/2021  
 Customer: \_\_\_\_\_  
 Attention: \_\_\_\_\_  
 Submitted by: \_\_\_\_\_



326TSTDBD6001

Submittal

Data @ 460 V

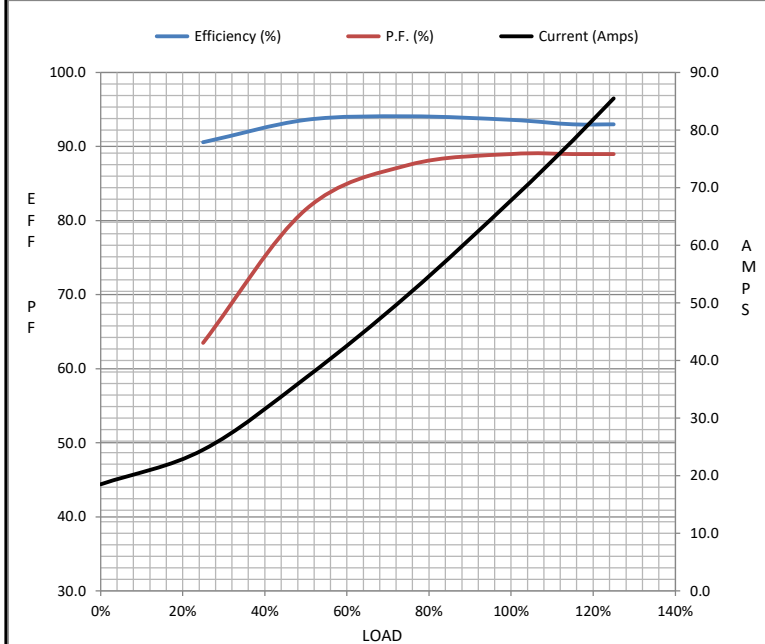
Motor Load Data

Load	0%	25%	50%	75%	100%	115%	125%	LR
Current (Amps)	18.5	24.5	37.0	51.5	67.8	78.2	85.5	400
Torque (ft-lb)	0.00	22.0	44.0	66.0	88.0	102	111	150
RPM	3600	3595	3588	3582	3575	3,570	3565	0
Efficiency (%)		90.6	93.6	94.1	93.6	93.0	93.0	
P.F. (%)	7.0	63.5	81.5	87.5	89.0	89.0	89.0	33.0

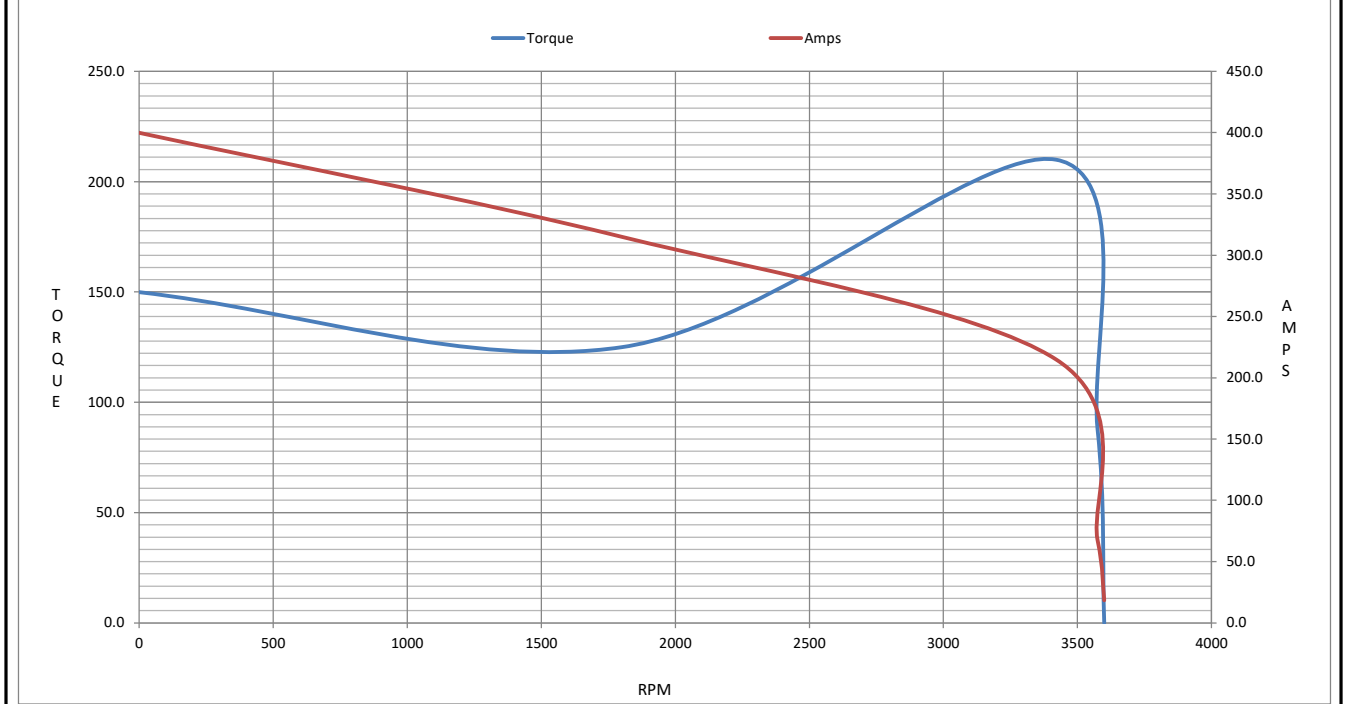
Motor Speed Data

	LR	Pull-Up	BD	Rated	Idle
Speed (RPM)	0	1800	3420	3575	3600
Current (Amps)	400	315	215	67.8	18.5
Torque (ft-lb)	150	125	210	88.0	0.00

Information Block				
HP	60.0			
Sync. RPM	3600			
Frame	326			
Enclosure	DP			
Construction	TDB			
Voltage	208-230/460#190/380 V			
Frequency	60 Hz			
Design	B			
LR Code letter	F			
Service Factor	1.15			
Temp Rise @ FL	40 ° C			
Duty	CONT			
Ambient	40 ° C			
Elevation	3,300 feet			
Rotor/Shaft wk <sup>2</sup>	5.8 Lb-F <sup>2</sup>			
Ref Wdg	HA32002010 NONE			
Sound Pressure @ 1M	78 dBA			
VFD Rating	CONSTANT 4:1/VARIABLE 20:1			
Outline Dwg	SS620744-200			
Conn. Diag	EE7308AA			
Additional Specifications:				
0				
0				
EQUIV CKT (OHMS / PHASE)				
R1	R2	X1	X2	Xm
0.0780	0.0390	0.3920	0.5010	14.5120



Speed - Torque Curve



## EC Declaration of Conformity

The undersigned representing  
the manufacturer:

Regal Beloit America  
100 East Randolph St.  
Wausau, WI 54401

and the authorized representative  
established within the Community:

Marathon Electric UK  
6F Thistleton Road Ind. Estate  
Market Overton  
Oakham, Rutland LE15 7PP UK

are committed to providing customers with products that comply with applicable regulations and international protocols to which they are subject, including the requirements of the European Parliament Directive on the Harmonization of the laws relating to electrical equipment designed for use within certain voltage limits (2014/35/EU).

Regal Beloit America declares that the following product(s), to which this declaration relates, are in conformity with the relevant sections of the EC standards listed below.

This statement supersedes any statements previously issued pertaining to the product(s) listed below and is subject to change without notice.

Model No : 326TSTDBD6001

(Model No. may contain prefix and/or suffix characters)

Catalog No : GT0080

Rework No : N/A

Directives :

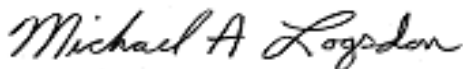
Low Voltage Directive 2014/35/EU

Harmonized Standards Used :

EN 60034-1: 2010 (IEC 60034-1: 2010)

EN 60034-5: 2001/A1:2007 (IEC 60034-5: 2000/A1:2006)

Authorized Representative:



Michael A. Logsdon  
Vice President, Technology

Authorized Representative in the Community:



Julian Clark  
Marketing Engineer

Created on 09/01/2022

**CE 22**