

PRODUCT INFORMATION PACKET

marathon®
Motors

Model No: 326THFPA8086

Catalog No: Y584

Blue Max® Inverter Duty Encoder Motor, 30 HP, 3 Ph, 60 Hz, 230/460 V, 1200 RPM, 326TC Frame,
TEBC-AXIAL



Regal and Marathon are trademarks of Regal Rexnord Corporation or one of its affiliated companies.
©2022 Regal Rexnord Corporation, All Rights Reserved. MC017097E

RegalRexnord



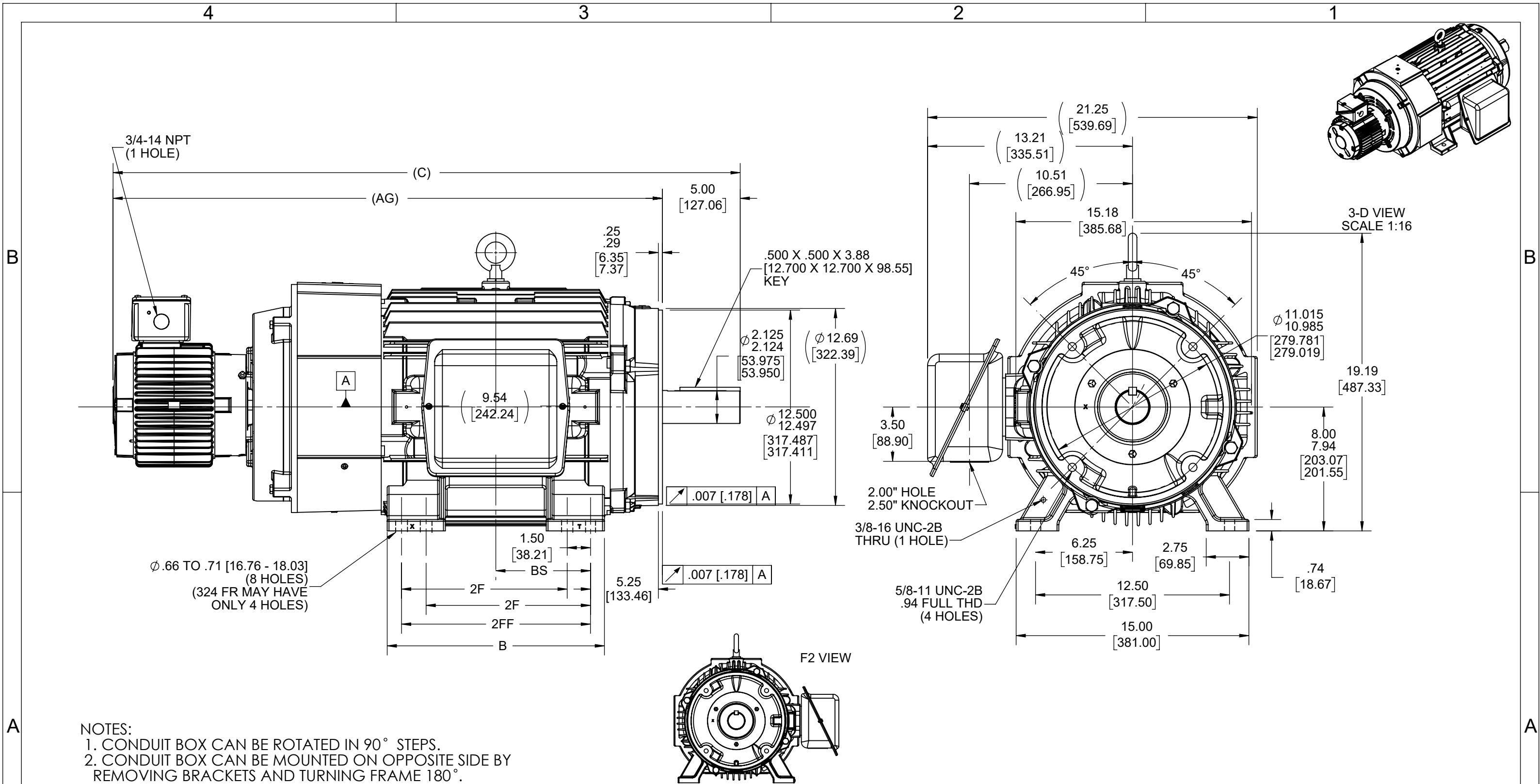
Nameplate Specifications

Output HP	30 Hp	Output KW	22.4 kW
Frequency	60 Hz	Voltage	230/460 V
Current	80.5/40.0 A	Speed	1170 rpm
Service Factor	1	Phase	3
Efficiency	89.5 %	Power Factor	78
Duty	Continuous	Insulation Class	H
Design Code	INV	KVA Code	G
Frame	326TC	Enclosure	Totally Enclosed Blower cooled - Axial
Thermal Protection	Thermostat	Ambient Temperature	40 °C
Drive End Bearing Size	6312	Opp Drive End Bearing Size	6311
UL	Recognized	CSA	Y
CE	Y	IP Code	43
Number of Speeds	1		

Technical Specifications

Electrical Type	Squirrel Cage Inverter Duty	Starting Method	Inverter Only
Poles	6	Rotation	Reversible
Resistance Main	.28 Ohms	Mounting	Rigid Base
Motor Orientation	Horizontal	Drive End Bearing	Ball
Opp Drive End Bearing	Ball	Frame Material	Cast Iron
Shaft Type	T	Overall Length	42.04 in
Frame Length	16.25 in	Shaft Diameter	2.125 in
Shaft Extension	5 in	Assembly/Box Mounting	F1/F2 CAPABLE
Inverter Load	CONSTANT 2000:1		
Connection Drawing	A-EE7308T	Outline Drawing	B-SS311268-1625

This is an uncontrolled document once printed or downloaded and is subject to change without notice. Date Created:11/28/2022



- NOTES:
1. CONDUIT BOX CAN BE ROTATED IN 90° STEPS.
 2. CONDUIT BOX CAN BE MOUNTED ON OPPOSITE SIDE BY REMOVING BRACKETS AND TURNING FRAME 180°.
 3. NAMEPLATE TO BE READ FROM CONDUIT BOX SIDE OF MOTOR.

DASH	FRAME	B	C	2F	2FF	BS	AG
1475	324T	14.00 [355.60]	40.54 [1029.72]	-	10.50 [266.70]	5.25 [133.35]	35.54 [902.72]
1625	326T	14.00 [355.60]	42.04 [1067.82]	10.50 [266.70]	12.00 [304.80]	6.00 [152.40]	37.04 [940.82]

DRAWING REVISION E	REVISION BY JVD	DATE 02-16-2021
ECO CR-0001165	APPROVED BY AK	DATE 02-16-2021
ECO DESCRIPTION UPDATED DRAWING TO CURRENT STD		
<small>COPYRIGHT REGAL BELOIT AMERICA, INC. ALL RIGHTS RESERVED. PROPRIETARY AND CONFIDENTIAL INFORMATION - THIS DOCUMENT IS THE PROPERTY OF REGAL BELOIT AMERICA, INC. ("OWNER") AND CONTAINS OWNER'S PROPRIETARY INFORMATION. ANY PERSON, CORPORATION OR OTHER FIRM RECEIVING IT IS DEEMED, BY RECEIVING IT, TO AGREE THAT IT, AND/OR ANY PART OF IT, SHALL NOT BE DISCLOSED TO ANY PERSON, CORPORATION OR OTHER ENTITY, DUPLICATED, AND/OR USED, EXCEPT AS EXPRESSLY APPROVED IN WRITING IN ADVANCE BY OWNER. THIS DOCUMENT SHALL BE RETURNED TO OWNER UPON REQUEST. IT MAY BE SUBJECT TO CERTAIN RESTRICTIONS UNDER APPLICABLE EXPORT CONTROL LAWS AND REGULATIONS.</small>		

TOLERANCES UNLESS OTHERWISE SPECIFIED:

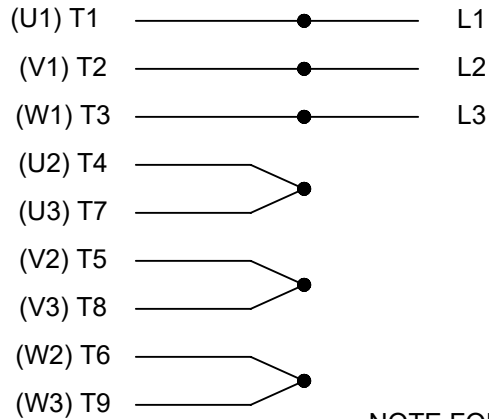
DEC.	INCH	mm	ANGLE
.X	±0.1	[±2.5]	±7° 30"
.XX	±0.03	[±0.76]	
.XXX	±0.005	[±0.127]	
.XXXX	±0.0005	[±0.0127]	

REMOVE BURRS & BREAK SHARP EDGES: .003/.015 [0.076/.381]
 CORNER FILLETS: .02 [0.51]
 MACHINED SURFACES: 200 INCH 5.1/mm
 mm SHOWN IN [BRACKETS]

DRAWN BY MSG
DATE 01-10-2002
APPROVED BY TLB
DATE 01-14-2002
REFERENCE
THIRD ANGLE PROJECTION

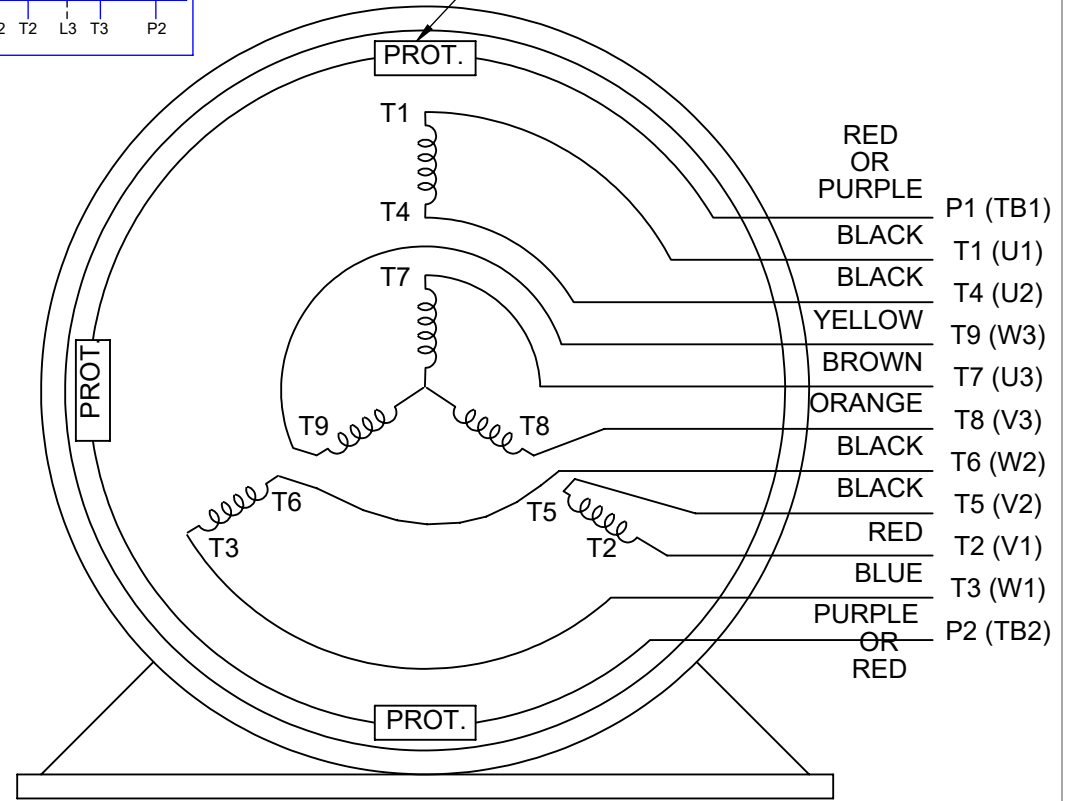
REGAL ™ Regal Beloit America, Inc.	
DESCRIPTION OUTLINE 320 FR. - BB - STD - 12.50 LAM - C'FACE	
MATERIAL	PROCESS/FINISH
SIZE B	DRAWING NUMBER SS311268
SHEET 1 OF 1	

HIGH VOLTAGE



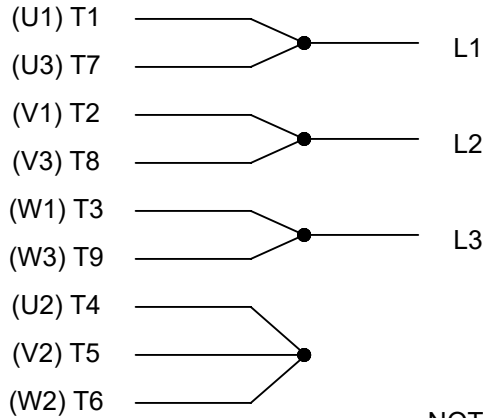
**THREE PHASE
DUAL VOLTAGE MOTOR**

THERMO-PROTECTORS
CONNECTED IN SERIES



NOTE FOR FACTORY USE ONLY:
TO SURGE TEST FOR COMMON CONNECT:
HIGH VOLT: CONNECT P1 TO T1
THEN P2 TO L1
LOW VOLT: CONNECT P1 TO T1 & T7,
THEN P2 TO L1

LOW VOLTAGE



VIEW OF TERMINAL END

NOTE: LEAD'S COLOR CAN BE YELLOW OR WHITE FOR MT2 PLANT

DRAWING REVISION T	REVISION BY ZR	DATE 01-14-2019		DRAWN BY SMC	Regal Beloit America, Inc.
ECO ECO-0159915	APPROVED BY DR	DATE 01-15-2019		DATE 05-13-1992	
ECO DESCRIPTION ADDED TERMINAL CONNECTION DIAGRAM				APPROVED BY TB	DESCRIPTION CONN DIAGRAM-INTERNAL 3 PHASE - DUAL VOLTAGE MOTOR
<small>COPYRIGHT REGAL BELOIT AMERICA, INC. ALL RIGHTS RESERVED. PROPRIETARY AND CONFIDENTIAL INFORMATION - THIS DOCUMENT IS THE PROPERTY OF REGAL BELOIT AMERICA, INC. ("OWNER") AND CONTAINS OWNER'S PROPRIETARY INFORMATION. ANY PERSON, CORPORATION OR OTHER FIRM RECEIVING IT IS DEEMED, BY RECEIVING IT, TO AGREE THAT IT, AND/OR ANY PART OF IT, SHALL NOT BE DISCLOSED TO ANY PERSON, CORPORATION OR OTHER ENTITY, DUPLICATED, AND/OR USED, EXCEPT AS EXPRESSLY APPROVED IN WRITING IN ADVANCE BY OWNER. THIS DOCUMENT SHALL BE RETURNED TO OWNER UPON REQUEST. IT MAY BE SUBJECT TO CERTAIN RESTRICTIONS UNDER APPLICABLE EXPORT CONTROL LAWS AND REGULATIONS.</small>				DATE 05-13-1992	MATERIAL
			REFERENCE EE7308/EE7300	SIZE A	DRAWING NUMBER EE7308T

CERTIFICATION DATA SHEET

Model#: 326THFPA8086 BB **WINDING#:** 286655 R6 6
CONN. DIAGRAM: A-EE7308T **ASSEMBLY:** F1/F2 CAPABLE
OUTLINE: B-SS311268-1625

TYPICAL MOTOR PERFORMANCE DATA

HP	KW	SYNC. RPM	F.L. RPM	FRAME	ENCLOSURE	KVA CODE	DESIGN
30	22.4	1200	1170	326TC	TEBC-AXIAL	G	INV

PH	Hz	VOLTS	FL AMPS	START TYPE	DUTY	INSL	S.F	AMB°C	ELEVATION
3	60	230/460	80.5/40	INVERTER ONLY	CONTINUOUS	H4	1.0	40	3300

FULL LOAD EFF: 89.5	3/4 LOAD EFF: 90.2	1/2 LOAD EFF: 90.2	GTD. EFF	ELEC. TYPE	NO LOAD AMPS
FULL LOAD PF: 78	3/4 LOAD PF: 73	1/2 LOAD PF: 63	87.5	SQ CAGE INV DUTY	37 / 18.5

F.L. TORQUE	LOCKED ROTOR AMPS	L.R. TORQUE	B.D. TORQUE	F.L. RISE°C
135 LB-FT	420 / 210	215 LB-FT 159	320 LB-FT 237	75

SOUND PRESSURE @ 3 FT.	SOUND POWER	ROTOR WK^2	MAX. WK^2	SAFE STALL TIME	STARTS / HOUR	APPROX. MOTOR WGT
75 dBA	85 dBA	5 LB-FT^2	- LB-FT^2	- SEC.	-	625 LBS.

EQUIVALENT WYE CKT.PARAMETERS (OHMS PER PHASE)

R1	R2	X1	X2	XM
0.20339	0.20812	1.01222	0.942216	14.7576

RM	ZREF	XR	TD	TD0
779.504	9.46	5.2	0.0185	0.2

***** SUPPLEMENTAL INFORMATION *****

DE BRACKET TYPE	ODE BRACKET TYPE	MOUNT TYPE	ORIENTATION	SEVERE DUTY	HAZARDOUS LOCATION	DRIP COVER	SCREENS	PAINT
C-FACE	ENCODER	RIGID	HORIZONTAL	FALSE	NONE	FALSE	NONE	BLUE (ENAMEL)

BEARINGS		GREASE	SHAFT TYPE	SPECIAL DE	SPECIAL ODE	SHAFT MATERIAL	FRAME MATERIAL
DE	OPE						
BALL	BALL	POLYREX EM	T	NONE	NONE	1045 HOT ROLLED (C-204)	CAST IRON
6312	6311						

THERMO-PROTECTORS				THERMISTORS	CONTROL	SPACE /n HEATERS
THERMOSTATS	PROTECTORS	WDG RTDs	BRG RTDs			
TSTATS (N/C)	NOT	NONE	NONE	NONE	FALSE	NONE VOLTS

If Inverter equals NONE, contact factory for further information

INVERTER TORQUE: CONSTANT 2000:1 INV. HP SPEED RANGE: 1.5 X BASE SPEED
ENCODER: PROVISIONS ONLY NONE NONE NONE NONE PPR
BRAKE: NONE NONE NONE P/N NONE

*
N
O
T
E
S
*

NONE	NONE	
- FT-LB	NONE V	NONE Hz

DATE: 06/21/2017 05:51:21 AM
FORM 3531 REV.3 02/07/99
** Subject to change without notice.

Data Sheet

Date: 20-06-2017
 Customer: _____
 Attention: _____
 Submitted by: FAREEDA DUDEKULA



326THFA8086

Submittal

Data @ 460 V

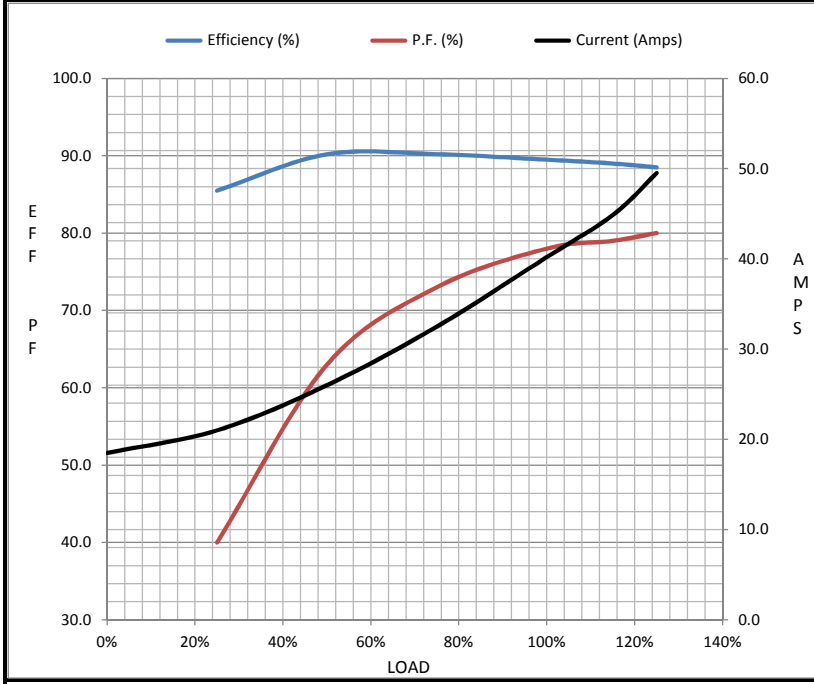
Motor Load Data

Load	0%	25%	50%	75%	100%	115%	125%	LR
Current (Amps)	18.5	21.0	26.0	32.5	40.2	44.9	49.5	210
Torque (ft-lb)	0.00	33.0	66.0	100	135	153	170	215
RPM	1200	1192	1186	1178	1170	1,166	1160	0
Efficiency (%)		85.5	90.2	90.2	89.5	89.0	88.5	
P.F. (%)	6.0	40.0	63.0	73.0	78.0	79.0	80.0	37.0

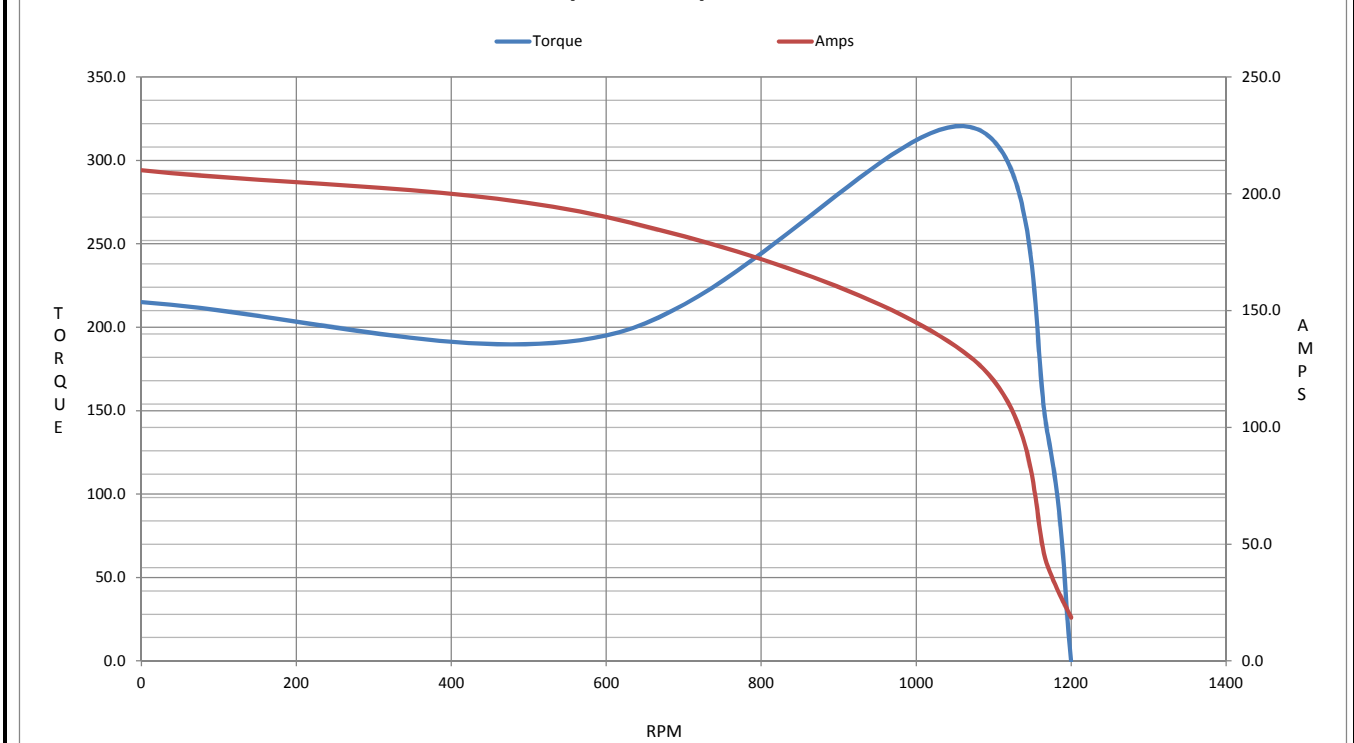
Motor Speed Data

	LR	Pull-Up	BD	Rated	Idle
Speed (RPM)	0	600	1070	1170	1200
Current (Amps)	210	190	130	40.2	18.5
Torque (ft-lb)	215	195	320	135	0.00

Information Block				
HP	30.0			
Sync. RPM	1200			
Frame	326			
Enclosure	TEBC			
Construction	TBP			
Voltage	230/460 V			
Frequency	60 Hz			
Design	B			
LR Code letter	G			
Service Factor	1.15			
Temp Rise @ FL	75 ° C			
Duty	CONT			
Ambient	40 ° C			
Elevation	1,000 feet			
Rotor/Shaft wk ²	5.0 Lb-Ft ²			
Ref Wdg	286655 R6			
Sound Pressure @ 1M	75 dBA			
VFD Rating	CONSTANT 2000:1			
Outline Dwg	B-SS311268-1625			
Conn. Diag	A-EE7308T			
Additional Specifications:				
0				
365THFS8036				
EQUIV CKT (OHMS / PHASE)				
R1	R2	X1	X2	Xm
0.2030	0.2080	1.0120	0.9420	14.7580



Speed - Torque Curve



EC Declaration of Conformity

The undersigned representing
the manufacturer:

Regal Beloit America
100 East Randolph St.
Wausau, WI 54401

and the authorized representative
established within the Community:

Marathon Electric UK
6F Thistleton Road Ind. Estate
Market Overton
Oakham, Rutland LE15 7PP UK

are committed to providing customers with products that comply with applicable regulations and international protocols to which they are subject, including the requirements of the European Parliament Directive on the Harmonization of the laws relating to electrical equipment designed for use within certain voltage limits (2014/35/EU).

Regal Beloit America declares that the following product(s), to which this declaration relates, are in conformity with the relevant sections of the EC standards listed below.

This statement supersedes any statements previously issued pertaining to the product(s) listed below and is subject to change without notice.

Model No : 326THFPA8086

(Model No. may contain prefix and/or suffix characters)

Catalog No : Y584

Rework No : N/A

Directives :

Low Voltage Directive 2014/35/EU

Harmonized Standards Used :

EN 60034-1: 2010 (IEC 60034-1: 2010)

EN 60034-5: 2001/A1:2007 (IEC 60034-5: 2000/A1:2006)

Authorized Representative:



Michael A. Logsdon
Vice President, Technology

Authorized Representative in the Community:



Julian Clark
Marketing Engineer

Created on 09/01/2022

CE 22