

PRODUCT INFORMATION PACKET

Model No: 324VTDC6026

Catalog No: V006A

Vertical Pump Motor, 40 & 30 HP, 3 Ph, 60 & 50 Hz, 230/460 & 190/380 V, 1800 & 1500 RPM,
324TPV Frame, WPI



Regal and Marathon are trademarks of Regal Rexnord Corporation or one of its affiliated companies.

©2023 Regal Rexnord Corporation, All Rights Reserved. MC017097E

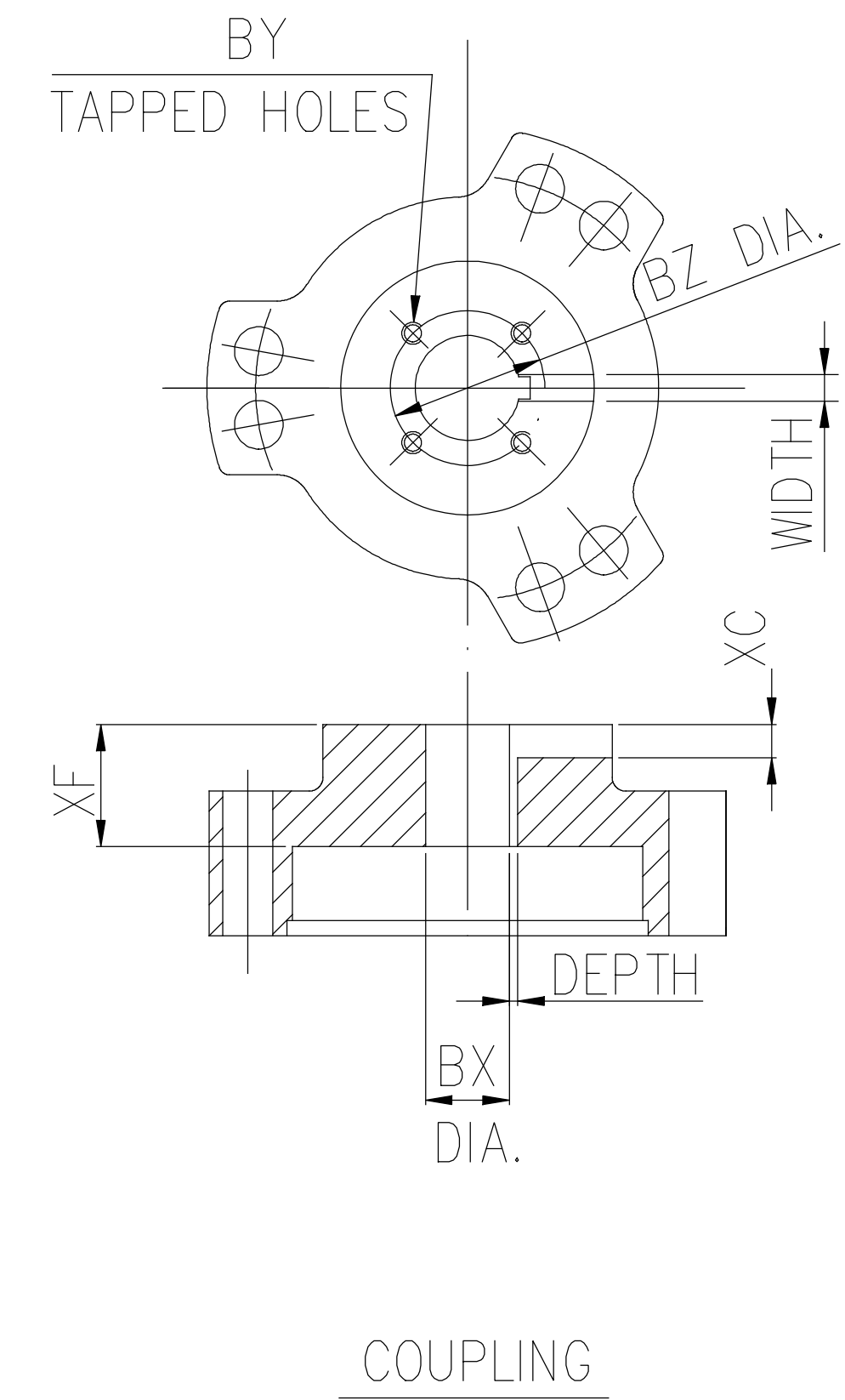
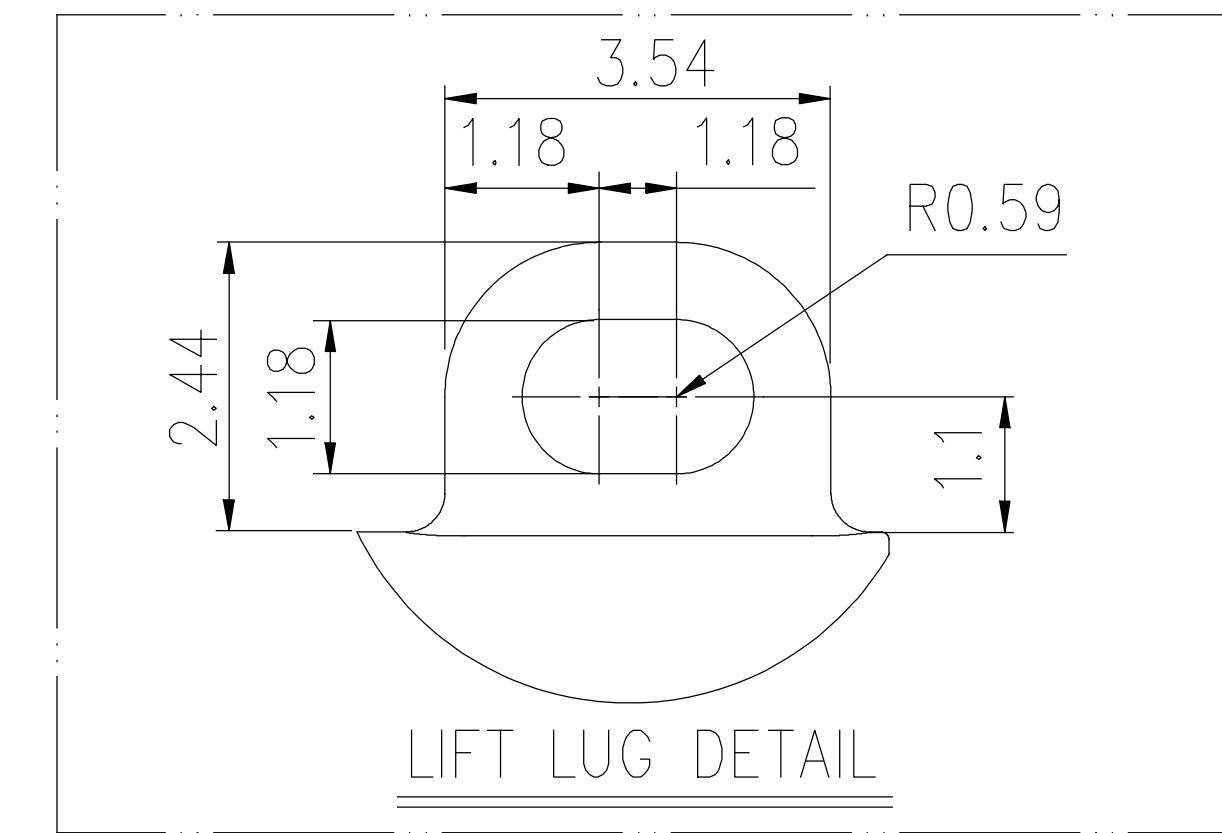
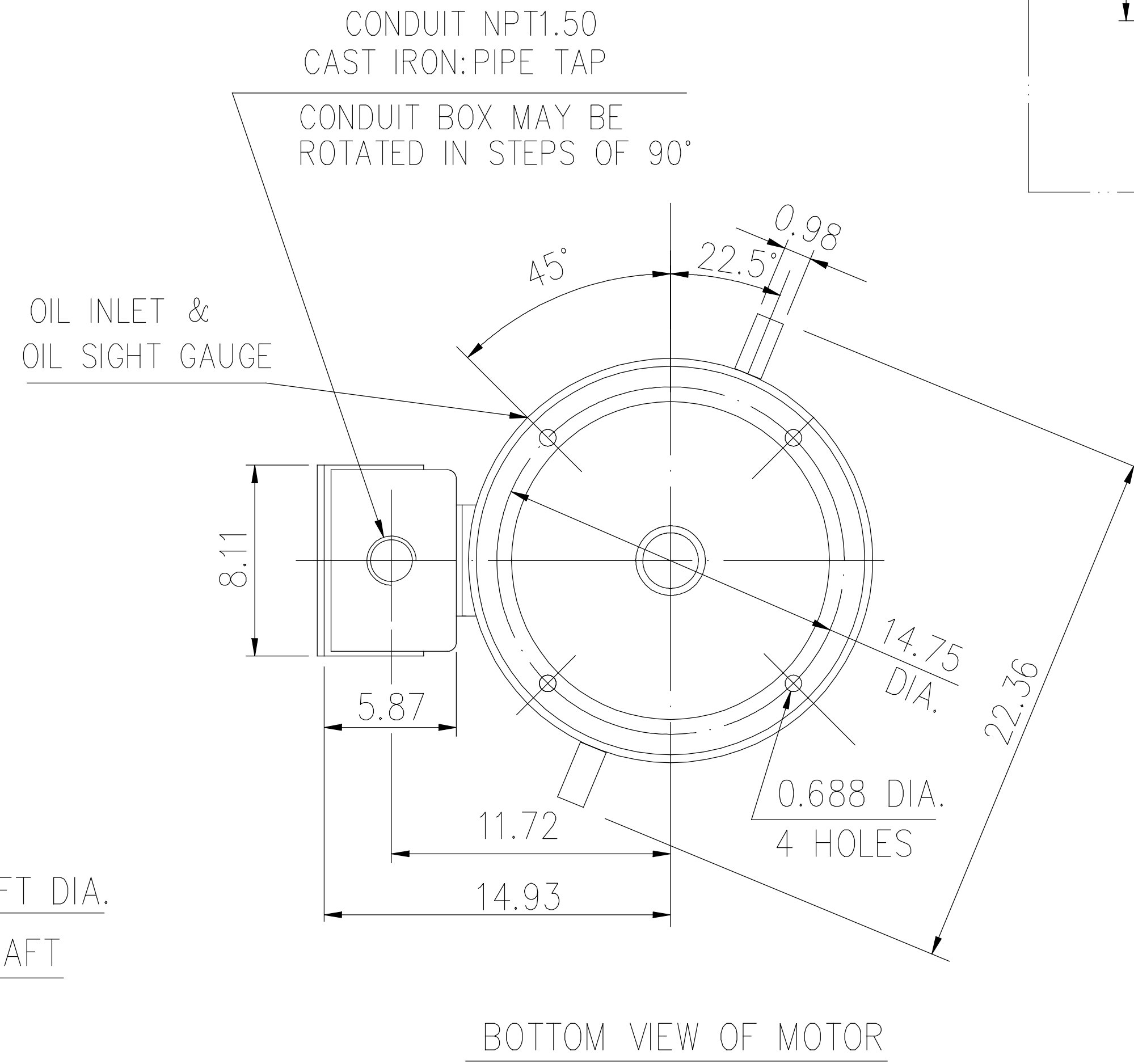
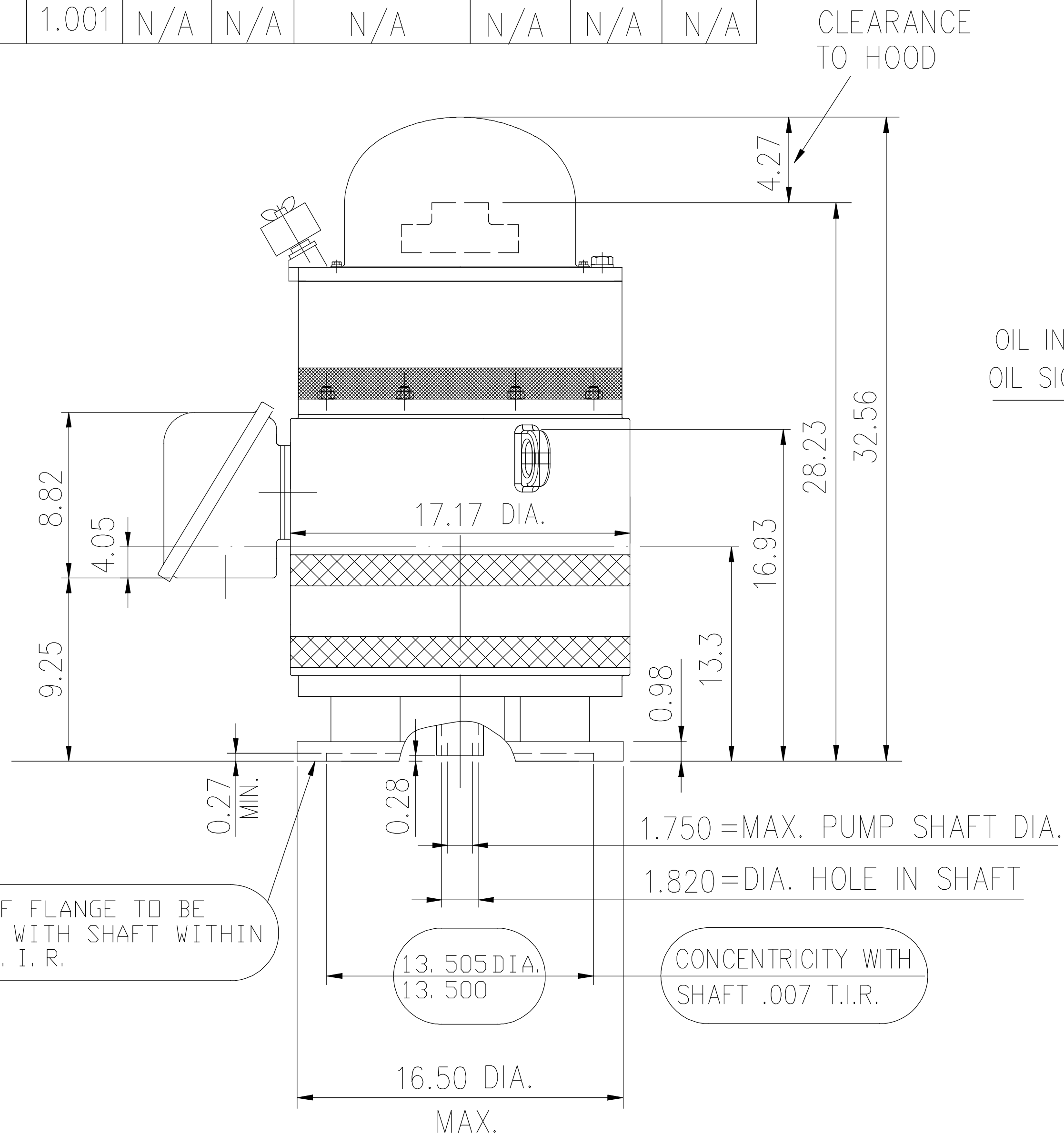
Nameplate Specifications

| | | | |
|------------------------|------------------------------|----------------------------|--------------------------------|
| Phase | 3 | Output HP | 40 & 30 Hp |
| Output KW | 30.0 & 22.4 kW | Voltage | 230/460 & 190/380 V |
| Speed | 1775 & 1475 rpm | Service Factor | 1.15 & 1.15 |
| Frame | 324TPV | Enclosure | Weather Protected 1 |
| Thermal Protection | No Protection | Efficiency | 94.8 & 93.6 % |
| Ambient Temperature | 40 °C | Frequency | 60 & 50 Hz |
| Current | 96.5/48 & 90/45 A | Power Factor | 82 |
| Duty | Continuous | Insulation Class | F |
| Design Code | B | KVA Code | G |
| Drive End Bearing Size | 6312 | Opp Drive End Bearing Size | 7219B |
| UL | Recognized | CSA | Y |
| CE | Y | IP Code | 23 |
| Number of Speeds | 1 | | |

Technical Specifications

| | | | |
|--------------------|-------------------------------------|-----------------------|---|
| Electrical Type | Squirrel Cage Inverter Rated | Starting Method | Part Wdg Start Low Volt Only & Wye Start Delta Run Or Inverter |
| Poles | 4 | Rotation | Counterclockwise Rotation, Reversible without Non-Reversible Ratchet |
| Mounting | Round | Motor Orientation | Shaft Down |
| Drive End Bearing | Ball | Opp Drive End Bearing | Single Angular Contact |
| Frame Material | Cast Iron | Shaft Type | TP |
| Overall Length | 32.56 in | Shaft Diameter | 1.833 in |
| Shaft Extension | 0.28 in | Assembly/Box Mounting | F1/F2 CAPABLE |
| Inverter Load | VARIABLE 3:1 | | |
| Connection Drawing | EE7308DX | Outline Drawing | SS620839 |

| COUPLING | BX DIA. | KEYWAY | | BY | BZ | XF | XC |
|----------|---------|--------|-------|-----------|-------|-------|-------|
| | | WIDE | DEEP | | | | |
| | 1.001 | 0.250 | 0.140 | 10-32UNF | 1.375 | 1.610 | 0.320 |
| | 1.188 | 0.250 | 0.140 | 1/4-20UNC | 1.750 | 1.610 | 0.320 |
| | 1.251 | 0.250 | 0.140 | 1/4-20UNC | 1.750 | 1.610 | 0.320 |
| | 1.251 | 0.375 | 0.164 | 1/4-20UNC | 1.750 | 1.610 | 0.320 |
| | 1.438 | 0.375 | 0.167 | 1/4-20UNC | 2.120 | 1.610 | 0.320 |
| | 1.501 | 0.375 | 0.168 | 1/4-20UNC | 2.120 | 1.610 | 0.320 |
| | 1.001 | N/A | N/A | N/A | N/A | N/A | N/A |



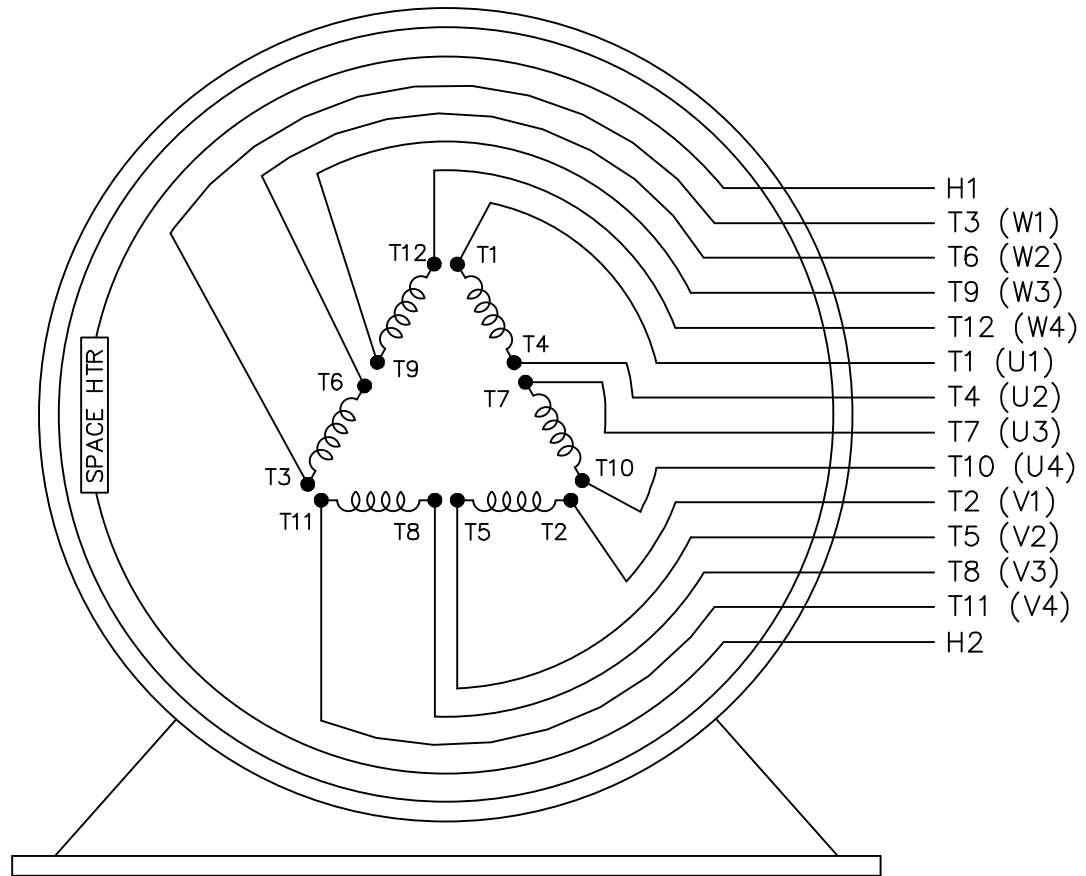
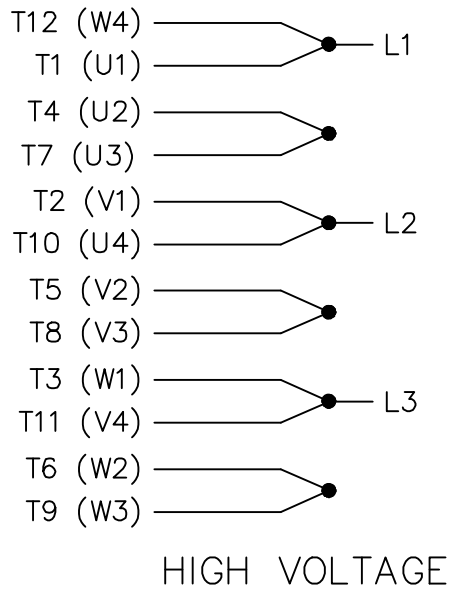
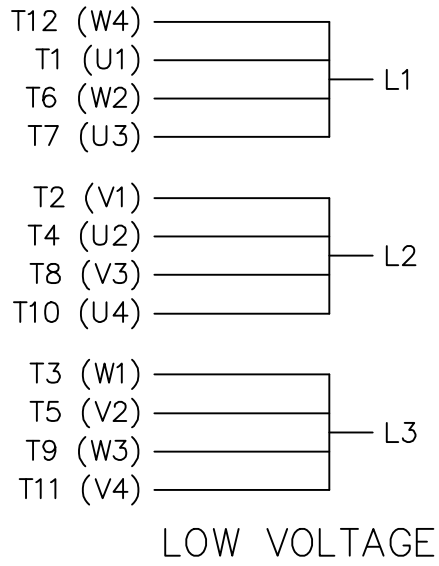
FACE OF FLANGE TO BE SQUARE WITH SHAFT WITHIN .007 T. I. R.

CONCENTRICITY WITH SHAFT .007 T.I.R.

- (1) DIMENSIONS ARE IN INCHES.
- (2) DRIVE END BEARING 6312
OPPOSITE DRIVE END BEARING 7219B
- (3) APPROXIMATE WEIGHT = 785 LBS

(4) END OF LINE TESTS - SPECIFIC TO EACH RATING
 *NO LOAD AMPS @ FULL VOLTAGE
 *NO LOAD WATTS @ FULL VOLTAGE
 *VIBRATION MEETS MG-1 STANDARD
 BALANCE 0.15 IN/S 3.8 MM/S

| | | | | TOLERANCES UNLESS SPECIFIED | | REGAL REGAL-BELOIT CORPORATION | DRAWN |
|--|-------------------------|-------------|---------------|-----------------------------|--------|--------------------------------|-------------|
| | | | | DEC. | INCHES | | |
| | | | | .X | ±.1 | | APPD |
| | | | | .XX | ±.03 | TITLE | SCALE |
| B | UPDATED PER MARK-UPS | ECO-0151417 | WGJ 9-11-2018 | AL | ±.005 | OUTLINE | REF |
| A | RELEASED FOR PRODUCTION | ECO-0125213 | WGJ 6-13-2017 | AL | ±.0005 | 324/326TP16 FRAME | FMF |
| NO. | REVISION | BY & DATE | CHK | ANG | ±7'30" | MAT'L. | PREV |
| THIS DRAWING IN DESIGN AND DETAIL IS OUR PROPERTY AND MUST NOT BE USED EXCEPT IN CONNECTION WITH OUR WORK ALL RIGHTS OF DESIGN AND INVENTION ARE RESERVED THIS IS AN ELECTRONICALLY GENERATED DOCUMENT - DO NOT SCALE THIS PRINT | | | | RFP | | FINISH | |
| | | | | DIST | | CAD FILE | |
| | | | | | | SIZE | DRAWING NO. |
| | | | | | | B | SS620839 |
| | | | | | | | REV. B |



VIEW OF TERMINAL END

| | | | | TOLERANCES UNLESS SPECIFIED | | MARATHON ELECTRIC | DRAWN KL 02-05-1999 | | | |
|--|--------------------|-----------|----------------|-----------------------------|------------|--|---------------------|----------------------|-----------|--------|
| | | | | DEC. | INCHES | | CHK DJK 02-05-1999 | | | |
| | | | | .X | ± - | TITLE CONNECTION DIAGRAM 12 LEADS - 3 PHASE - 2/1 DELTA | APPD DJK 02-05-1999 | SCALE 1=1 | | |
| 2 | ADDED IEC MARKINGS | MU110339 | MSG 10-15-2012 | .XXX | ± - | | REF | | | |
| 1 | NEW DRAWING | MU23624 | KL 02-05-1999 | DJK .XXXX | ± - | MAT'L. | FMF MU23624 | | | |
| NO. | REVISION | BY & DATE | CHK | ANG | ± - | FINISH | PREV | | | |
| THIS DRAWING IN DESIGN AND DETAIL IS OUR PROPERTY AND MUST NOT BE USED EXCEPT IN CONNECTION WITH OUR WORK ALL RIGHTS OF DESIGN AND INVENTION ARE RESERVED THIS IS AN ELECTRONICALLY GENERATED DOCUMENT - DO NOT SCALE THIS PRINT | | | | RFP | 02-05-1999 | CAD FILE EE7308DX | SIZE A | DRAWING NO. EE7308DX | PAGE OF 2 | REV. 2 |
| | | | | DIST | | | | | | |



**P.O. BOX 8003
WAUSAU, WI 54401-8003
PH. 715-675-3311**

CERTIFICATION DATA SHEET

CUSTOMER:
ORDER #:
CONN. DIAGRAM: EE7308DX
OUTLINE: SS620839
WINDING #: TPE3244001 1

CUSTOMER PO#:
MODEL #: 324VTDC6026 AA
CUSTOMER PART #:
MOUNTING: F1/F2 CAPABLE

TYPICAL MOTOR PERFORMANCE DATA

| HP | KW | SYNC. RPM | F.L. RPM | FRAME | ENCLOSURE | KVA CODE | DESIGN |
|-------|-----------|-----------|-----------|--------|-----------|----------|--------|
| 40&30 | 30.0&22.4 | 1800 | 1775&1475 | 324TPV | WPI | G | B |

| PH | Hz | VOLTS | AMPS | START TYPE | DUTY | INSL | S.F. | AMB°C |
|----|-------|-----------------|---------------|------------------------------|------------|------|-----------|-------|
| 3 | 60/50 | 230/460&190/380 | 96.5/48&90/45 | PWS (LV ONLY) & YDRUN OR INV | CONTINUOUS | F | 1.15/1.15 | 40 |

| FULL LOAD EFF: | 94.8&93.6 | 3/4 LOAD EFF: | 94.8 | 1/2 LOAD EFF: | 94.3 | GTD. EFF | | ELEC. TYPE | |
|----------------|-----------|---------------|------|---------------|------|----------|--|-------------------|--|
| FULL LOAD PF: | 82&81 | 3/4 LOAD PF: | 77.5 | 1/2 LOAD PF: | 68 | 93.6 | | SQ CAGE INV RATED | |

| F.L. TORQUE | LOCKED ROTOR AMPS | L.R. TORQUE | B.D. TORQUE | F.L. RISE°C |
|-------------|-------------------|-----------------|-----------------|-------------|
| 118.5 LB-FT | 624 / 312 | 189 LB-FT 161 % | 289 LB-FT 245 % | 70 |

| SOUND PRESSURE @ 3 FT. | SOUND POWER | ROTOR WK^2 | MAX. WK^2 | SAFE STALL TIME | STARTS / HOUR | APPROX. MOTOR WGT |
|------------------------|-------------|-------------|-------------|-----------------|---------------|-------------------|
| 69 dBA | 79 dBA | 7.6 LB-FT^2 | 505 LB-FT^2 | 12 SEC. | 2 | 770 LBS. |

***** SUPPLEMENTAL INFORMATION *****

| DE BRACKET TYPE | ODE BRACKET TYPE | MOUNT TYPE | ORIENTATION | SEVERE DUTY | HAZARDOUS LOCATION | DRIP COVER | SCREENS | PAINT |
|-----------------|------------------|------------|-------------|-------------|--------------------|------------|---------|---------------|
| P-BASE-16 | STANDARD | ROUND | SHAFT DOWN | FALSE | NONE | TRUE | RODENT | BLUE (ENAMEL) |

| BEARINGS | | GREASE | SHAFT TYPE | SPECIAL DE | SPECIAL ODE | SHAFT MATERIAL | FRAME MATERIAL |
|----------|------------------------|-----------------|------------|------------|-------------|-------------------------|----------------|
| DE | ODE | | | | | | |
| BALL | SINGLE ANGULAR CONTACT | POLYREX/ISOVG32 | TP | NONE | NONE | 1045 HOT ROLLED (C-204) | CAST IRON |
| 6312 | 7219B | | | | | | |

| THERMO-PROTECTORS | | | | THERMISTORS | CONTROL | SPACE HEATERS |
|-------------------|------------|----------|----------|-------------|---------|---------------|
| THERMOSTATS | PROTECTORS | WDG RTDs | BRG RTDs | | | |
| NONE | NOT | NONE | NONE | NONE | FALSE | 110 VOLTS |

*
N
O
T
E
S
*

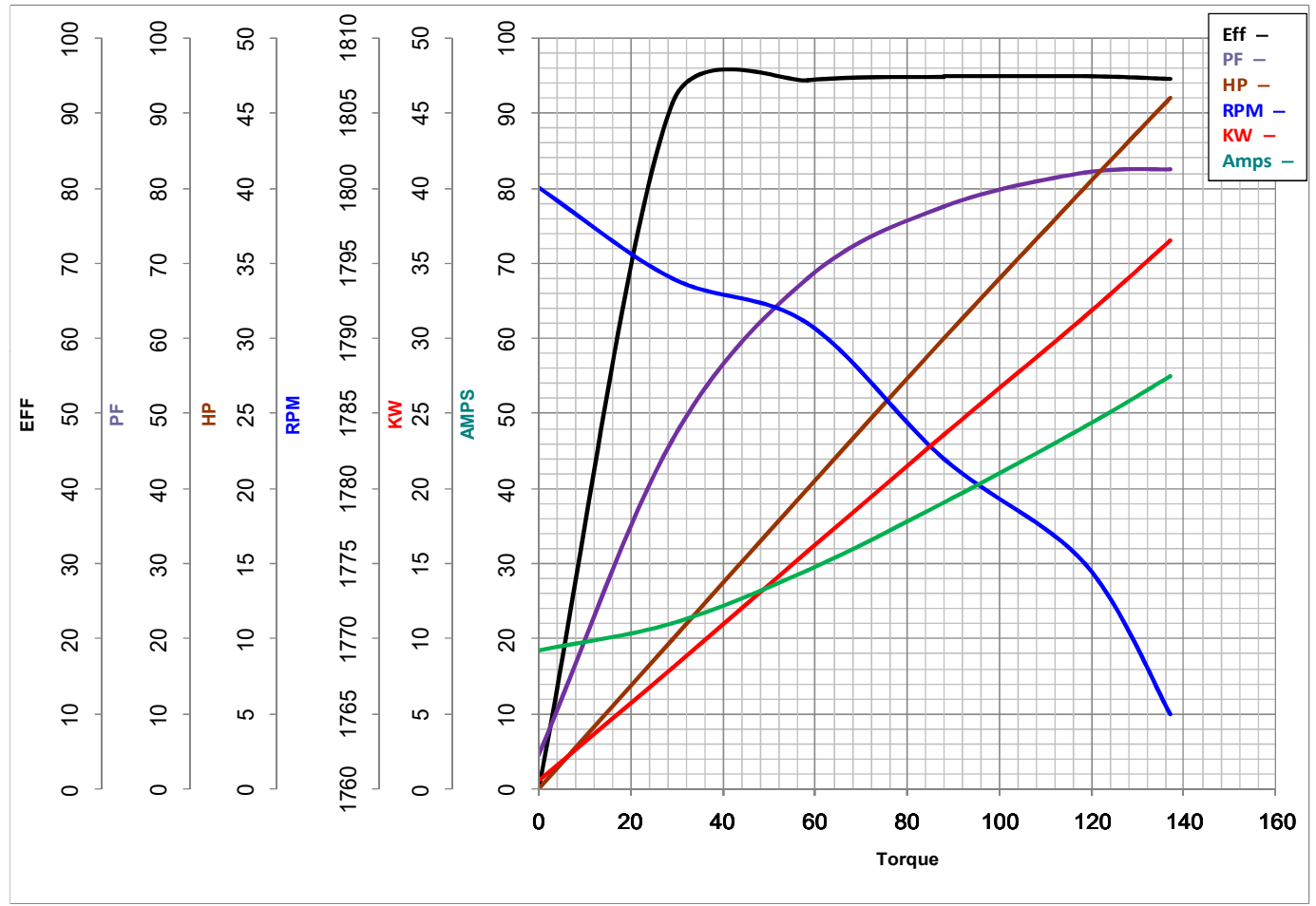
| |
|--|
| INVERTER TORQUE: VARIABLE 3:1 |
| INV. HP SPEED RANGE: NONE |
| ENCODER: NONE NONE NONE NONE NONE PPR |
| BRAKE: NONE NONE NONE P/N NONE NONE NONE NONE FT-LB NONE V NONE Hz |

PREPARED BY: Dinesh
Suddula **DATE:**
02/18/2019 01:10:26 AM
FORM 3531 REV.3 02/07/99
** Subject to change without
notice.



MARATHON ELECTRIC CORPORATION
TYPICAL PERFORMANCE CURVE for AC MOTOR

Customer _____ Curve at 460 Volts HP 40&30 PHASE 3
 Model No 324VTDC6026 60 HZ
40 HP VOLTS 230/460&190/380
 Catalog No V006A HZ 60&50 RPM 1775&1475



Torque in Lb.Ft

| | | | | | |
|-----------|--------------|-------|-----------|----------------|-------|
| FL TORQUE | <u>118.5</u> | Lb.Ft | FL AMPS | <u>96.5/48</u> | |
| BD TORQUE | <u>289.0</u> | Lb.Ft | PU TORQUE | <u>171.0</u> | Lb.Ft |
| LR TORQUE | <u>189</u> | Lb.Ft | LR AMPS | <u>312</u> | |
| WINDING | TPE3244001-1 | | Date | 11/2/2018 | |

EC Declaration of Conformity

The undersigned representing
the manufacturer:

Regal Beloit America
100 East Randolph St.
Wausau, WI 54401

and the authorized representative
established within the Community:

Marathon Electric UK
6F Thistleton Road Ind. Estate
Market Overton
Oakham, Rutland LE15 7PP UK

are committed to providing customers with products that comply with applicable regulations and international protocols to which they are subject, including the requirements of the European Parliament Directive on the Harmonization of the laws relating to electrical equipment designed for use within certain voltage limits (2014/35/EU).

Regal Beloit America declares that the following product(s), to which this declaration relates, are in conformity with the relevant sections of the EC standards listed below.

This statement supersedes any statements previously issued pertaining to the product(s) listed below and is subject to change without notice.

Model No : 324VTDC6026

(Model No. may contain prefix and/or suffix characters)

Catalog No : V006A

Rework No : N/A

Directives :

Low Voltage Directive 2014/35/EU

Harmonized Standards Used :

EN 60034-1: 2010 (IEC 60034-1: 2010)

EN 60034-5: 2001/A1:2007 (IEC 60034-5: 2000/A1:2006)

Authorized Representative:



Michael A. Logsdon
Vice President, Technology

Authorized Representative in the Community:



Julian Clark
Marketing Engineer

Created on 09/01/2022

CE 22