

PRODUCT INFORMATION PACKET

marathon®
Motors

Model No: 324TTFPA8104

Catalog No: L416

Other Purpose Motor, 20 & 15 HP, 3 Ph, 60 & 50 Hz, 230/460 & 190/380 V, 900 & 750 RPM, 324T Frame,
TEFC

Regal and Marathon are trademarks of Regal Rexnord Corporation or one of its affiliated companies.

©2023 Regal Rexnord Corporation, All Rights Reserved. MC017097E

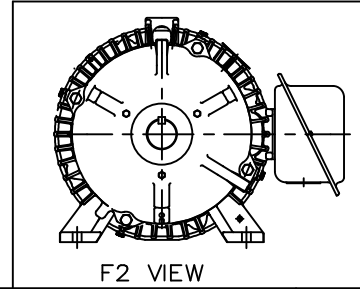
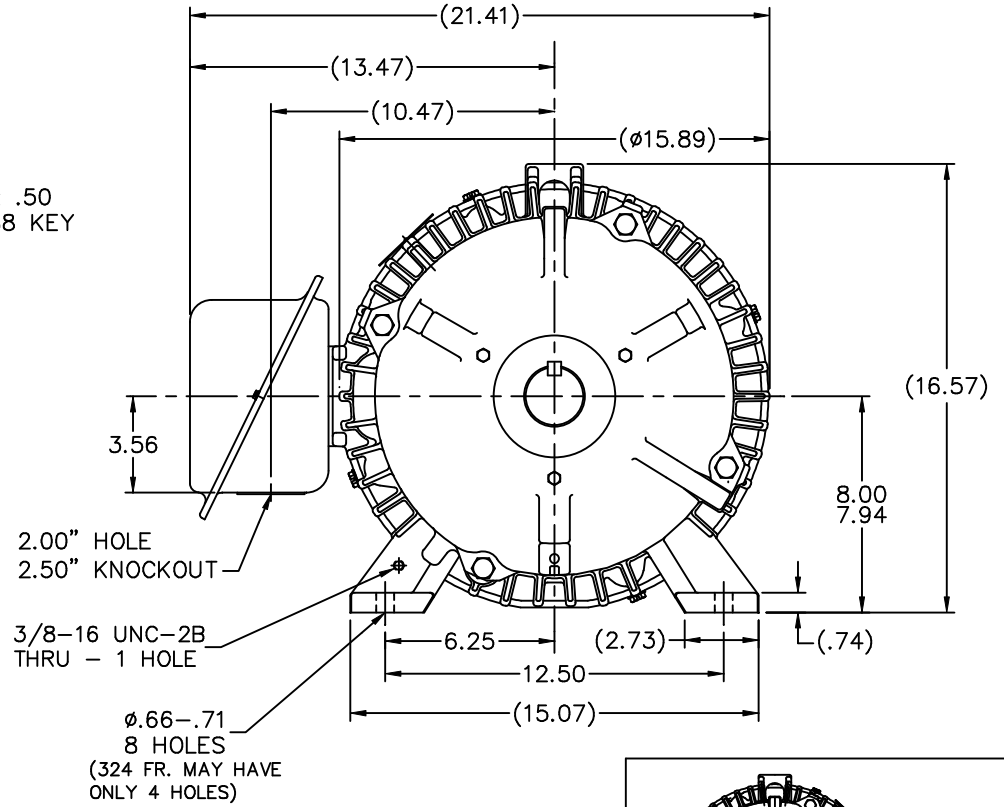
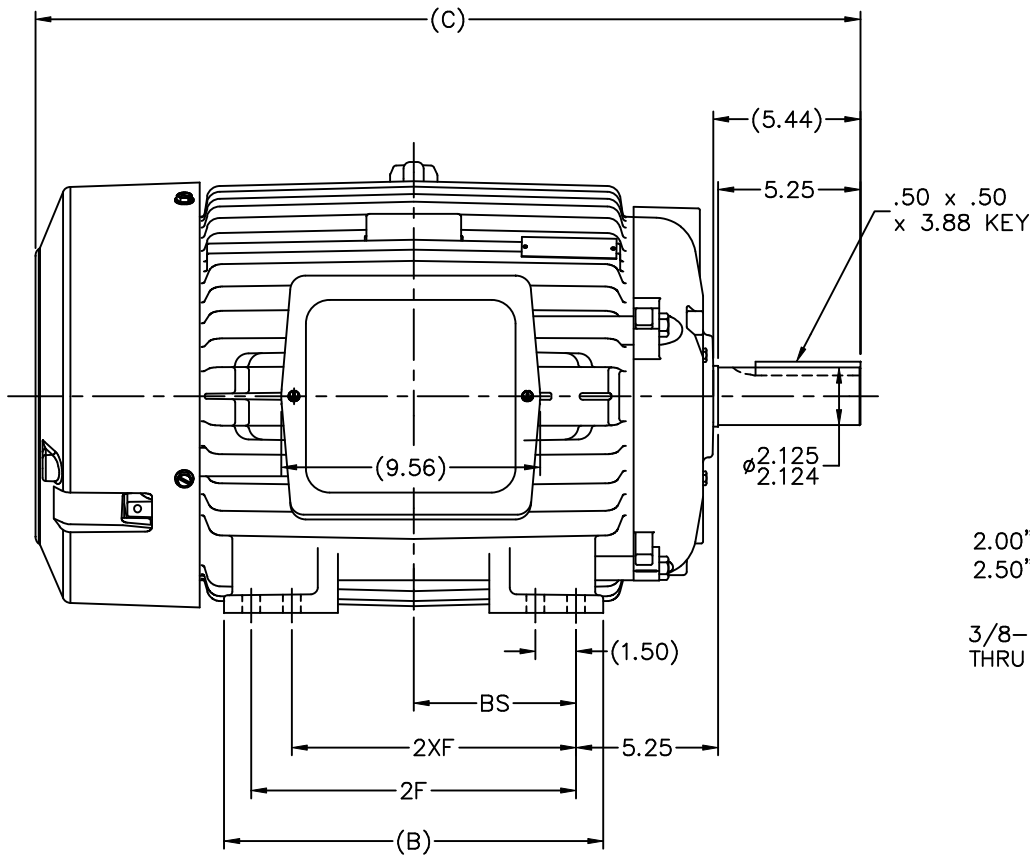
The logo for Regal Rexnord, featuring a stylized 'R' icon followed by the text 'RegalRexnord'.

Nameplate Specifications

Phase	3	Output HP	20 & 15 Hp
Output KW	14.9 & 11.2 kW	Voltage	230/460 & 190/380 V
Speed	870 & 725 rpm	Service Factor	1.15 & 1.15
Frame	324T	Enclosure	Totally Enclosed Fan Cooled
Thermal Protection	No Protection	Efficiency	87.5 & 86.5 %
Ambient Temperature	40 °C	Frequency	60 & 50 Hz
Current	64/32 & 59/29.5 A	Power Factor	67.5
Duty	Continuous	Insulation Class	F
Design Code	B	KVA Code	F
Drive End Bearing Size	6312	Opp Drive End Bearing Size	6311
UL	Recognized	CSA	Y
CE	Y	IP Code	43
Number of Speeds	1		

Technical Specifications

Electrical Type	Squirrel Cage Induction Run	Starting Method	Across The Line
Poles	8	Rotation	Reversible
Resistance Main	0.465 Ohms	Mounting	Rigid Base
Motor Orientation	Horizontal	Drive End Bearing	Ball
Opp Drive End Bearing	Ball	Frame Material	Cast Iron
Shaft Type	T	Overall Length	28.97 in
Frame Length	14.75 in	Shaft Diameter	2.130 in
Shaft Extension	5.25 in	Assembly/Box Mounting	F1/F2 Capable
Outline Drawing	B-SS311081-1475	Connection Drawing	A-EE7308



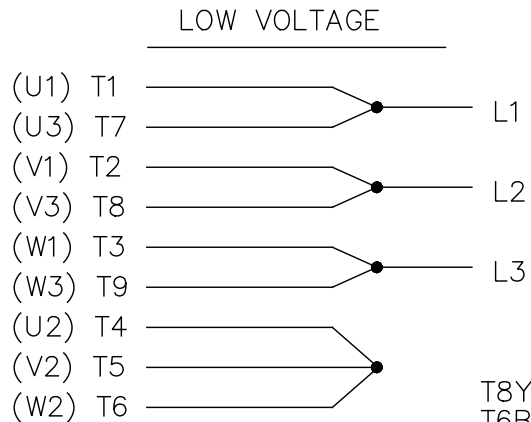
- NOTES:
1. CONDUIT BOX BE ROTATED IN 90° STEPS.
 2. NAMEPLATE TO BE READ FROM CONDUIT BOX SIDE OF MOTOR.
 3. CONDUIT BOX CAN BE MOUNTED ON OPPOSITE SIDE BY REMOVING BRACKETS AND TURNING FRAME 180°.

DASH	FRAME	B	C	2F	2XF	BS
1475	324T	14.00	28.97	10.50		5.25
1625	324/6T	14.00	30.47	12.00	10.50	6.00

		TOLERANCES UNLESS SPECIFIED		MARATHON ELECTRIC		DRAWN NJS 11-07-2000		
		DEC.	INCHES			CHK	ML 11-07-2000	
3	REDRAWN IN AUTOCAD	TAT	06-29-2004	ML	.XX ±.03	TITLE OUTLINE - TFPA		
2	DASH 1475 (B) 14.00 WAS 12.50 CN 29200-1468	HLB	02-26-2001		.XXX ±.005	320 FR - BB - STD. - 12.50 LAM		
1	NEW DRAWING	NJS	11-07-2000		.XXXX ±.0005	MATL		
NO.	REVISION	BY & DATE	CHK	ANG	±7'30"	FINISH		
THIS DRAWING IN DESIGN AND DETAIL IS OUR PROPERTY AND MUST NOT BE USED EXCEPT IN CONNECTION WITH OUR WORK ALL RIGHTS OF DESIGN AND INVENTION ARE RESERVED THIS IS AN ELECTRONICALLY GENERATED DOCUMENT - DO NOT SCALE THIS PRINT				RFP	CAD FILE ss311081		SIZE	DRAWING NO. PAGE OF
				DIST	LB	B	SS311081 3	

EE7308

THREE PHASE
DUAL VOLTAGE MOTOR



VIEW OF TERMINAL END

REF.
WINDING DIAGRAM

T8Y, T2Y, T2BL, T4BX, T2EC, T2G
T6BZ, T2B, T6BL, T4AV, T6B, T4B

OPTIONAL CORD
CONNECTION

L1 — WHITE
L2 — RED
L3 — BLACK

NO.	REVISION	BY & DATE	CHK	ANG	TOLERANCES UNLESS SPECIFIED		FINISH	DRAWN RM 11/20/1990				
					DEC.	INCHES						
5	CHG TO REGAL LOGO	SL 09/10/2015	AB					CHK ML 11/21/1990				
4	REVISED IEC NOTATIONS	MSG 11/15/2011	CMN	.X	±.1			APPD SAS 04/24/2003				
3	ADDED IEC NOTATIONS... (U1), (V1) ETC. MU95194	MSG 5/10/2010	MJS	.XX	±.02		TITLE CONNECTION DIAGRAM	SCALE 1=1				
2	ADDED THE OPTIONAL CORD CONNECTION MU46318	RDH 04/24/2003	DRS	.XXX	±.005		3Ø - DUAL VOLTAGE MOTOR	REF				
1	REDRAWN	RM 11/20/1990		.XXXX	±.0005		MAT'L.	FMF				
					±7'30"			PREV				
THIS DRAWING IN DESIGN AND DETAIL IS OUR PROPERTY AND MUST NOT BE USED EXCEPT IN CONNECTION WITH OUR WORK ALL RIGHTS OF DESIGN AND INVENTION ARE RESERVED THIS IS AN ELECTRONICALLY GENERATED DOCUMENT - DO NOT SCALE THIS PRINT							RFP	CAD FILE ee7308	SIZE A	DRAWING NO. EE7308	PAGE OF 5	REV. 5
							DIST WP					



Regal Beloit America, Inc.