

PRODUCT INFORMATION PACKET

marathon[®]
Motors

Model No: 324TTFPA4028

Catalog No: U727

Other Purpose Motor, 40 & 30 HP, 3 Ph, 60 & 50 Hz, 230/460 & 190/380 V, 1800 & 1500 RPM,
324TC Frame, TEFC

Regal and Marathon are trademarks of Regal Rexnord Corporation or one of its affiliated companies.

©2023 Regal Rexnord Corporation, All Rights Reserved. MC017097E

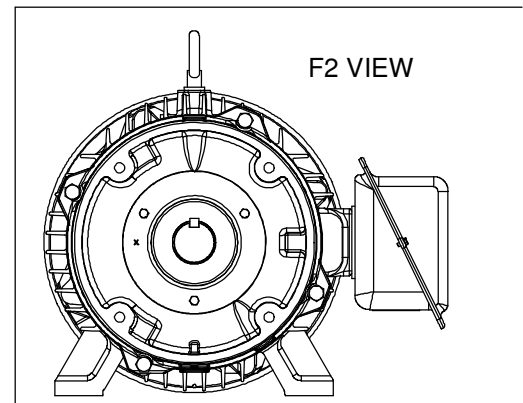
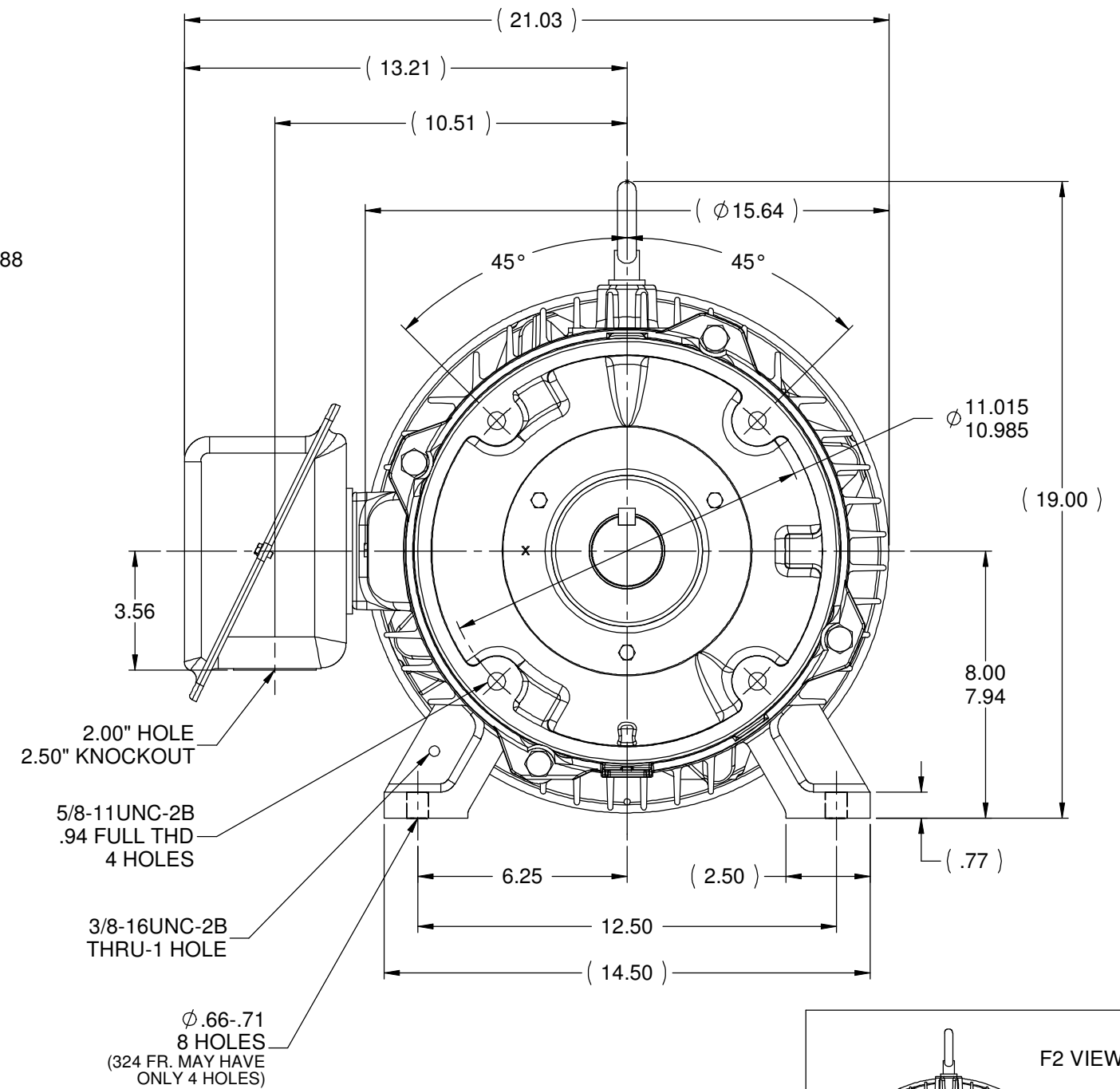
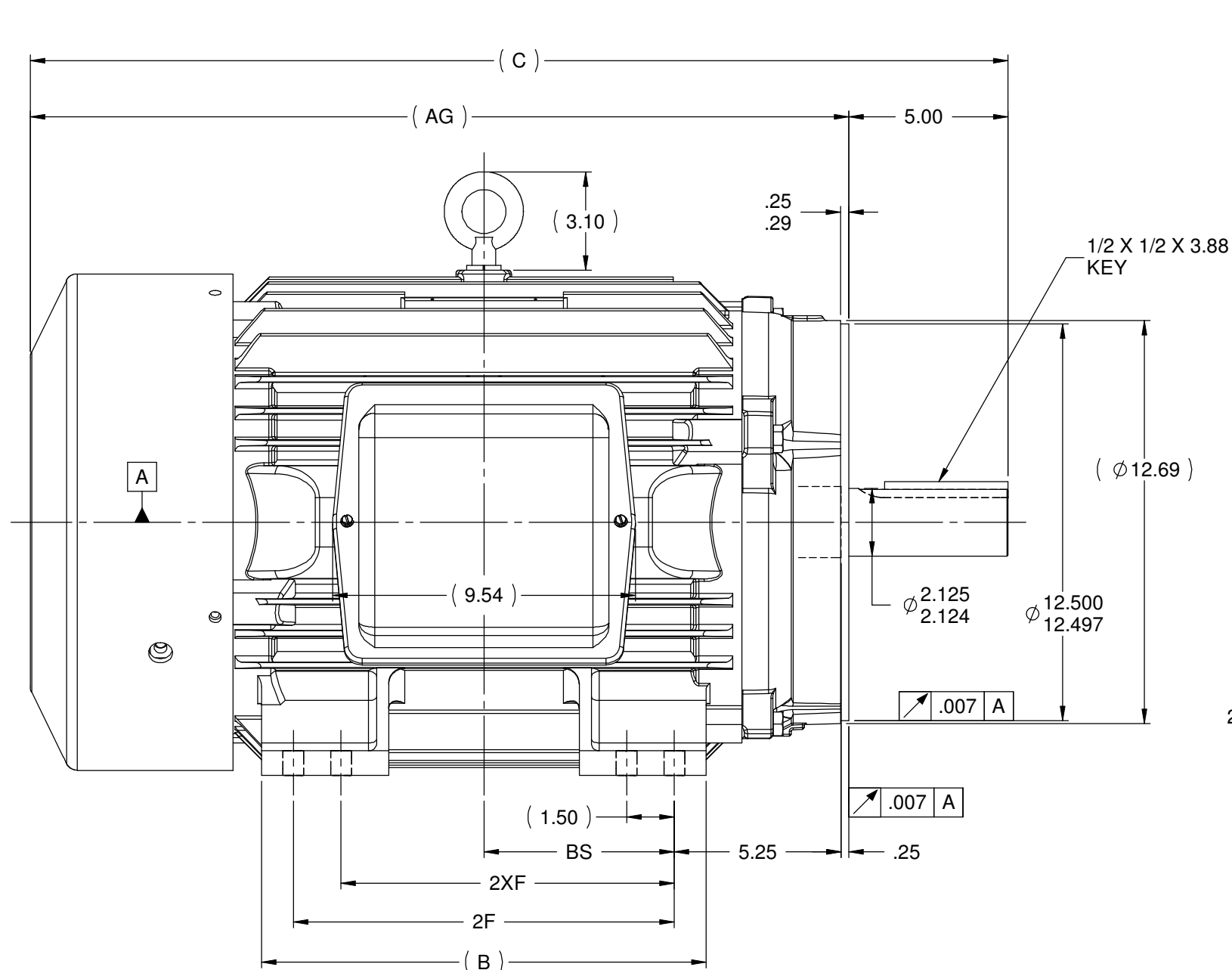
RegalRexnord

Nameplate Specifications

Phase	3	Output HP	40 & 30 Hp
Output KW	30.0 & 22.4 kW	Voltage	230/460 & 190/380 V
Speed	1762 & 1470 rpm	Service Factor	1.15
Frame	324TC	Enclosure	Totally Enclosed Fan Cooled
Thermal Protection	No Protection	Efficiency	93 & 93.6 %
Ambient Temperature	40 °C	Frequency	60 & 50 Hz
Current	100/50 & 91/45.5 A	Power Factor	81
Duty	Continuous	Insulation Class	F
Design Code	B	KVA Code	G
Drive End Bearing Size	6312	Opp Drive End Bearing Size	6311
UL	Recognized	CSA	Y
CE	Y	IP Code	43
Number of Speeds	1		

Technical Specifications

Electrical Type	Squirrel Cage Induction Run	Starting Method	Across The Line
Poles	4	Rotation	Reversible
Resistance Main	.165 Ohms	Mounting	Rigid Base
Motor Orientation	Horizontal	Drive End Bearing	Ball
Opp Drive End Bearing	Ball	Frame Material	Cast Iron
Shaft Type	T	Overall Length	29.29 in
Frame Length	14.75 in	Shaft Diameter	2.125 in
Shaft Extension	5.25 in	Assembly/Box Mounting	F1/F2 CAPABLE
Outline Drawing	B-SS311139-1475	Connection Drawing	A-EE7308



- NOTES:
 1. CONDUIT BOX CAN BE ROTATED IN 90° STEPS.
 2. CONDUIT BOX CAN BE MOUNTED ON OPPOSITE SIDE BY REMOVING BRACKETS AND TURNING FRAME 180°
 3. NAMEPLATES TO BE READ FROM CONDUIT BOX SIDE OF MOTOR.

DASH	FRAME	B	C	AG	BS	2F	2XF
1475	324TC	14.00	29.29	24.29	5.25	10.50	---
1625	326TC	14.00	30.79	25.79	6.00	12.00	10.50

		TOLERANCES UNLESS SPECIFIED				DRAWN HLB 4/4/2001	
		DEC	INCHES			CHK ML 4/4/2001	
		x	±.1	TITLE OUTLINE - TFPA		APPR BW 4/4/2001	
3	C'FACE RUNOUT WAS .004 ECN17459	TJW 8/31/2010	EH	.XX	±.03	SCALE 7:32	
2	REDRAWN IN AUTOCAD	TAT 6/28/2004	ML	.XXX	±.005	REF	
1	NEW DRAWING MU36320	HLB 4/4/2001		.XXXX	±.0005	FMF	
NO	REVISION	BY & DATE	CHK	ANG	±7'30"	PAGE OF	
			RFP	PREV		SIZE	DRAWING NO
			NETWORK FILE NAME SS311139			B	SS311139
							REV
							3





NO.	REVISION	BY & DATE	CHK	ANG	TOLERANCES UNLESS SPECIFIED		FINISH	DRAWN RM	ML	REV.	
					DEC.	INCHES					
5	CHG TO REGAL LOGO	SL 09/10/2015	AB					11/20/1990			
4	REVISED IEC NOTATIONS	MSG 11/15/2011	CMN	.X	±.1				11/21/1990		
3	ADDED IEC NOTATIONS... (U1), (V1) ETC. MU95194	MSG 5/10/2010	MJS	.XX	±.02				04/24/2003		
2	ADDED THE OPTIONAL CORD CONNECTION MU46318	RDH 04/24/2003	DRS	.XXX	±.005						
1	REDRAWN	RM 11/20/1990		.XXXX	±.0005						
					±7'30"						
THIS DRAWING IN DESIGN AND DETAIL IS OUR PROPERTY AND MUST NOT BE USED EXCEPT IN CONNECTION WITH OUR WORK ALL RIGHTS OF DESIGN AND INVENTION ARE RESERVED THIS IS AN ELECTRONICALLY GENERATED DOCUMENT - DO NOT SCALE THIS PRINT							RFP	CAD FILE ee7308	SIZE	DRAWING NO. PAGE OF	REV.
							DIST WP		A	EE7308 5	5



TITLE CONNECTION DIAGRAM
3Ø - DUAL VOLTAGE MOTOR