

# PRODUCT INFORMATION PACKET

Model No: 324TTFPA17078

Catalog No: M898

Other Purpose Motor, 25 HP, 3 Ph, 60 Hz, 230/460 V, 1200 RPM, 324HPV Frame, TEFC

Regal and are trademarks of Regal Rexnord Corporation or one of its affiliated companies.  
©2022 Regal Rexnord Corporation, All Rights Reserved. MC017097E

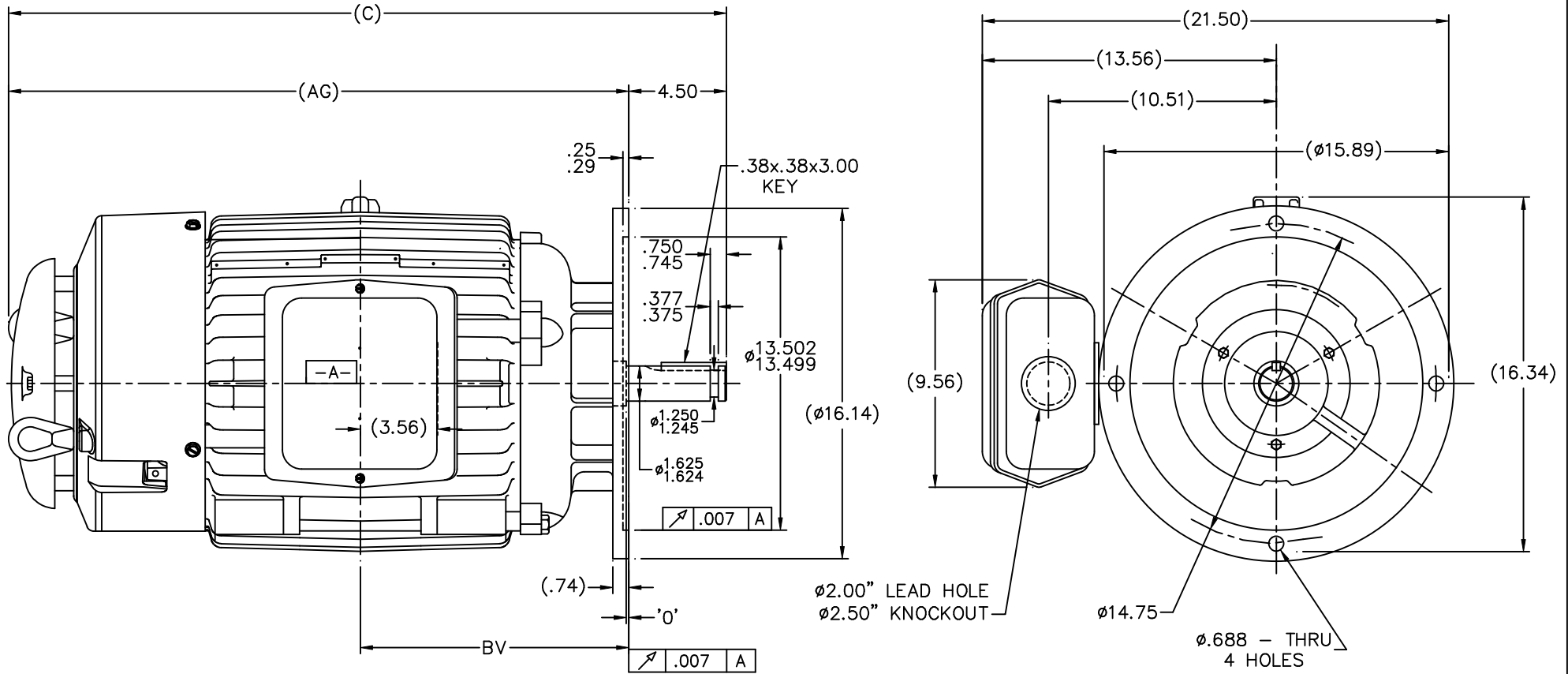


### Nameplate Specifications

Output HP	<b>25 Hp</b>	Output KW	<b>18.7 kW</b>
Frequency	<b>60 Hz</b>	Voltage	<b>230/460 V</b>
Current	<b>67.0/33.5 A</b>	Speed	<b>1170 rpm</b>
Service Factor	<b>1.15</b>	Phase	<b>3</b>
Efficiency	<b>91.7 %</b>	Power Factor	<b>76</b>
Duty	<b>Continuous</b>	Insulation Class	<b>F</b>
Design Code	<b>B</b>	KVA Code	<b>F</b>
Frame	<b>324HPV</b>	Enclosure	<b>Totally Enclosed Fan Cooled</b>
Thermal Protection	<b>No Protection</b>	Ambient Temperature	<b>40 °C</b>
Drive End Bearing Size	<b>6312</b>	Opp Drive End Bearing Size	<b>6311</b>
UL	<b>Recognized</b>	CSA	<b>Y</b>
CE	<b>Y</b>	IP Code	<b>43</b>
Number of Speeds	<b>1</b>		

### Technical Specifications

Electrical Type	<b>Squirrel Cage Induction Run</b>	Starting Method	<b>Across The Line</b>
Poles	<b>6</b>	Rotation	<b>Reversible</b>
Resistance Main	<b>.345 Ohms</b>	Mounting	<b>Round</b>
Motor Orientation	<b>Shaft Down</b>	Drive End Bearing	<b>Ball</b>
Opp Drive End Bearing	<b>Ball</b>	Frame Material	<b>Cast Iron</b>
Shaft Type	<b>HP</b>	Overall Length	<b>33.09 in</b>
Frame Length	<b>14.75 in</b>	Shaft Diameter	<b>1.625 in</b>
Shaft Extension	<b>4.5 in</b>	Assembly/Box Mounting	<b>F1/F2 CAPABLE</b>
Outline Drawing	<b>B-SS311333-1475</b>	Connection Drawing	<b>A-EE7308</b>



- NOTES:  
 1. BOX CAN ONLY BE ROTATED CLOCKWISE UP TO 270° FROM ITS ORIGINAL POSITION.  
 2. NAMEPLATE TO BE READ FROM CONDUIT BOX SIDE OF MOTOR.

					TOLERANCES UNLESS SPECIFIED				DRAWN CAV 05-02-2002		
					DEC.	INCHES			CHK	ML 05-06-2002	
					.X	±.1	APPD DD 05-07-2002		SCALE	1=4.5	
					.XX	±.03	TITLE OUTLINE - TEFC - TTFPA		REF		
					.XXX	±.005	320HP FR. - BB - STD - 12.50 LAM.		FMF		
					DD	±.0005	MATL		PREV		
					NO.	REVISION	CHK	ANG	FINISH		
					THIS DRAWING IN DESIGN AND DETAIL IS OUR PROPERTY AND MUST NOT BE USED EXCEPT IN CONNECTION WITH OUR WORK ALL RIGHTS OF DESIGN AND INVENTION ARE RESERVED THIS IS AN ELECTRONICALLY GENERATED DOCUMENT - DO NOT SCALE THIS PRINT		RFP	CAD FILE SS311333		SIZE	DRAWING NO. PAGE OF REV.
							DIST	LB	B	SS311333	2

DASH	FRAME	AG	C	BV		
1475	324/326HP	28.59	33.09	12.38		
1625	326HP	30.09	34.59	13.12		

EE7308

THREE PHASE  
DUAL VOLTAGE MOTOR



VIEW OF TERMINAL END

REF.  
WINDING DIAGRAM

T8Y, T2Y, T2BL, T4BX, T2EC, T2G  
T6BZ, T2B, T6BL, T4AV, T6B, T4B

OPTIONAL CORD  
CONNECTION

L1 — WHITE  
L2 — RED  
L3 — BLACK

NO.	REVISION	BY & DATE	CHK	ANG	TOLERANCES UNLESS SPECIFIED		FINISH	DRAWN RM 11/20/1990				
					DEC.	INCHES						
5	CHG TO REGAL LOGO	SL 09/10/2015	AB					CHK ML 11/21/1990				
4	REVISED IEC NOTATIONS	MSG 11/15/2011	CMN	.X	±.1			APPD SAS 04/24/2003				
3	ADDED IEC NOTATIONS... (U1), (V1) ETC. MU95194	MSG 5/10/2010	MJS	.XX	±.02			SCALE 1=1				
2	ADDED THE OPTIONAL CORD CONNECTION MU46318	RDH 04/24/2003	DRS	.XXX	±.005		TITLE CONNECTION DIAGRAM 3Ø - DUAL VOLTAGE MOTOR	REF				
1	REDRAWN	RM 11/20/1990		.XXXX	±.0005		MAT'L.	FMF				
					±7'30"			PREV				
THIS DRAWING IN DESIGN AND DETAIL IS OUR PROPERTY AND MUST NOT BE USED EXCEPT IN CONNECTION WITH OUR WORK ALL RIGHTS OF DESIGN AND INVENTION ARE RESERVED THIS IS AN ELECTRONICALLY GENERATED DOCUMENT - DO NOT SCALE THIS PRINT							RFP	CAD FILE ee7308	SIZE A	DRAWING NO. EE7308	PAGE OF 5	REV. 5
							DIST WP					



Regal Beloit America, Inc.