

# PRODUCT INFORMATION PACKET

Model No: 324TTFCD6082

Catalog No: GT3129A

Globetrotter® Close-Coupled Pump Motor, 25 & 20 HP, 3 Ph, 60 & 50 Hz, 230/460 & 190/380 V,  
1200 & 1000 RPM, 324JM Frame, TEFC



Regal and Marathon are trademarks of Regal Rexnord Corporation or one of its affiliated companies.

©2023 Regal Rexnord Corporation, All Rights Reserved. MC017097E

### Nameplate Specifications

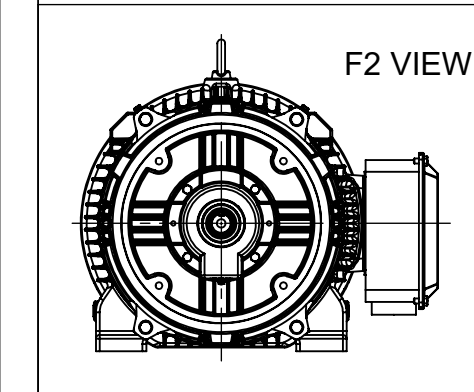
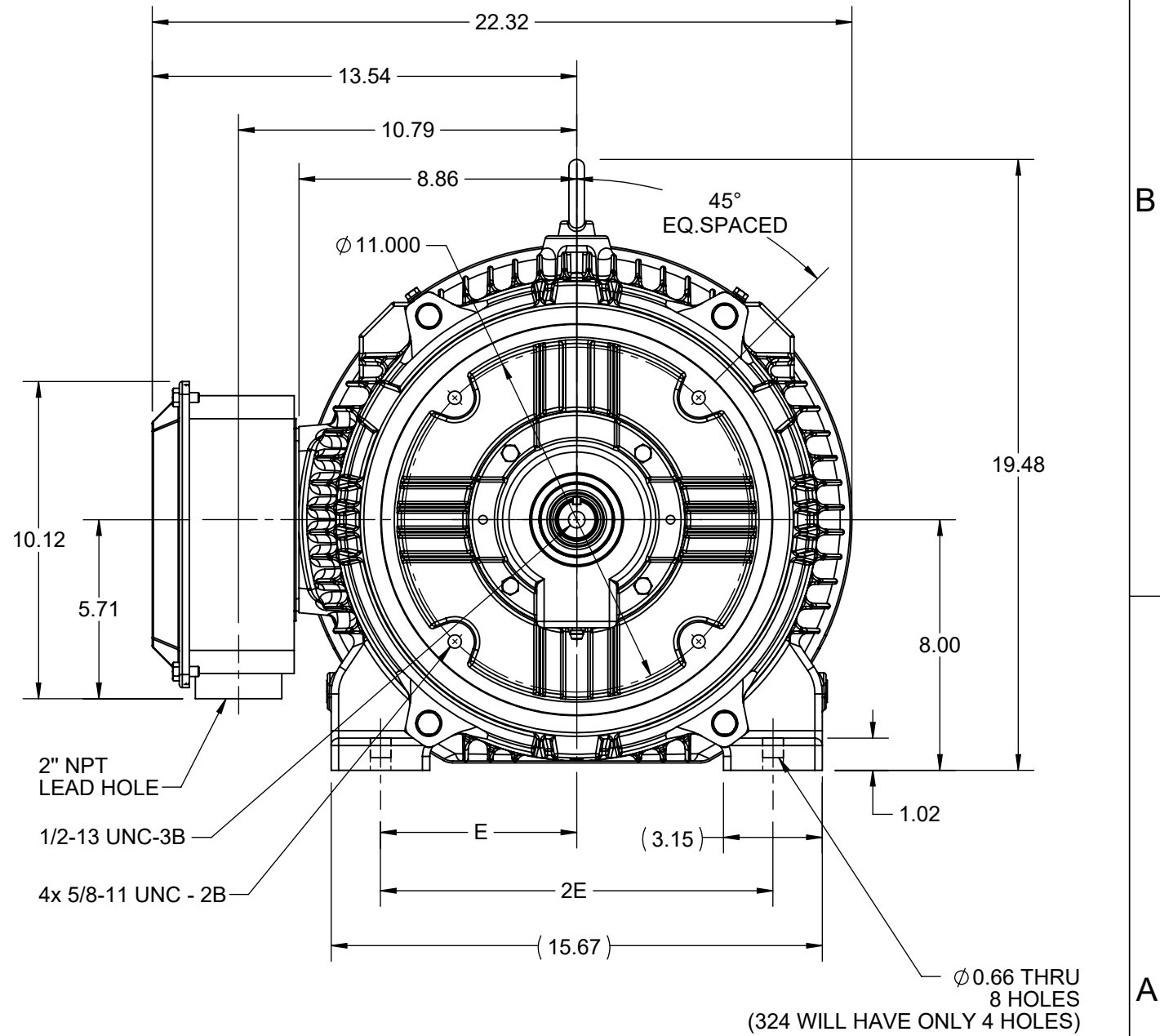
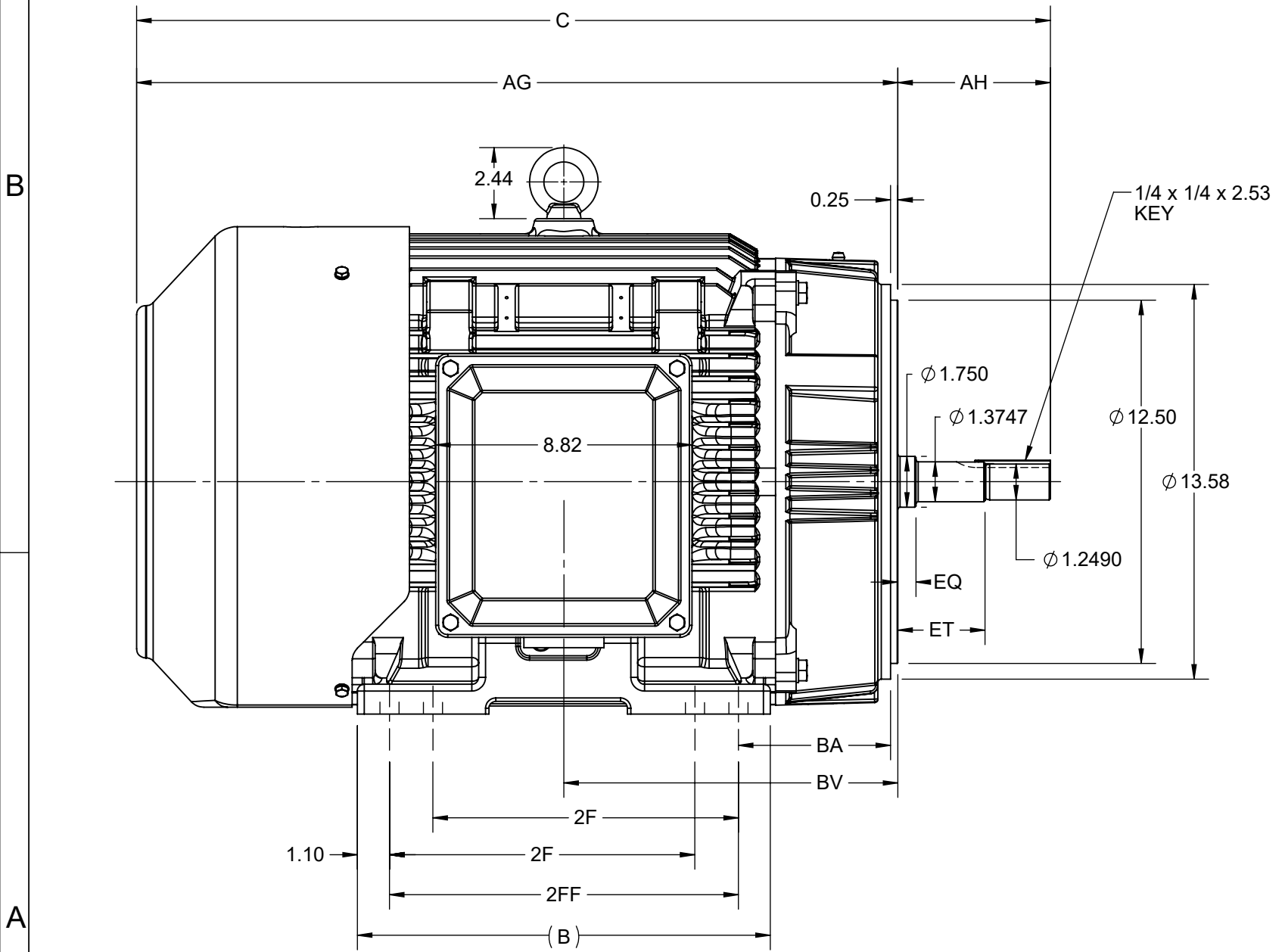
Phase	<b>3</b>	Output HP	<b>25 &amp; 20 Hp</b>
Output KW	<b>18.7 &amp; 14.9 kW</b>	Voltage	<b>230/460 &amp; 190/380 V</b>
Speed	<b>1184 &amp; 985 rpm</b>	Service Factor	<b>1.15 &amp; 1.15</b>
Frame	<b>324JM</b>	Enclosure	<b>Totally Enclosed Fan Cooled</b>
Thermal Protection	<b>No Protection</b>	Efficiency	<b>93 &amp; 92.4 %</b>
Ambient Temperature	<b>40 °C</b>	Frequency	<b>60 &amp; 50 Hz</b>
Current	<b>64/32 &amp; 63/31.5 A</b>	Power Factor	<b>78.5</b>
Duty	<b>Continuous</b>	Insulation Class	<b>F</b>
Design Code	<b>B</b>	KVA Code	<b>G</b>
Drive End Bearing Size	<b>6312</b>	Opp Drive End Bearing Size	<b>6212</b>
UL	<b>Listed</b>	CSA	<b>Y</b>
CE	<b>Y</b>	IP Code	<b>55</b>
Number of Speeds	<b>1</b>	Hazardous Location	<b>DIVISION 2 T2B</b>

### Technical Specifications

Electrical Type	<b>Squirrel Cage Inverter Rated</b>	Starting Method	<b>Part Wdg Start Low Volt Only &amp; Wye Start Delta Run Or Inverter</b>
Poles	<b>6</b>	Rotation	<b>Reversible</b>
Resistance Main	<b>.327 Ohms</b>	Mounting	<b>Rigid Base</b>
Motor Orientation	<b>Horizontal</b>	Drive End Bearing	<b>Ball</b>
Opp Drive End Bearing	<b>Ball</b>	Frame Material	<b>Cast Iron</b>
Shaft Type	<b>JM</b>	Overall Length	<b>32.55 in</b>
Frame Length	<b>13.07 in</b>	Shaft Diameter	<b>1.375 in</b>
Shaft Extension	<b>8.1 in</b>	Assembly/Box Mounting	<b>F1/F2 CAPABLE</b>
Inverter Load	<b>CONSTANT 2:1/VARIABLE 10:1</b>		
Outline Drawing	<b>SS620799-100</b>	Connection Drawing	<b>EE7308AA</b>



4				3						2				1	
DASH NO.	B	C	E	2E	2F	2FF	AG	AH	BA	BV	EQ	ET	MOUNTING	FRAME	
100	12.71	29.95	6.25	12.50	----	10.50	24.70	5.25	5.25	10.75	0.64	3.00	F1 OR F2	324JM	
200	14.21	31.44			10.50	12.00	26.19			11.50				324/326JM	



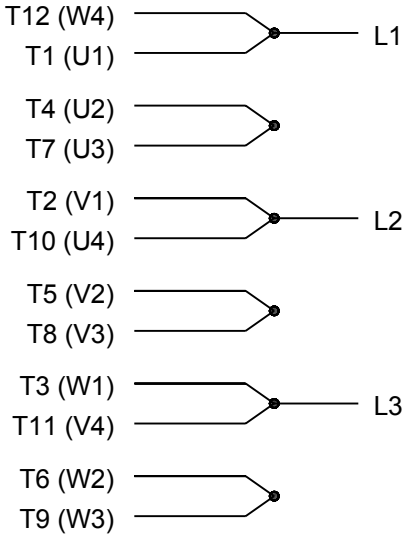
DRAWING REVISION D	REVISION BY ASHOK N	REV DATE/© DATE 23/12/2020
ECO CR-0000301	APPROVED BY GNK	DATE 23/12/2020
ECO DESCRIPTION <b>DRAWING UPDATED</b>		
<small>COPYRIGHT (PER REVISION DATE) REGAL BELOIT AMERICA, INC. ALL RIGHTS RESERVED. PROPRIETARY AND CONFIDENTIAL INFORMATION - THIS DOCUMENT IS THE PROPERTY OF REGAL BELOIT AMERICA, INC. ("OWNER") AND CONTAINS OWNER'S PROPRIETARY INFORMATION. ANY PERSON, CORPORATION OR OTHER FIRM RECEIVING IT IS DEEMED, BY RECEIVING IT, TO AGREE THAT IT, AND/OR ANY PART OF IT, SHALL NOT BE DISCLOSED TO ANY PERSON, CORPORATION OR OTHER ENTITY, DUPLICATED, AND/OR USED, EXCEPT AS EXPRESSLY APPROVED IN WRITING IN ADVANCE BY OWNER. THIS DOCUMENT SHALL BE RETURNED TO OWNER UPON REQUEST. IT MAY BE SUBJECT TO CERTAIN RESTRICTIONS UNDER APPLICABLE EXPORT CONTROL LAWS AND REGULATIONS.</small>		

PRIMARY DIMENSIONS ARE INCH  
mm DIMENSIONS IN [BRACKETS]  
ARE FOR REFERENCE ONLY

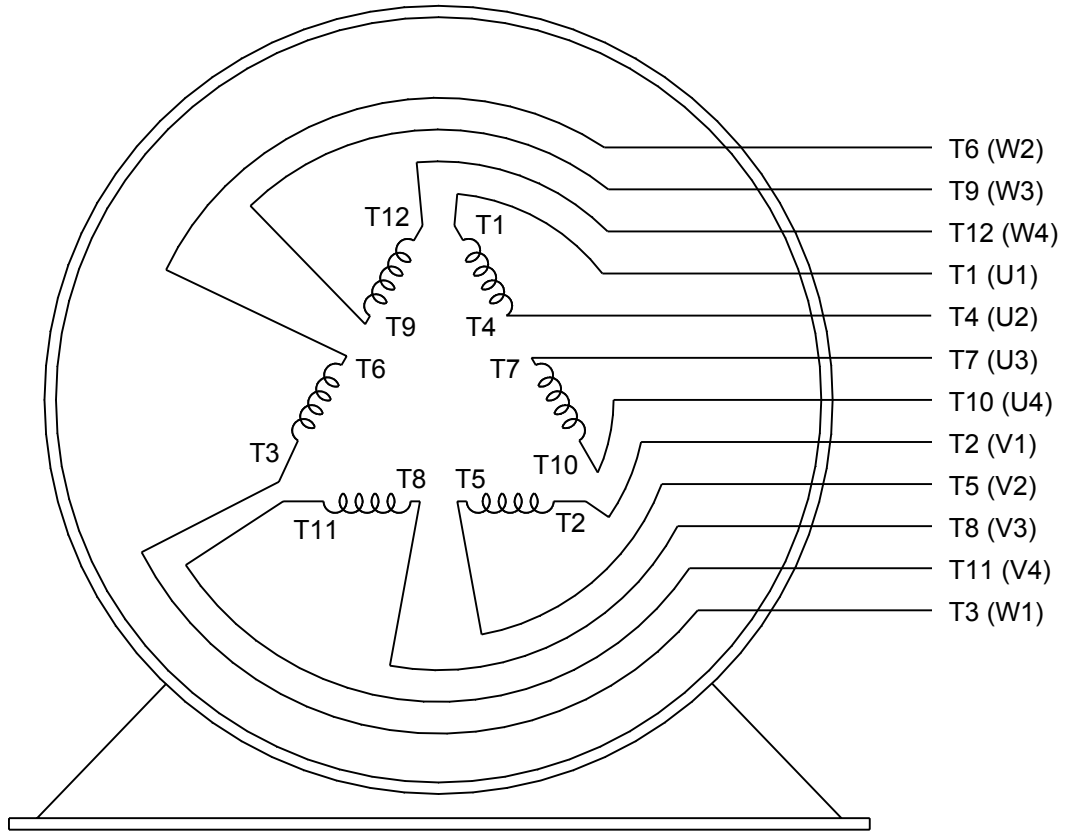
DRAWN BY SN	<b>REGAL</b> ® Regal Beloit America, Inc.
DATE 17/04/2017	
APPROVED BY SBD	DESCRIPTION <b>OUTLINE</b>
DATE 17/04/2017	324/326 JM FR-NEMA-TEFC- CAST IRON
REFERENCE	MATERIAL PROCESS/FINISH
THIRD ANGLE PROJECTION	SIZE DRAWING NUMBER <b>B</b> <b>SS620799</b>
	SHEET 1 OF 1



**LOW VOLTAGE**

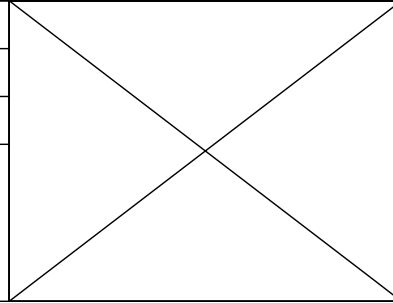


**HIGH VOLTAGE**



**VIEW OF TERMINAL END**

DRAWING REVISION <b>K</b>	REVISION BY <b>AJW</b>	DATE <b>07-17-2015</b>
ECO <b>ECO-0081632</b>	APPROVED BY <b>T. VUE</b>	DATE <b>07-17-2015</b>
ECO DESCRIPTION <b>REV'D IEC MARKINGS PER IEC 60034-8</b>		
COPYRIGHT REGAL BELOIT AMERICA, INC. ALL RIGHTS RESERVED. PROPRIETARY AND CONFIDENTIAL INFORMATION - THIS DOCUMENT IS THE PROPERTY OF REGAL BELOIT AMERICA, INC. ("OWNER") AND CONTAINS OWNER'S PROPRIETARY INFORMATION. ANY PERSON, CORPORATION OR OTHER FIRM RECEIVING IT IS DEEMED, BY RECEIVING IT, TO AGREE THAT IT, AND/OR ANY PART OF IT, SHALL NOT BE DISCLOSED TO ANY PERSON, CORPORATION OR OTHER ENTITY, DUPLICATED, AND/OR USED, EXCEPT AS EXPRESSLY APPROVED IN WRITING IN ADVANCE BY OWNER. THIS DOCUMENT SHALL BE RETURNED TO OWNER UPON REQUEST. IT MAY BE SUBJECT TO CERTAIN RESTRICTIONS UNDER APPLICABLE EXPORT CONTROL LAWS AND REGULATIONS.		



DRAWN BY <b>LZ</b>	DATE <b>01-12-1994</b>
APPROVED BY <b>GK</b>	DATE <b>01-14-1994</b>
REFERENCE	THIRD ANGLE PROJECTION

<b>Regal Beloit America, Inc.</b>		
<b>DESCRIPTION</b> <b>CONN DIAGRAM-EXTERNAL</b> <b>3Ø-2/1 DELTA-12 LEADS</b>		
MATERIAL	PROCESS/FINISH	
SIZE <b>A</b>	DRAWING NUMBER <b>EE7308AA</b>	SHEET <b>1 OF 1</b>



**P.O. BOX 8003  
WAUSAU, WI 54401-8003  
PH. 715-675-3311**

**CERTIFICATION DATA SHEET**

**CUSTOMER:**

**CUSTOMER PO#:**

**ORDER #:**

**MODEL #:** 324TTFCD6082 AA

**CONN. DIAGRAM:** EE7308AA

**CUSTOMER PART #:**

**OUTLINE:** SS620799

**MOUNTING:** F1/F2 CAPABLE

**WINDING #:** HE32006005 2

**TYPICAL MOTOR PERFORMANCE DATA**

HP	kW	SYNC. RPM	F.L. RPM	FRAME	ENCLOSURE	KVA CODE	DESIGN
25&20	18.7&14.9	1200	1184&985	324JM	TEFC	G	B

PH	Hz	VOLTS	AMPS	START TYPE	DUTY	INSL	S.F.	AMB°C
3	60/50	230/460&190/380	64/32&63/31.5	Y START D RUN OR INV	CONTINUOUS	F7	1.15/1.15	40

FULL LOAD EFF:	93&92.4	3/4 LOAD EFF:	93	1/2 LOAD EFF:	92.4	GTD. EFF		ELEC. TYPE	
FULL LOAD PF:	78.5&78.5	3/4 LOAD PF:	73.5	1/2 LOAD PF:	62	92.4		SQ CAGE INV RATED	

F.L. TORQUE	LOCKED ROTOR AMPS	L.R. TORQUE	B.D. TORQUE	F.L. RISE°C
111 LB-FT	364 / 182	200 LB-FT 180 %	272 LB-FT 245 %	60

SOUND PRESSURE @ 3 FT.	SOUND POWER	ROTOR WK^2	MAX. WK^2	SAFE STALL TIME	STARTS / HOUR	APPROX. MOTOR WGT
56 dBA	66 dBA	11.8 LB-FT^2	- LB-FT^2	20 SEC.	2	675 LBS.

**\*\*\* SUPPLEMENTAL INFORMATION \*\*\***

DE BRACKET TYPE	ODE BRACKET TYPE	MOUNT TYPE	ORIENTATION	SEVERE DUTY	HAZARDOUS LOCATION	DRIP COVER	SCREENS	PAINT
C-FACE	STANDARD	RIGID	HORIZONTAL	FALSE	DIVISION 2	FALSE	NONE	BLUE (ENAMEL)

BEARINGS		GREASE	SHAFT TYPE	SPECIAL DE	SPECIAL ODE	SHAFT MATERIAL	FRAME MATERIAL
DE	ODE						
BALL	BALL	POLYREX EM	JM	NONE	NONE	1045 HOT ROLLED (C-204)	CAST IRON
6312	6212						

THERMO-PROTECTORS				THERMISTORS	CONTROL	SPACE HEATERS
THERMOSTATS	PROTECTORS	WDG RTDs	BRG RTDs			
NONE	NOT	NONE	NONE	NONE	FALSE	NONE VOLTS

\*  
N  
O  
T  
E  
S  
\*

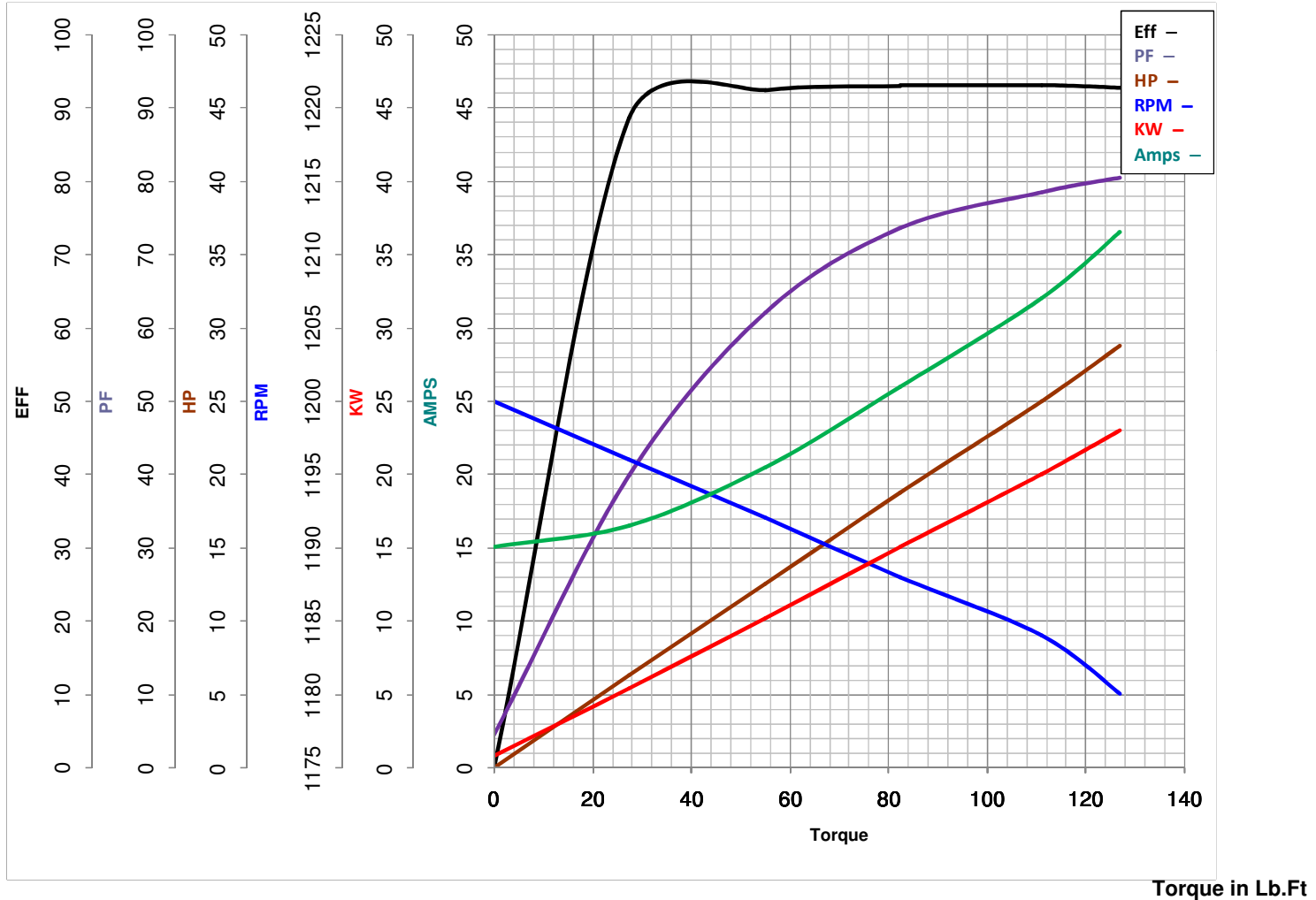
<b>INVERTER</b> TORQUE: CONSTANT 10:1/VARIABLE 20:1 INV. HP SPEED RANGE: NONE
<b>ENCODER:</b> NONE NONE NONE NONE NONE PPR
<b>BRAKE:</b> NONE NONE NONE P/N NONE NONE NONE NONE FT-LB NONE V NONE Hz

**PREPARED BY:** Anusha Muthyala  
**DATE:** 05/29/2018 07:17:24 AM  
FORM 3531 REV.3 02/07/99  
\*\* Subject to change without notice.

**MARATHON ELECTRIC CORPORATION**

TYPICAL PERFORMANCE CURVE for AC MOTOR

Customer \_\_\_\_\_ Curve at 460 Volts HP 25&20 PHASE 3  
 Model No 324TTFC6082 60 HZ  
25 HP VOLTS 230/460&190/380  
 Catalog No GT3129A HZ 60&50 RPM 1184&985



FL TORQUE	<u>111</u>	Lb.Ft	FL AMPS	<u>64/32</u>	
BD TORQUE	<u>272.0</u>	Lb.Ft	PU TORQUE	<u>168.0</u>	Lb.Ft
LR TORQUE	<u>200</u>	Lb.Ft	LR AMPS	<u>182</u>	
WINDING	HE32006005-2		Date	5/29/2018	

## EC Declaration of Conformity

The undersigned representing  
the manufacturer:

Regal Beloit America  
100 East Randolph St.  
Wausau, WI 54401

and the authorized representative  
established within the Community:

Marathon Electric UK  
6F Thistleton Road Ind. Estate  
Market Overton  
Oakham, Rutland LE15 7PP UK

are committed to providing customers with products that comply with applicable regulations and international protocols to which they are subject, including the requirements of the European Parliament Directive on the Harmonization of the laws relating to electrical equipment designed for use within certain voltage limits (2014/35/EU).

Regal Beloit America declares that the following product(s), to which this declaration relates, are in conformity with the relevant sections of the EC standards listed below.

This statement supersedes any statements previously issued pertaining to the product(s) listed below and is subject to change without notice.

Model No : 324TTFCD6082

(Model No. may contain prefix and/or suffix characters)

Catalog No : GT3129A

Rework No : N/A

Directives :

Low Voltage Directive 2014/35/EU

Harmonized Standards Used :

EN 60034-1: 2010 (IEC 60034-1: 2010)

EN 60034-5: 2001/A1:2007 (IEC 60034-5: 2000/A1:2006)

Authorized Representative:



Michael A. Logsdon  
Vice President, Technology

Authorized Representative in the Community:



Julian Clark  
Marketing Engineer

Created on 09/01/2022

**CE 22**