

# PRODUCT INFORMATION PACKET

**marathon®**  
Motors

Model No: 324TTFCD6029

Catalog No: GT1234A-P

Globetrotter® General Purpose Motor, 40 & 30 HP, 3 Ph, 60 & 50 Hz, 230/460 & 190/380 V,  
1800 & 1500 RPM, 324TC Frame, TEFC



Regal and Marathon are trademarks of Regal Rexnord Corporation or one of its affiliated companies.

©2023 Regal Rexnord Corporation, All Rights Reserved. MC017097E

**RegalRexnord**

### Nameplate Specifications

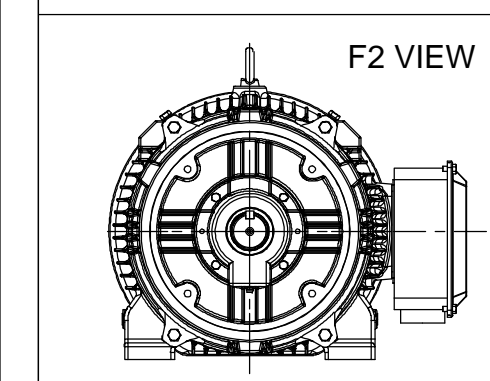
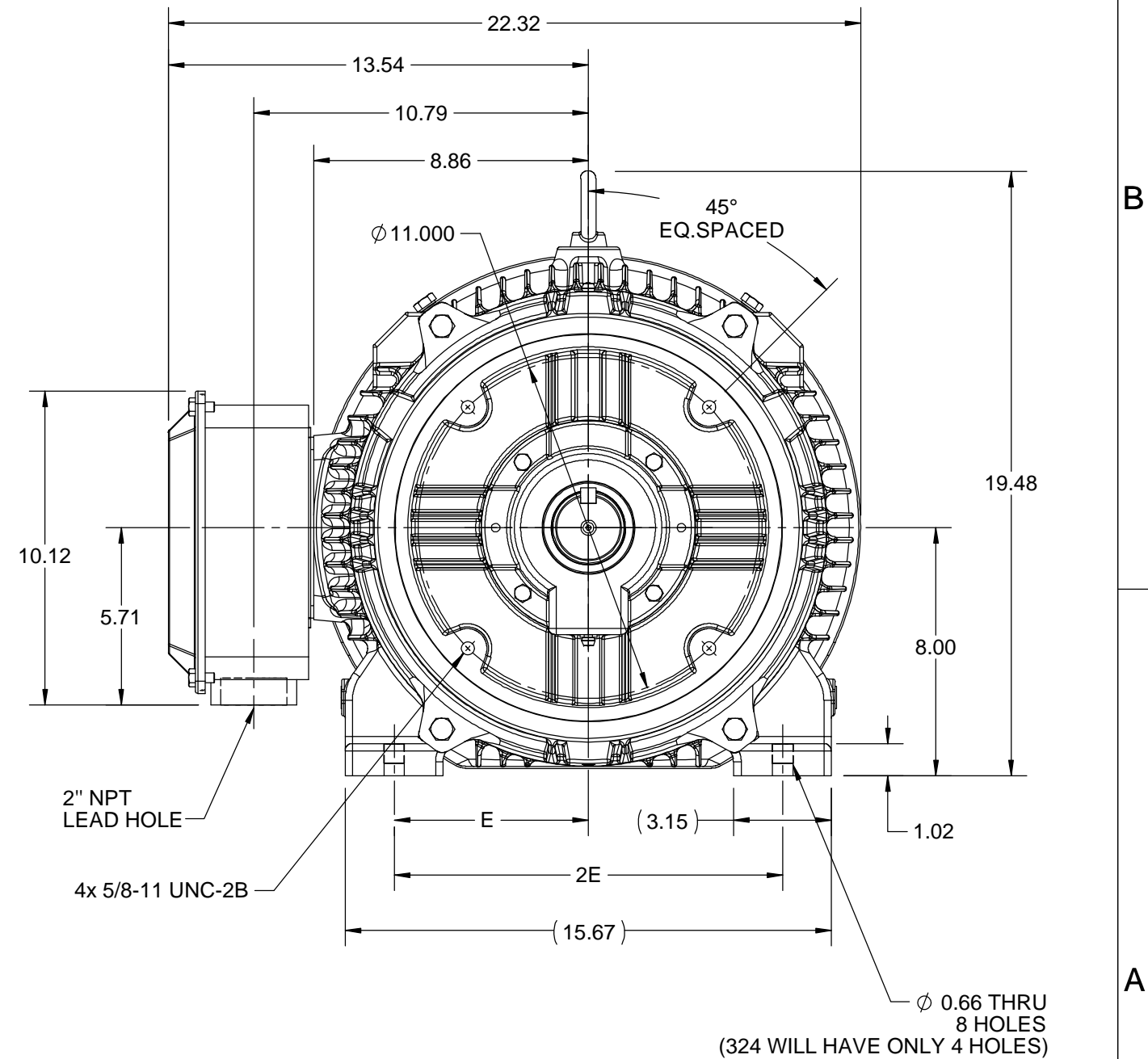
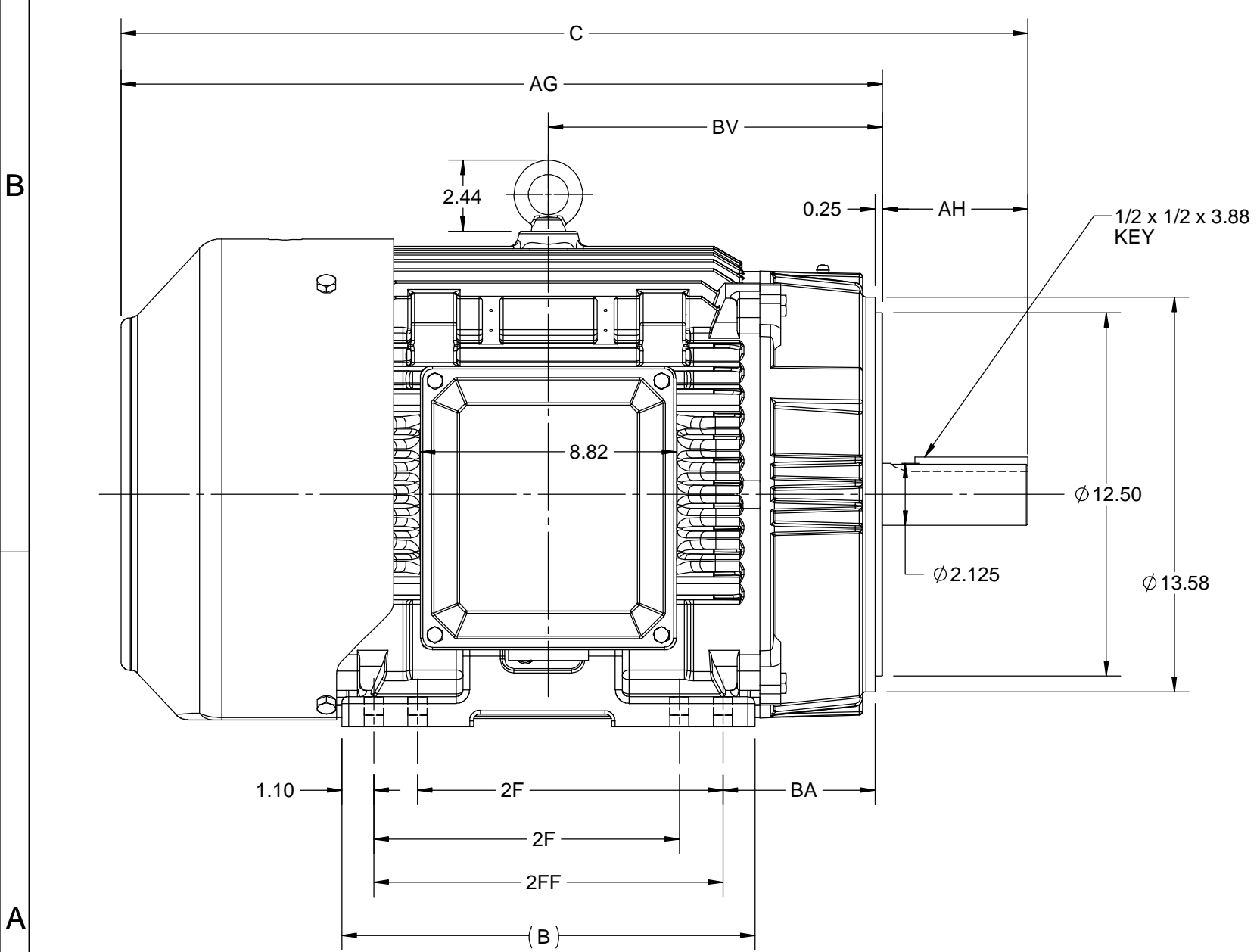
Phase	<b>3</b>	Output HP	<b>40 &amp; 30 Hp</b>
Output KW	<b>30.0 &amp; 22.4 kW</b>	Voltage	<b>230/460 &amp; 190/380 V</b>
Speed	<b>1782 &amp; 1485 rpm</b>	Service Factor	<b>1.15 &amp; 1.15</b>
Frame	<b>324TC</b>	Enclosure	<b>Totally Enclosed Fan Cooled</b>
Thermal Protection	<b>No Protection</b>	Efficiency	<b>94.1 &amp; 94.2 %</b>
Ambient Temperature	<b>40 °C</b>	Frequency	<b>60 &amp; 50 Hz</b>
Current	<b>95/47.5 &amp; 87/43.5 A</b>	Power Factor	<b>84</b>
Duty	<b>Continuous</b>	Insulation Class	<b>F</b>
Design Code	<b>B</b>	KVA Code	<b>G</b>
Drive End Bearing Size	<b>6312</b>	Opp Drive End Bearing Size	<b>6212</b>
UL	<b>Recognized</b>	CSA	<b>Y</b>
CE	<b>Y</b>	IP Code	<b>55</b>
Number of Speeds	<b>1</b>		

### Technical Specifications

Electrical Type	<b>Squirrel Cage Inverter Rated</b>	Starting Method	<b>Part Wdg Start Low Volt Only &amp; Wye Start Delta Run Or Inverter</b>
Poles	<b>4</b>	Rotation	<b>Reversible</b>
Resistance Main	<b>.18 Ohms</b>	Mounting	<b>Rigid Base</b>
Motor Orientation	<b>Horizontal</b>	Drive End Bearing	<b>Ball</b>
Opp Drive End Bearing	<b>Ball</b>	Frame Material	<b>Cast Iron</b>
Shaft Type	<b>T</b>	Shaft Diameter	<b>2.125 in</b>
Assembly/Box Mounting	<b>F1/F2 CAPABLE</b>	Inverter Load	<b>CONSTANT 10:1/VARIABLE 20:1</b>
Connection Drawing	<b>EE7358</b>	Outline Drawing	<b>SS312784-100</b>

This is an uncontrolled document once printed or downloaded and is subject to change without notice. Date Created:06/22/2023

DASH NO.	4		3				2		1			
	B	C	E	2E	2F	2FF	AG	AH	BA	BV	MOUNTING	FRAME
100	12.71	29.69	6.25	12.50	---	10.50	24.69	5.00	5.25	10.75	F1 OR F2	324TC
200	14.21	31.19			10.50	12.00	26.19			11.50		324/326TC



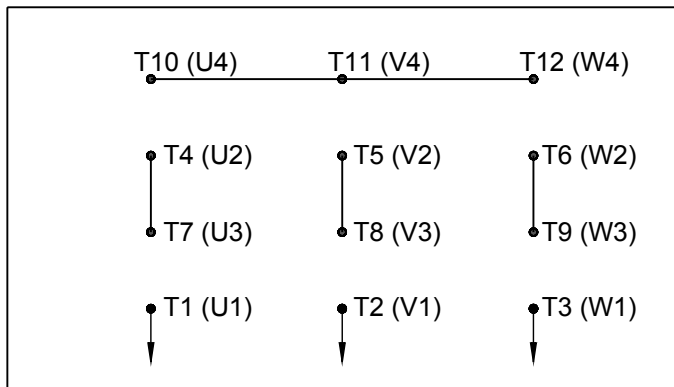
DRAWING REVISION C	REVISION BY ASHOK N	REV DATE/© DATE 22-09-2020
ECO ECO-0192950	APPROVED BY GNK	DATE 22-09-2020
ECO DESCRIPTION <b>DRAWING UPDATED</b> COPYRIGHT (PER REVISION DATE) REGAL BELOIT AMERICA, INC. ALL RIGHTS RESERVED. PROPRIETARY AND CONFIDENTIAL INFORMATION - THIS DOCUMENT IS THE PROPERTY OF REGAL BELOIT AMERICA, INC. ("OWNER") AND CONTAINS OWNER'S PROPRIETARY INFORMATION. ANY PERSON, CORPORATION OR OTHER FIRM RECEIVING IT IS DEEMED, BY RECEIVING IT, TO AGREE THAT IT, AND/OR ANY PART OF IT, SHALL NOT BE DISCLOSED TO ANY PERSON, CORPORATION OR OTHER ENTITY, DUPLICATED, AND/OR USED, EXCEPT AS EXPRESSLY APPROVED IN WRITING IN ADVANCE BY OWNER. THIS DOCUMENT SHALL BE RETURNED TO OWNER UPON REQUEST. IT MAY BE SUBJECT TO CERTAIN RESTRICTIONS UNDER APPLICABLE EXPORT CONTROL LAWS AND REGULATIONS.		

PRIMARY DIMENSIONS ARE INCH  
mm DIMENSIONS IN [BRACKETS]  
ARE FOR REFERENCE ONLY

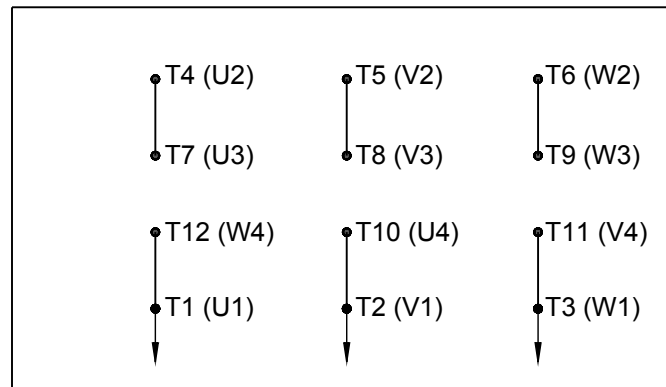
DRAWN BY NIV	Regal Beloit America, Inc.
DATE 29/03/2016	
APPROVED BY SBD	DESCRIPTION <b>OUTLINE</b> 324/326TC FR-NEMA-TEFC
DATE 29/03/2016	MATERIAL
REFERENCE	PROCESS/FINISH
THIRD ANGLE PROJECTION	SIZE B
	DRAWING NUMBER <b>SS312784</b>
	SHEET 1 OF 1

# HIGH VOLTAGE

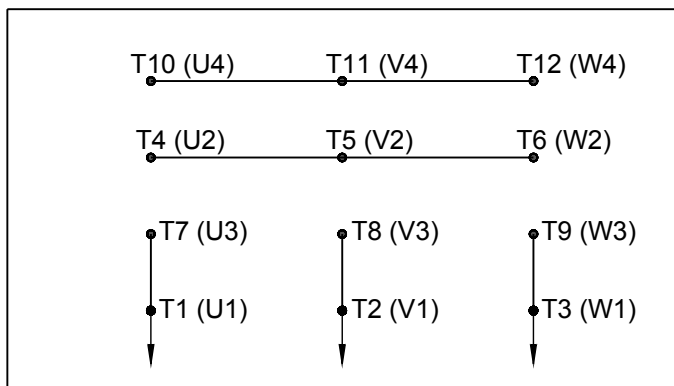
WYE START



DELTA RUN

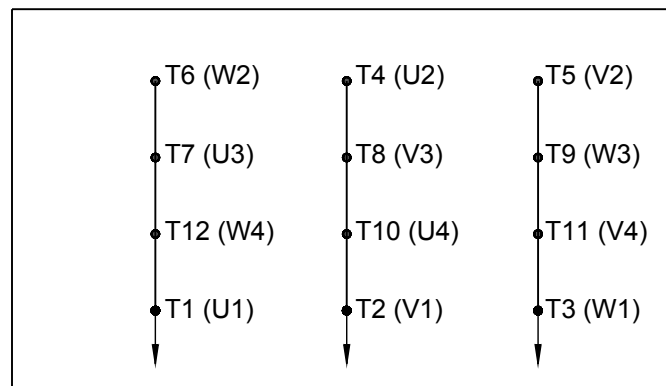


WYE START



# LOW VOLTAGE

DELTA RUN



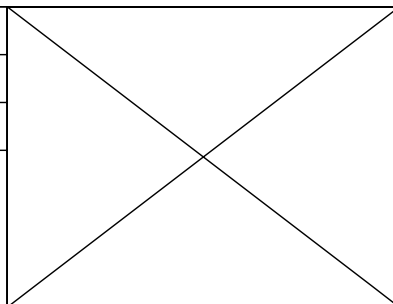
4/2 CKTY  $\triangle$

DRAWING REVISION D	REVISION BY JWO	DATE 01-26-2016
-----------------------	--------------------	--------------------

ECO ECO-0092547	APPROVED BY TB	DATE 01-26-2016
--------------------	-------------------	--------------------

ECO DESCRIPTION  
**ADDED IEC MARKINGS**

COPYRIGHT REGAL BELOIT AMERICA, INC. ALL RIGHTS RESERVED. PROPRIETARY AND CONFIDENTIAL INFORMATION - THIS DOCUMENT IS THE PROPERTY OF REGAL BELOIT AMERICA, INC. ("OWNER") AND CONTAINS OWNER'S PROPRIETARY INFORMATION. ANY PERSON, CORPORATION OR OTHER FIRM RECEIVING IT IS DEEMED, BY RECEIVING IT, TO AGREE THAT IT, AND/OR ANY PART OF IT, SHALL NOT BE DISCLOSED TO ANY PERSON, CORPORATION OR OTHER ENTITY, DUPLICATED, AND/OR USED, EXCEPT AS EXPRESSLY APPROVED IN WRITING IN ADVANCE BY OWNER. THIS DOCUMENT SHALL BE RETURNED TO OWNER UPON REQUEST. IT MAY BE SUBJECT TO CERTAIN RESTRICTIONS UNDER APPLICABLE EXPORT CONTROL LAWS AND REGULATIONS.



DRAWN BY BLR
-----------------

DATE 03-09-1998
--------------------

APPROVED BY GK
-------------------

DATE 03-23-1998
--------------------

REFERENCE
-----------

THIRD ANGLE PROJECTION
------------------------

<b>Regal Beloit America, Inc.</b>
-----------------------------------

DESCRIPTION <b>CONN DIAGRAM-EXTERNAL</b> 12 LEAD - DUAL VOLT. - WYE START - DELTA RUN
---

MATERIAL	PROCESS/FINISH
----------	----------------

SIZE A	DRAWING NUMBER EE7358	SHEET 1 OF 1
-----------	--------------------------	-----------------

## EC Declaration of Conformity

The undersigned representing  
the manufacturer:

Regal Beloit America  
100 East Randolph St.  
Wausau, WI 54401

and the authorized representative  
established within the Community:

Marathon Electric UK  
6F Thistleton Road Ind. Estate  
Market Overton  
Oakham, Rutland LE15 7PP UK

are committed to providing customers with products that comply with applicable regulations and international protocols to which they are subject, including the requirements of the European Parliament Directive on the Harmonization of the laws relating to electrical equipment designed for use within certain voltage limits (2014/35/EU).

Regal Beloit America declares that the following product(s), to which this declaration relates, are in conformity with the relevant sections of the EC standards listed below.

This statement supersedes any statements previously issued pertaining to the product(s) listed below and is subject to change without notice.

Model No : 324TTFCD6029

(Model No. may contain prefix and/or suffix characters)

Catalog No : GT1234A-P

Rework No : N/A

Directives :

Low Voltage Directive 2014/35/EU

Harmonized Standards Used :

EN 60034-1: 2010 (IEC 60034-1: 2010)

EN 60034-5: 2001/A1:2007 (IEC 60034-5: 2000/A1:2006)

Authorized Representative:



Michael A. Logsdon  
Vice President, Technology

Authorized Representative in the Community:



Julian Clark  
Marketing Engineer

Created on 09/01/2022

**CE 22**