

PRODUCT INFORMATION PACKET

marathon[®]
Motors

Model No: 324TTDP4348

Catalog No: U238

Close-Coupled Pump Motor, 40 & 30 HP, 3 Ph, 60 & 50 Hz, 230/460 & 190/380 V, 1800 & 1500 RPM,
324JP Frame, DP

Regal and Marathon are trademarks of Regal Rexnord Corporation or one of its affiliated companies.

©2023 Regal Rexnord Corporation, All Rights Reserved. MC017097E

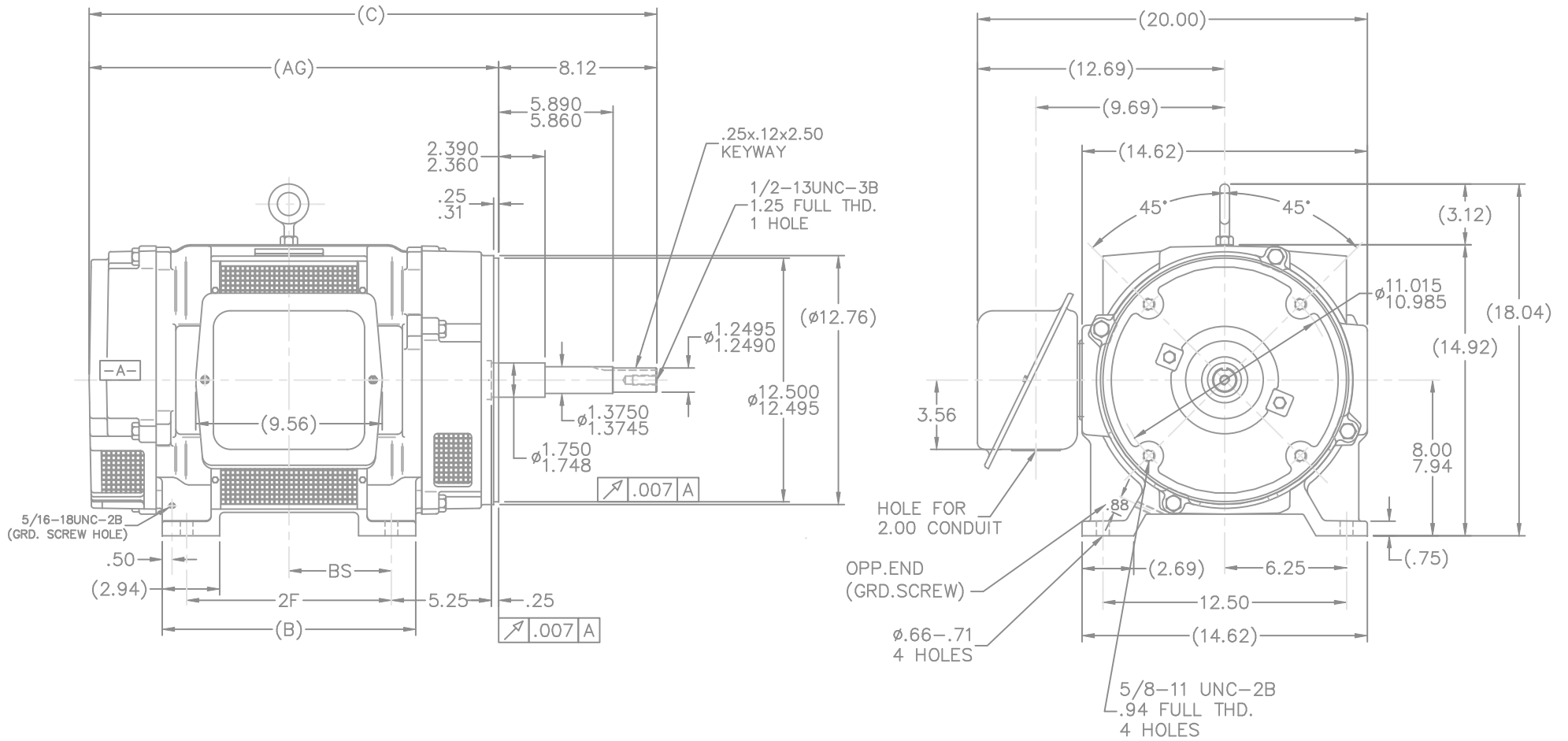
RegalRexnord

Nameplate Specifications

Phase	3	Output HP	40 & 30 Hp
Output KW	30.0 & 22.4 kW	Voltage	230/460 & 190/380 V
Speed	1770 & 1475 rpm	Service Factor	1.15 & 1.0
Frame	324JP	Enclosure	Drip Proof
Thermal Protection	No Protection	Efficiency	93 & 93 %
Ambient Temperature	40 °C	Frequency	60 & 50 Hz
Current	97/48.5 & 88/44 A	Power Factor	82.5
Duty	Continuous	Insulation Class	F
Design Code	B	KVA Code	F
Drive End Bearing Size	6312	Opp Drive End Bearing Size	6311
UL	Recognized	CSA	Y
CE	Y	IP Code	23
Number of Speeds	1		

Technical Specifications

Electrical Type	Squirrel Cage Induction Run	Starting Method	Across The Line
Poles	4	Rotation	Reversible
Resistance Main	.165 Ohms	Mounting	Rigid Base
Motor Orientation	Horizontal	Drive End Bearing	Ball
Opp Drive End Bearing	Ball	Frame Material	Cast Iron
Shaft Type	JP	Overall Length	29.12 in
Frame Length	13.62 in	Shaft Diameter	1.250 in
Shaft Extension	8.12 in	Assembly/Box Mounting	F1/F2 Capable
Outline Drawing	B-SS200378-1362	Connection Drawing	A-EE7308



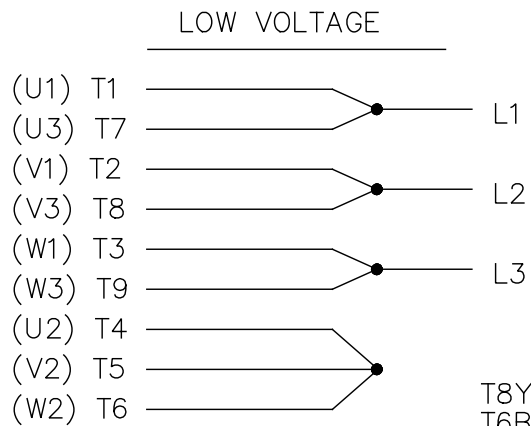
- NOTES:
 1. BOX CAN BE ROTATED IN 90° STEPS
 2. BOX CAN BE MOUNTED ON OPPOSITE SIDE BY REMOVING BRACKETS AND TURNING FRAME 180°
 3. NAMEPLATE TO BE READ FROM CONDUIT BOX SIDE OF MOTOR

DASH	FRAME	B	C	2F	BS	AG
1362	324JP	13.00	29.12	10.50	5.25	21.00
1512	326JP	14.50	30.62	12.00	6.00	22.50

				TOLERANCES UNLESS SPECIFIED		MARATHON ELECTRIC		DRAWN DA 05-22-1992			
				DEC.	INCHES			CHK	ML 05-26-1992		
7	REDRAWN IN AUTOCAD	TAT	07-13-2004	ML	.X	±.1			APPD	GK 05-26-1992	
6	ADDED .03 TO TOLERANCE BLOCK	CN 29200-1069	DRS 11-10-2000		.XX	±.03	TITLE OUTLINE - DR.PR. - CAST IRON		SCALE	1=5	
5	REVISED TO NEC CONDUIT BOX	CN 28428	NJS 02-16-2000		.XXX	±.005	320JP FR.-BB-TS D.E.V.-STL C' BOX-TDP		REF		
4	REMOVED UNDERCUTS	CN 21725-1139	DRS 12-10-1996		.XXXX	±.0005	MAT'L		FMF		
NO.	REVISION	BY & DATE		CHK	ANG	±'30"	FINISH	PREV			
THIS DRAWING IN DESIGN AND DETAIL IS OUR PROPERTY AND MUST NOT BE USED EXCEPT IN CONNECTION WITH OUR WORK ALL RIGHTS OF DESIGN AND INVENTION ARE RESERVED THIS IS AN ELECTRONICALLY GENERATED DOCUMENT - DO NOT SCALE THIS PRINT				RFP	CAD FILE ss200378			SIZE	DRAWING NO.	PAGE OF	REV.
				DIST	LB			B	SS200378	7	7

EE7308

THREE PHASE
DUAL VOLTAGE MOTOR



VIEW OF TERMINAL END

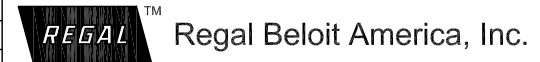
REF.
WINDING DIAGRAM

T8Y, T2Y, T2BL, T4BX, T2EC, T2G
T6BZ, T2B, T6BL, T4AV, T6B, T4B

OPTIONAL CORD
CONNECTION

L1 — WHITE
L2 — RED
L3 — BLACK

NO.	REVISION	BY & DATE	CHK	ANG	TOLERANCES UNLESS SPECIFIED		FINISH	DRAWING NO.	PAGE	OF	REV.
					DEC.	INCHES					
5	CHG TO REGAL LOGO	SL 09/10/2015	AB					EE7308			
4	REVISED IEC NOTATIONS	MSG 11/15/2011	CMN	.X	±.1						
3	ADDED IEC NOTATIONS... (U1), (V1) ETC. MU95194	MSG 5/10/2010	MJS	.XX	±.02						
2	ADDED THE OPTIONAL CORD CONNECTION MU46318	RDH 04/24/2003	DRS	.XXX	±.005						
1	REDRAWN	RM 11/20/1990		.XXXX	±.0005						
					±7'30"						
THIS DRAWING IN DESIGN AND DETAIL IS OUR PROPERTY AND MUST NOT BE USED EXCEPT IN CONNECTION WITH OUR WORK ALL RIGHTS OF DESIGN AND INVENTION ARE RESERVED THIS IS AN ELECTRONICALLY GENERATED DOCUMENT - DO NOT SCALE THIS PRINT							RFP	CAD FILE ee7308	SIZE A	DRAWING NO. EE7308	PAGE 5
							DIST WP				



TITLE CONNECTION DIAGRAM
3Ø - DUAL VOLTAGE MOTOR

DRAWN	RM	11/20/1990
CHK	ML	11/21/1990
APPD	SAS	04/24/2003
SCALE	1=1	
REF		
FMF		
PREV		