

PRODUCT INFORMATION PACKET

marathon[®]
Motors

Model No: 324TTDP4033

Catalog No: U239

40 HP Close-Coupled Pump Motor, 3 phase, 1800 RPM, 575 V, 324JP Frame, ODP
Close-Coupled Pump Motors

Regal and Marathon are trademarks of Regal Rexnord Corporation or one of its affiliated companies.
©2021 Regal Rexnord Corporation, All Rights Reserved. MC017097E

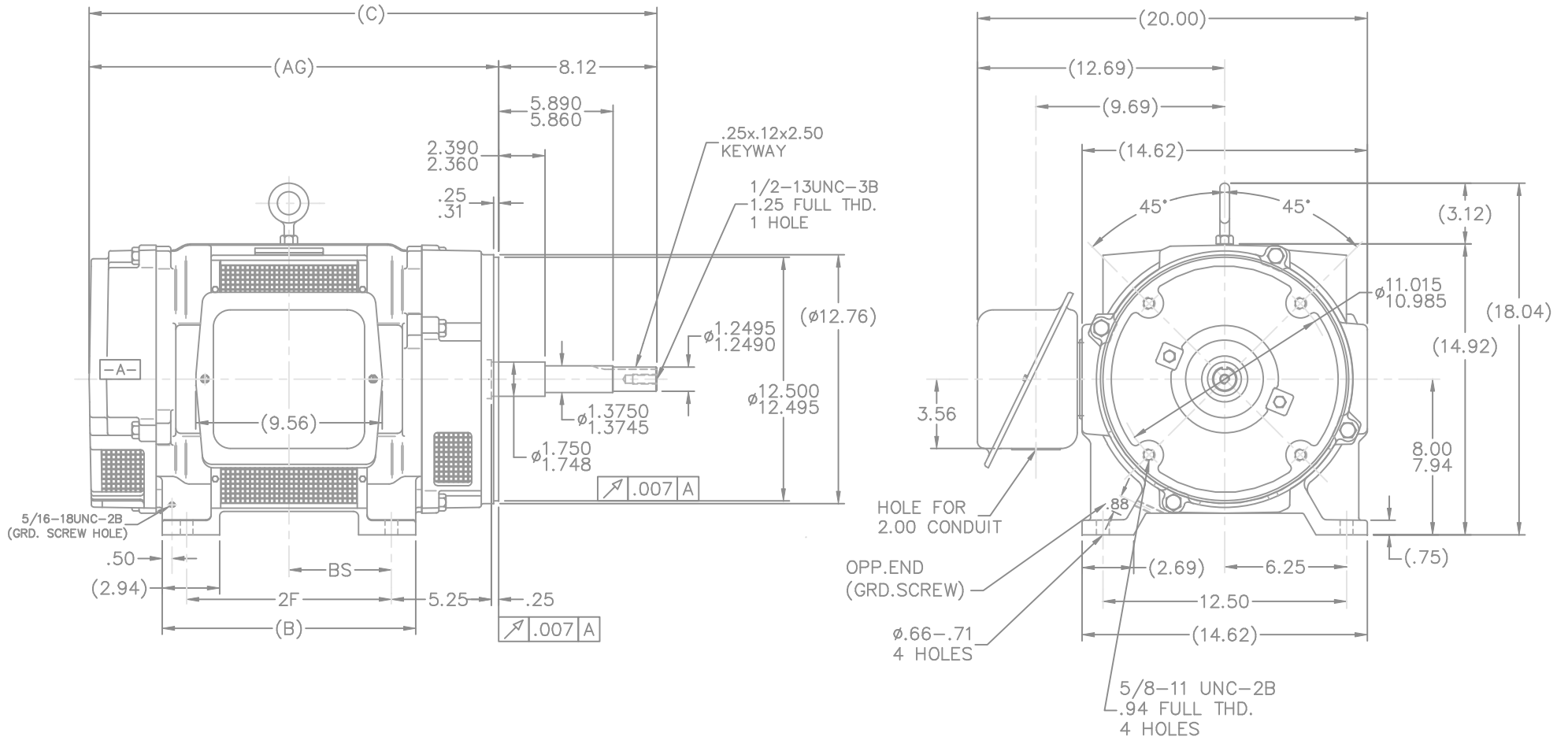
The logo for Regal Rexnord, featuring a stylized 'R' icon followed by the text 'RegalRexnord'.

Nameplate Specifications

| | | | |
|------------------------|-------------------|----------------------------|-------------------|
| Output HP | 40 Hp | Output KW | 30.0 kW |
| Frequency | 60 Hz | Voltage | 575 V |
| Current | 39.0 A | Speed | 1770 rpm |
| Service Factor | 1.15 | Phase | 3 |
| Efficiency | 93 % | Power Factor | 82.5 |
| Duty | Continuous | Insulation Class | F |
| Design Code | B | KVA Code | F |
| Frame | 324JP | Enclosure | Drip Proof |
| Thermal Protection | No | Ambient Temperature | 40 °C |
| Drive End Bearing Size | 312 | Opp Drive End Bearing Size | 311 |
| UL | Recognized | CSA | Y |
| CE | Y | IP Code | 23 |
| Number of Speeds | 1 | | |

Technical Specifications

| | | | |
|-----------------------|------------------------------------|-----------------------|------------------------|
| Electrical Type | Squirrel Cage Induction Run | Starting Method | Across The Line |
| Poles | 4 | Rotation | Reversible |
| Resistance Main | .165 Ohms | Mounting | Rigid Base |
| Motor Orientation | Horizontal | Drive End Bearing | Ball |
| Opp Drive End Bearing | Ball | Frame Material | Cast Iron |
| Shaft Type | JP | Overall Length | 29.12 in |
| Frame Length | 13.62 in | Shaft Diameter | 1.250 in |
| Shaft Extension | 8.12 in | Assembly/Box Mounting | F1/F2 CAPABLE |
| Connection Drawing | A-EE7300 | Outline Drawing | B-SS200378-1362 |



- NOTES:
 1. BOX CAN BE ROTATED IN 90° STEPS
 2. BOX CAN BE MOUNTED ON OPPOSITE SIDE BY REMOVING BRACKETS AND TURNING FRAME 180°
 3. NAMEPLATE TO BE READ FROM CONDUIT BOX SIDE OF MOTOR

| DASH | FRAME | B | C | 2F | BS | AG |
|------|-------|-------|-------|-------|------|-------|
| 1362 | 324JP | 13.00 | 29.12 | 10.50 | 5.25 | 21.00 |
| 1512 | 326JP | 14.50 | 30.62 | 12.00 | 6.00 | 22.50 |

| | | | | TOLERANCES UNLESS SPECIFIED | | MARATHON ELECTRIC | DRAWN DA 05-22-1992 | | | | | |
|--|------------------------------|---------------|----------------|-----------------------------|--------|-------------------|---------------------|---------------|-------------|------|----|------|
| | | | | DEC. | INCHES | | CHK | ML 05-26-1992 | | | | |
| 7 | REDRAWN IN AUTOCAD | TAT | 07-13-2004 | ML | .X | ±.1 | APPD | GK 05-26-1992 | | | | |
| 6 | ADDED .03 TO TOLERANCE BLOCK | CN 29200-1069 | DRS 11-10-2000 | | .XX | ±.03 | SCALE | 1=5 | | | | |
| 5 | REVISED TO NEC CONDUIT BOX | CN 28428 | NJS 02-16-2000 | | .XXX | ±.005 | REF | | | | | |
| 4 | REMOVED UNDERCUTS | CN 21725-1139 | DRS 12-10-1996 | | .XXXX | ±.0005 | FMF | | | | | |
| NO. | REVISION | BY & DATE | | CHK | ANG | FINISH | PREV | | | | | |
| THIS DRAWING IN DESIGN AND DETAIL IS OUR PROPERTY AND MUST NOT BE USED EXCEPT IN CONNECTION WITH OUR WORK ALL RIGHTS OF DESIGN AND INVENTION ARE RESERVED THIS IS AN ELECTRONICALLY GENERATED DOCUMENT - DO NOT SCALE THIS PRINT | | | | RFP | | CAD FILE | ss200378 | SIZE | DRAWING NO. | PAGE | OF | REV. |
| | | | | DIST | LB | | | B | SS200378 | 7 | | |

**THREE PHASE - SINGLE VOLTAGE
MOTOR - CONDUIT BOX @ 'A'**

**TO REVERSE ROTATION:
INTERCHANGE ANY TWO
LINE LEAD CONNECTIONS.**

TERMINAL BLOCK WHEN SPECIFIED



VIEW OF TERMINAL END

**IF MOTOR HAS
6 LEADS**



A-9806 DECAL

**OPTIONAL CORD
CONNECTION**



| | | |
|---|---------------------------|---------------------------|
| DRAWING REVISION AB | REVISION BY JJB | DATE 06-27-2017 |
| ECO ECO-0125361 | APPROVED BY TB | DATE 06-27-2017 |
| ECO DESCRIPTION UPDATED TO CURRENT STANDARDS | | |
| <small>COPYRIGHT REGAL BELOIT AMERICA, INC. ALL RIGHTS RESERVED. PROPRIETARY AND CONFIDENTIAL INFORMATION - THIS DOCUMENT IS THE PROPERTY OF REGAL BELOIT AMERICA, INC. ("OWNER") AND CONTAINS OWNER'S PROPRIETARY INFORMATION. ANY PERSON, CORPORATION OR OTHER FIRM RECEIVING IT IS DEEMED, BY RECEIVING IT, TO AGREE THAT IT, AND/OR ANY PART OF IT, SHALL NOT BE DISCLOSED TO ANY PERSON, CORPORATION OR OTHER ENTITY, DUPLICATED, AND/OR USED, EXCEPT AS EXPRESSLY APPROVED IN WRITING IN ADVANCE BY OWNER. THIS DOCUMENT SHALL BE RETURNED TO OWNER UPON REQUEST. IT MAY BE SUBJECT TO CERTAIN RESTRICTIONS UNDER APPLICABLE EXPORT CONTROL LAWS AND REGULATIONS.</small> | | |



| |
|---------------------------|
| DRAWN BY DA |
| DATE 03-26-1993 |
| APPROVED BY TB |
| DATE 03-26-1993 |
| REFERENCE |
| THIRD ANGLE PROJECTION |

| | |
|---|---------------------------------|
| Regal Beloit America, Inc. | |
| DESCRIPTION CONNECTION DIAGRAM EXTERNAL - SINGLE VOLTAGE - 3Ø MOTOR | |
| MATERIAL | PROCESS/FINISH |
| SIZE A | DRAWING NUMBER EE7300 |
| SHEET 1 OF 1 | |